

注記 NOTES:

1. 使用材料 MATERIAL

ウエハー：液晶ポリマー (LCP) ガラス充填 UL94V-0 (黒) $\triangle 3$
 WAFER: LIQUID CRYSTAL POLYMER (GLASS FILLED)
 UL94V-0 (COLOR:BLACK)
 ピン：黄銅 (t=0.12)
 PIN: BRASS (t=0.12)
 金具：リン青銅 (t=0.2)
 FITTING NAIL: PHOSPHOR BRONZE (t=0.2)

2. メッキ仕様 PLATING

ターミナル/TERMINAL
 コンタクト部：金めっき (0.381 μ m以上)
 CONTACT AREA: GOLD PLATING
 (0.381 MICROMETER MINIMUM)
 テール部：金めっき
 SOLDER TAIL AREA: GOLD PLATING
 下地メッキ：ニッケルメッキ 1.5 マイクロメートル以上
 UNDER PLATING : NICKEL 1.5MICROMETER MINIMUM

金具 FITTING NAIL

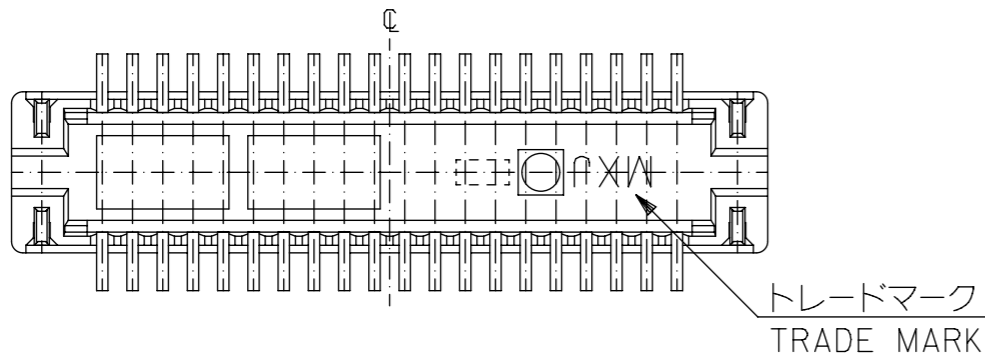
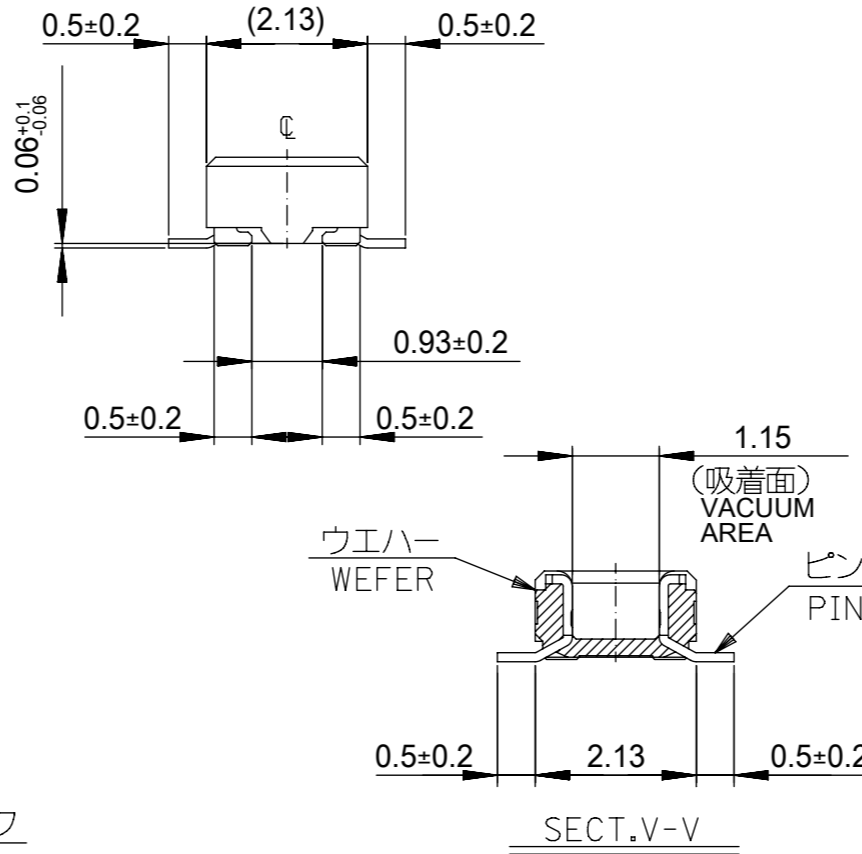
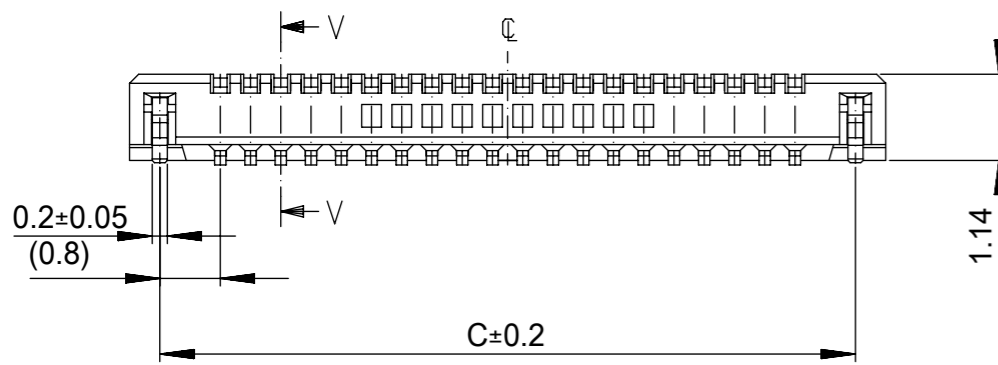
錫メッキ 1.0 マイクロメートル以上
 TIN PLATING 1.0MICROMETER MINIMUM
 下地メッキ：ニッケルメッキ 1.0 マイクロメートル以上
 UNDER PLATING : NICKEL 1.0MICROMETER MINIMUM

$\triangle 3$ (全極数/2) = 偶数の場合に適用。
 APPLY FOR (CIRCUIT/2)=EVEN.

4. 嵌合相手：51338シリーズ
 MATE WITH : 51338 SERIES.

5. テール平坦度は、0.08以下
 テール及び金具の平坦度は、0.1以下
 TAIL COPLANARITY TO BE 0.08 MAXIMUM
 TAIL AND FITTING NAIL
 COPLANARITY TO BE 0.1 MAXIMUM

6. 本製品は 55909-**39 の鉛フリー品である。
 THIS PRODUCT IS LEAD FREE OF 55909-**39



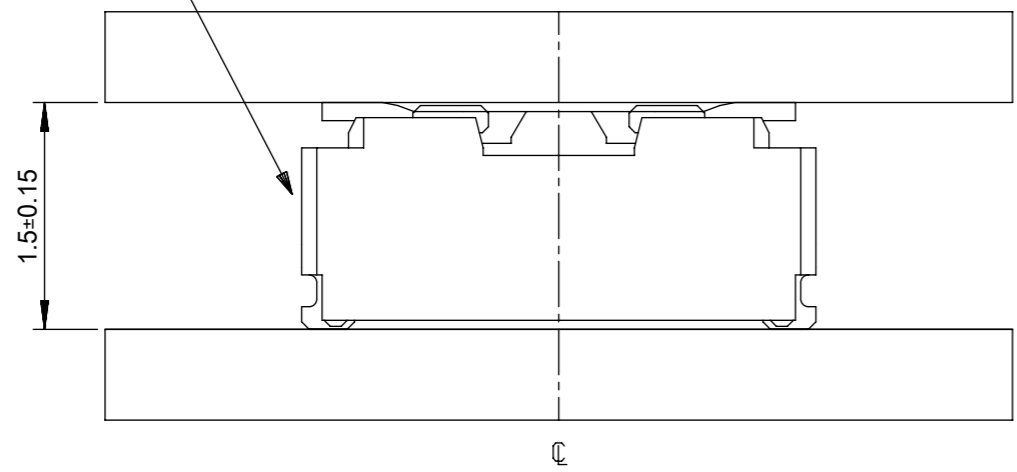
21.2	19.6	22.0	55909-1074	100
19.2	17.6	20.0	55909-0974	90
17.2	15.6	18.0	55909-0874	80
15.2	13.6	16.0	55909-0774	70
13.2	11.6	14.0	55909-0674	60
11.2	9.6	12.0	55909-0574	50
9.2	7.6	10.0	55909-0474	40
8.0	6.4	8.8	55909-3474	34
7.2	5.6	8.0	55909-0374	30
6.4	4.8	7.2	55909-2674	26
17.2	15.6	18.0	55909-0840	80
9.2	7.6	10.0	55909-0440	40
5.2	3.6	6.0	55909-0240	20
C	B	A	EMBOSSED TAPE PKG. ORDER No. オーダー番号	CKT.
CONNECTOR SERIES NO.			55909-**39	

THIS DRAWING CONTAINS INFORMATION THAT IS PROPRIETARY TO MOLEX ELECTRONIC TECHNOLOGIES, LLC AND SHOULD NOT BE USED WITHOUT WRITTEN PERMISSION

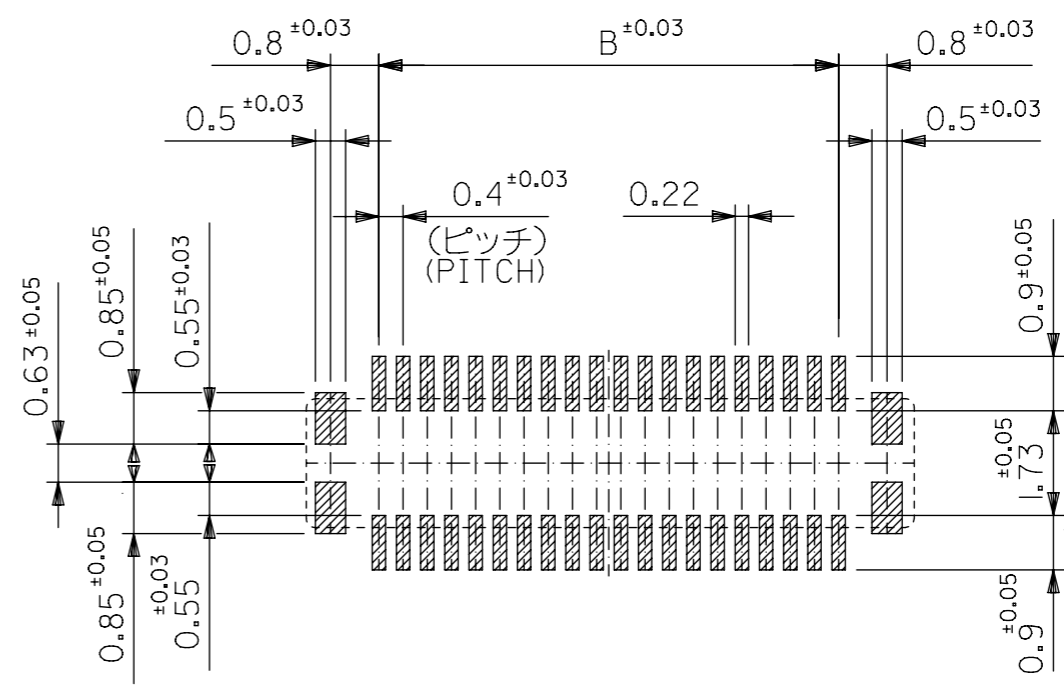
GENERAL TOLERANCES (UNLESS SPECIFIED)			
0.25	UNDER	UNDER	± 0.03
0.25	OVER	0.5 UNDER	± 0.05
0.5	OVER	1.0 UNDER	± 0.1
1.0	OVER	10 UNDER	± 0.2
10	OVER	30 UNDER	± 0.25
30	OVER		± 0.3

CURRENT REV DESC:		molex	
EC NO: 739909		0.4 B-TO-B CONN. PLUG ASSY (HGT=1.5) WITH NAIL -LEAD FREE-	
DRWN: RAJMOK	2023/02/21	PRODUCT CUSTOMER DRAWING	
CHK'D: HSHIMOYAMA	2023/02/23	DOCUMENT NUMBER	
APPR: YNAITO	2023/02/23	SD-55909-007	
INITIAL REVISION:		DOC TYPE	DOC PART
DRWN: YSHIDA	2015/01/16	PSD	001
APPR: KMORIKAWA	2015/02/18	REVISION	B
DRAFT WHERE APPLICABLE MUST REMAIN WITHIN DIMENSIONS		MATERIAL NUMBER	CUSTOMER
THIRD ANGLE PROJECTION		SEE TABLE	GENERAL MARKET
DRAWING		SHEET NUMBER	1 OF 2
A3-SIZE		SERIES	55909

嵌合相手
MATE WITH
51338-****



嵌合断面図 (参考)
MATED DRAWING (REFERENCE)



参考基板レイアウト (マウント面)
P.C.BOARD PATTERN DIMENSION.
(REFERENCE)
(MOUNTING AREA)

55909- **39 MODEL NO.

THIS DRAWING CONTAINS INFORMATION THAT IS PROPRIETARY TO MOLEX ELECTRONIC TECHNOLOGIES, LLC AND SHOULD NOT BE USED WITHOUT WRITTEN PERMISSION

GENERAL TOLERANCES (UNLESS SPECIFIED)			
0.25	UNDER	UNDER	± 0.03
0.25	OVER	0.5 UNDER	± 0.05
0.5	OVER	1.0 UNDER	± 0.1
1.0	OVER	10 UNDER	± 0.2
10	OVER	30 UNDER	± 0.25
30	OVER		± 0.3

DIMENSION UNITS	SCALE
mm	NTS

GENERAL TOLERANCES (UNLESS SPECIFIED)			
ANGULAR TOL	±	3.0°	
4 PLACES	±		
3 PLACES	±		
2 PLACES	±		
1 PLACE	±		
0 PLACES	±		

CURRENT REV DESC:

EC NO: 739909
 DRWN: RAJMOK 2023/02/21
 CHK'D: HSHIMOYAMA 2023/02/23
 APPR: YNAITO 2023/02/23

INITIAL REVISION:
 DRWN: YSHIDA 2015/01/16
 APPR: KMORIKAWA 2015/02/18

THIRD ANGLE PROJECTION

DRAWING: A3-SIZE
 SERIES: 55909
 MATERIAL NUMBER: SEE SHEET-1
 CUSTOMER: GENERAL MARKET
 SHEET NUMBER: 2 OF 2

molex

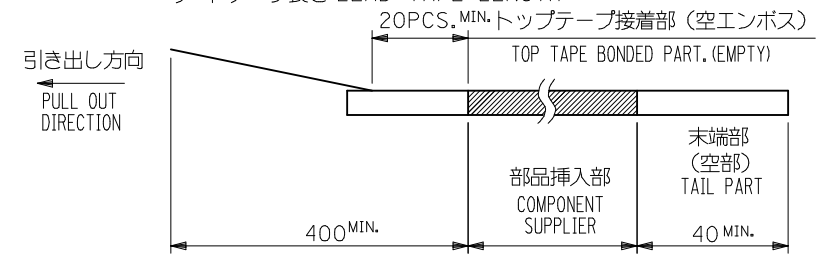
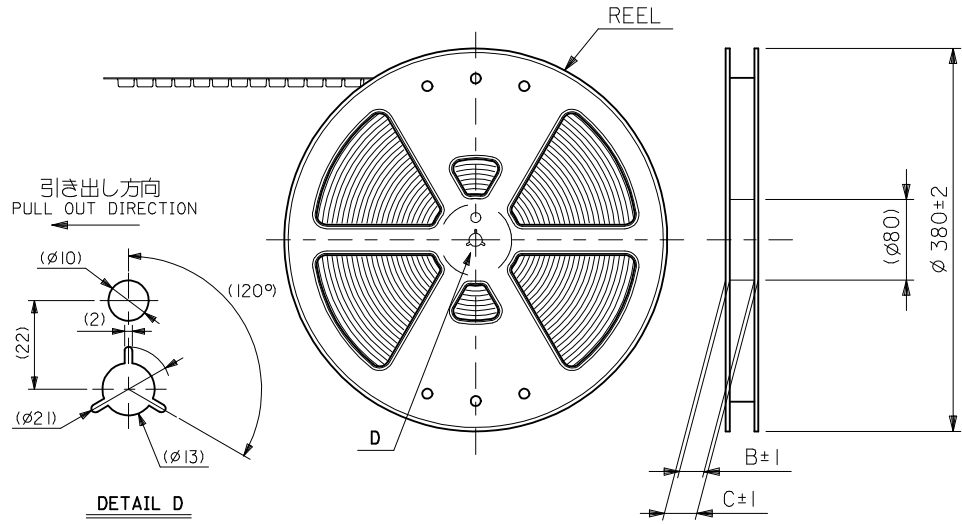
0.4 B-TO-B CONN. PLUG
 ASSY (HGT=1.5) WITH NAIL -LEAD FREE-

PRODUCT CUSTOMER DRAWING

DOCUMENT NUMBER: SD-55909-007
 DOC TYPE: PSD
 DOC PART: 001
 REVISION: B

NOTES

- 製品詳細寸法については製品単体図面を参照下さい。
RE DETAILED DIMENSION, SEE PRODUCT DRAWING.
- 梱包数量：2500個/リール
NUMBER OF CONNECTORS : 2500PCS/REEL
- リードテープ長さ LEAD TAPE LENGTH
20PCS. MIN. トップテープ接着部 (空エンボス)
TOP TAPE BONDED PART. (EMPTY)
部品挿入部
COMPONENT SUPPLIER
末端部 (空部)
TAIL PART
400 MIN. 40 MIN.
- トップテープの剥離強度については、IEC60286-3 に準拠。
TOP TAPE PEEL FORCE IS DEFINED BY IEC60286-3.
- 材料 MATERIAL
キャリアテープ (CARRIER TAPE) : ポリプロピレン (POLYPROPYLENE)
トップテープ (TOP TAPE) : PET, PE, PEF
リール (REEL) : ポリスチレン (PS) <リサイクル材を含む>
POLYSTYRENE (PS) <RECYCLE MATERIAL CONTAINED>
- ELV 及び RoHS 適合品。
ELV AND RoHS COMPLIANT.



CONNECTOR SERIES No. 55909-**39

RELEASED EC NO: J2015-0916 DRWN: YISHIDA 2015/01/15 CHKD: TASAKAWA 2015/01/15 APPR: KMORIKAWA 2015/02/18	GENERAL TOLERANCES (UNLESS SPECIFIED)			DIMENSION STYLE MM ONLY		SCALE ---	DESIGN UNITS METRIC	THIRD ANGLE PROJECTION	
	0.25 UNDER	UNDER	±0.03	DRAWN BY	DATE	TITLE			
	0.25 OVER	0.5 UNDER	±0.05	YISHIDA	2015/01/15	0.4 B-TO-B CONN PLUG ASSY(HGT=1.5) EMBSTP PKG			
	0.5 OVER	1.0 UNDER	±0.1	CHECKED BY	DATE				
	1.0 OVER	10 UNDER	±0.2	TASAKAWA	2015/01/15	molex			
	10 OVER	30 UNDER	±0.25	APPROVED BY	DATE				
30 OVER		±0.3	KMORIKAWA	2015/02/18	MATERIAL NO.		DOCUMENT NO.	SHEET NO.	
ANGULAR	±3 °		SEE CHART		SD-55909-008		1 OF 3		
DRAFT WHERE APPLICABLE MUST REMAIN WITHIN DIMENSIONS				SIZE A3	THIS DRAWING CONTAINS INFORMATION THAT IS PROPRIETARY TO MOLEX INCORPORATED AND SHOULD NOT BE USED WITHOUT WRITTEN PERMISSION				

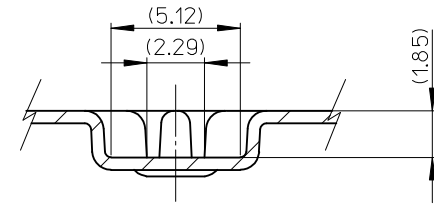
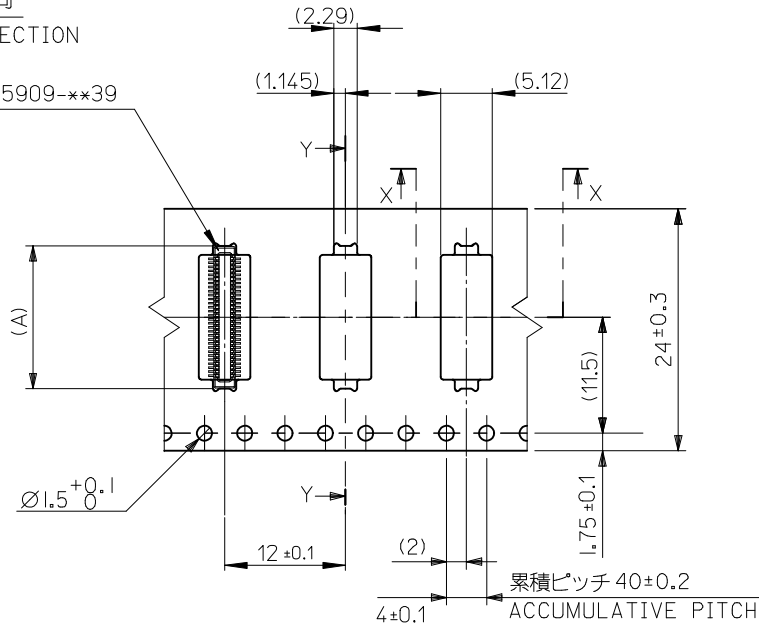
引き出し方向
PULL OUT DIRECTION

トップテープ
TOP TAPE

55909-***39

0.5±0.05
(2.6)

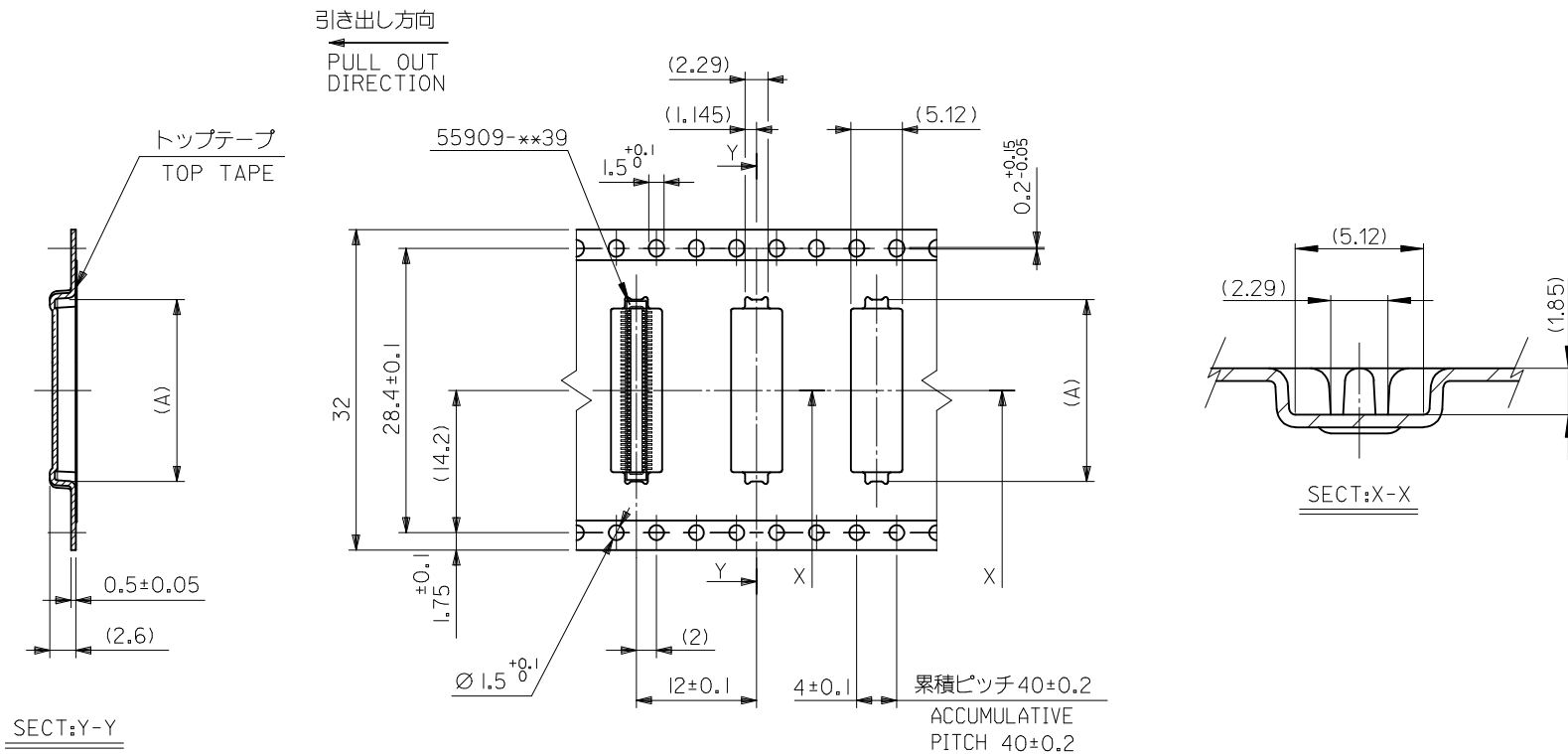
SECT. Y-Y



24	29.4	25.4	10.16 6.16	55909-0440 55909-0240	40 20
キャリアテープ幅 CARRIER TAPE WIDTH	C	B	(A)	MATERIAL NO.	CKT

CONNECTOR SERIES No. 55909-***39

SEE SHEET 1 OF 3 EC NO: J2015-0916 DRWN: YISHIDA 2015/01/16 CHKD: TASAKAWA 2015/01/16 APPR: KMORIKAWA 2015/02/18	GENERAL TOLERANCES (UNLESS SPECIFIED)		DIMENSION STYLE MM ONLY		SCALE ---	DESIGN UNITS METRIC	THIRD ANGLE PROJECTION
	0.25 UNDER	UNDER	±0.03	DRAWN BY	DATE	TITLE	
	0.25 OVER	0.5 UNDER	±0.05	YISHIDA	2015/01/16	0.4 B-T0-B CONN PLUG ASSY(HGT=1.5) EMBSTP PKG	
	0.5 OVER	1.0 UNDER	±0.1	CHECKED BY	DATE	molex	
	1.0 OVER	10 UNDER	±0.2	TASAKAWA	2015/01/16	DOCUMENT NO.	SHEET NO.
10 OVER	30 UNDER	±0.25	APPROVED BY	DATE	SD-55909-008	2 OF 3	
30 OVER		±0.3	KMORIKAWA	2015/02/18	SEE CHART		
ANGULAR	±3 °		MATERIAL NO.		THIS DRAWING CONTAINS INFORMATION THAT IS PROPRIETARY TO MOLEX INCORPORATED AND SHOULD NOT BE USED WITHOUT WRITTEN PERMISSION		
DRAFT WHERE APPLICABLE MUST REMAIN WITHIN DIMENSIONS			SIZE A3				



32mm幅キャリアテープ
32mm WIDTH CARRIER TAPE

32	37.4	33.4	18.16	55909-0840	80
キャリアテープ幅 CARRIER TAPE WIDTH	C	B	(A)	MATERIAL NO.	極数 CKT.

SEE SHEET 10F 3 EC NO: J2015-0916 DRWN: YISHIDA 2015/01/16 CHKD: TASAKAWA 2015/01/16 APPR: KMORIKAWA 2015/02/18	GENERAL TOLERANCES (UNLESS SPECIFIED)		DIMENSION STYLE MM ONLY		SCALE ---	DESIGN UNITS METRIC	MODEL NO. 55909-**39	THIRD ANGLE PROJECTION
	0.25 UNDER	UNDER	±0.03	DRAWN BY	DATE	TITLE		
	0.25 OVER	0.5 UNDER	±0.05	YISHIDA	2015/01/16	0.4 B-TO-B CONN PLUG ASSY(HGT=1.5) EMBSTP PKG		
	0.5 OVER	1.0 UNDER	±0.1	CHECKED BY	DATE	molex DOCUMENT NO. SD-55909-008 SHEET NO. 3 OF 3		
	1.0 OVER	10 UNDER	±0.2	TASAKAWA	2015/01/16			
10 OVER	30 UNDER	±0.25	APPROVED BY	DATE	SEE CHART			
30 OVER		±0.3	KMORIKAWA	2015/02/18	MATERIAL NO.			
ANGULAR	±3 °		DRAFT WHERE APPLICABLE MUST REMAIN WITHIN DIMENSIONS		SIZE A3	THIS DRAWING CONTAINS INFORMATION THAT IS PROPRIETARY TO MOLEX INCORPORATED AND SHOULD NOT BE USED WITHOUT WRITTEN PERMISSION		