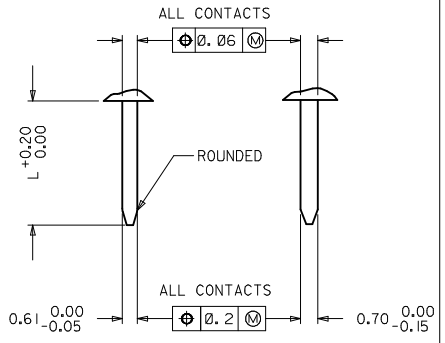
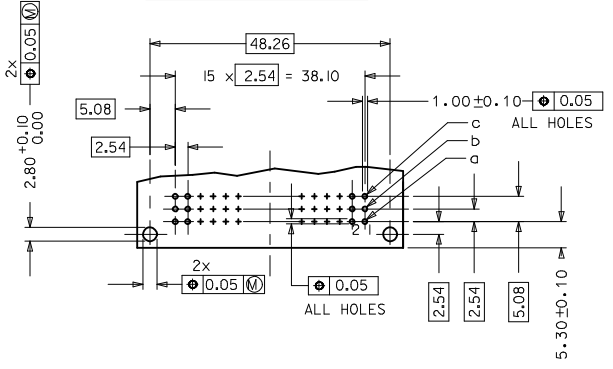


DETAILY DETAILX

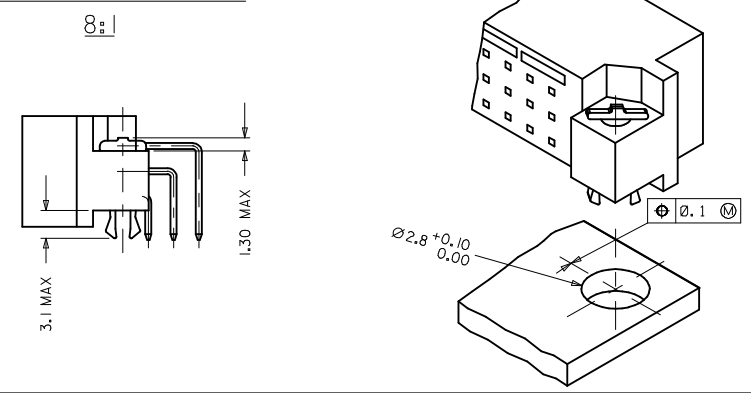


RECOMMENDED PCB LAYOUT
COMPONENT SIDE



PRE MATING CONTACTS	5.4
NORMAL CONTACTS	4.8
	L

WITH MOUNTING CLIPS



- NOTES:
- MATERIALS: THERMX (PCT), GLASS FILLED, UL94V-0, COLOUR: NATURAL
TERMINAL - BRASS
MOUNTING CLIP: STEEL
 - FINISH: TERMINAL:- CONTACT AREA
 - PERFORMANCE LEVEL 1: SELECTIVE GOLD (Au), THICKNESS = 1.1 MICROMETER OVER NICKEL, THICKNESS = 1.25 MICROMETER
 - PERFORMANCE LEVEL 2: SELECTIVE GOLD (Au), THICKNESS = 0.6 MICROMETER OVER NICKEL, THICKNESS = 1.25 MICROMETER
 - PERFORMANCE LEVEL 3: SELECTIVE GOLD (Au), THICKNESS = 0.3 MICROMETER OVER NICKEL, THICKNESS = 1.25 MICROMETER
 TERMINATION AREA:
SELECTIVE TIN, THICKNESS = 2.5 MICROMETER
OVER NICKEL, THICKNESS = 1.25 MICROMETER OVERALL
 - MOUNTING CLIP:-
TIN (Sn), THICKNESS = 5-10 MICROMETER,
OVER NICKEL (Ni), THICKNESS = 2.5 MICROMETER
 - FOR NON MOUNTING CLIP OPTION, CONNECTOR TO BE SECURED WITH RIVETS: 2 TUBULAR RIVETS 2.5 x 0.3 ... DIN 7340
SCREWS: 2 CHEESEHEAD SCREWS M2.5 x ... DIN 84 AND 2 HEXAGONAL NUTS M2.5 DIN 934
 - STANDARD MARKING: MOLEX, MATERIAL NUMBER, BATCH CODE,
 - CUT FACE OF TIP WITHOUT PLATING PERMITTED
 - PRODUCT SPECIFICATION PS : 85003-0001

RoHS COMPLIANT

EC NO: I2007-0172 DRAWN BY: JAYENGG 2008/06/07 CHKD BY: SUDHIR 2008/06/19 APPR: KRASAO 2009/01/22	QUALITY SYMBOLS	GENERAL TOLERANCES (UNLESS SPECIFIED)	DIMENSION STYLE	SCALE	DESIGN UNITS	THIRD ANGLE PROJECTION
	▽=0	mm INCH	MM ONLY	2:1	METRIC	
	▽=0	4 PLACES ± 0.05	DRAWN BY: NS	DATE: 2001/05/14	TITLE: 48 POS. MALE CONNECTOR ACC. DIN 41612 STYLE C/2 CONTACTS	
		3 PLACES ± 0.05	CHECKED BY: GJLOWE	DATE: 2001/05/14	MOLEX INCORPORATED	
	2 PLACES ± 0.1	APPROVED BY: GJLOWE	DATE: 2001/05/14	DOCUMENT NO. SD-85003-0002		SHEET NO. 4 OF 4
	1 PLACE ± 0.15	ANGULAR ± 2°	MATERIAL NO.	THIS DRAWING CONTAINS INFORMATION THAT IS PROPRIETARY TO MOLEX INCORPORATED AND SHOULD NOT BE USED WITHOUT WRITTEN PERMISSION		
			SIZE A1			

20 19 18 17 16 15 14 13 12 11 9 8 7 6 5 4 3 2 1

VIEW ON MATING SIDE

⊙	X	C	C	C	C	C	C	C	C	C	C	C	C	C	C	X
⊙	Y	B	B	B	B	B	B	B	B	B	B	B	B	B	B	Y
⊙	Z	A	A	A	A	A	A	A	A	A	A	A	A	A	A	Z
	16	15	14	13	12	11	10	9	8	7	6	5	4	3	2	1

A = 14 STANDARD CONTACTS L= 3,0
 B = 14 STANDARD CONTACTS L= 3,0
 C = 14 STANDARD CONTACTS L= 3,0
 Z = 2 FMLB CONTACTS +0,6 L= 3,0
 Y = 2 FMLB CONTACTS +0,6 L= 3,0
 X = 2 FMLB CONTACTS +0,6 L= 3,0
 S = 48 TOTAL NUMBER OF CONTACTS

MARKING	STANDARD
PERFORMANCE LEVEL	G2/O = CONTACT AREA LEVEL2 / TERMINATION TIN
FLUX PROOF	NO
FIXING CLIP	YES
DIMENSIONS	SD-85003-0002 SHT 4

X	G2/O	c1,16
Y	G2/O	b1,16
Z	G2/O	a1,16
C	G2/O	c2-15
B	G2/O	b2-15
A	G2/O	a2-15
CONTACT SYMBOL	PERFORMANCE LEVEL	CONTACT POSITION NUMBER

EC NO. I 2004-XXXX DRAWN BY 09/09/03 CHK'd G.L. 09/09/03 APPR'd L. 09/09/03	QUALITY SYMBOLS MAJOR CRITICAL	GENERAL TOLERANCES: (UNLESS SPECIFIED): mm INCH 4 PLACES ±0. ±. 3 PLACES ±0. ±. 2 PLACES ±0. ±. 1 PLACE ±0. ±.	SCALE DESIGN UNITS <input checked="" type="checkbox"/> MM <input type="checkbox"/> INCH	DRAWN BY & DATE N.S. 14/05/01 CHECKED BY & DATE G.L. 14/05/01 APPROVED BY & DATE G.L. 14/05/01	DIMENSIONS: <input type="checkbox"/> MM <input type="checkbox"/> INCH <input checked="" type="checkbox"/> INCH ONLY THIRD ANGLE PROJECTION	SHT 1 REV REVISE ON CAD ONLY	
	CAD FILENAME SD-85003-7093.S0	MATERIAL NO. 85003-7093	DRAWING NO. SD-85003-7093	SHEET NO. 1 OF 1	SIZE D	MOLEX INCORPORATED	
	DRAFT WHERE APPLICABLE MUST REMAIN WITHIN DIMENSIONS		THIS DRAWING CONTAINS INFORMATION THAT IS PROPRIETARY TO MOLEX INCORPORATED AND SHOULD NOT BE USED WITHOUT WRITTEN PERMISSION.				
	THIS DRAWING CONTAINS INFORMATION THAT IS PROPRIETARY TO MOLEX INCORPORATED AND SHOULD NOT BE USED WITHOUT WRITTEN PERMISSION.						

19 18 17 16 15 14 13 12 11 10 9 8 7 6 5 4 3 2 1