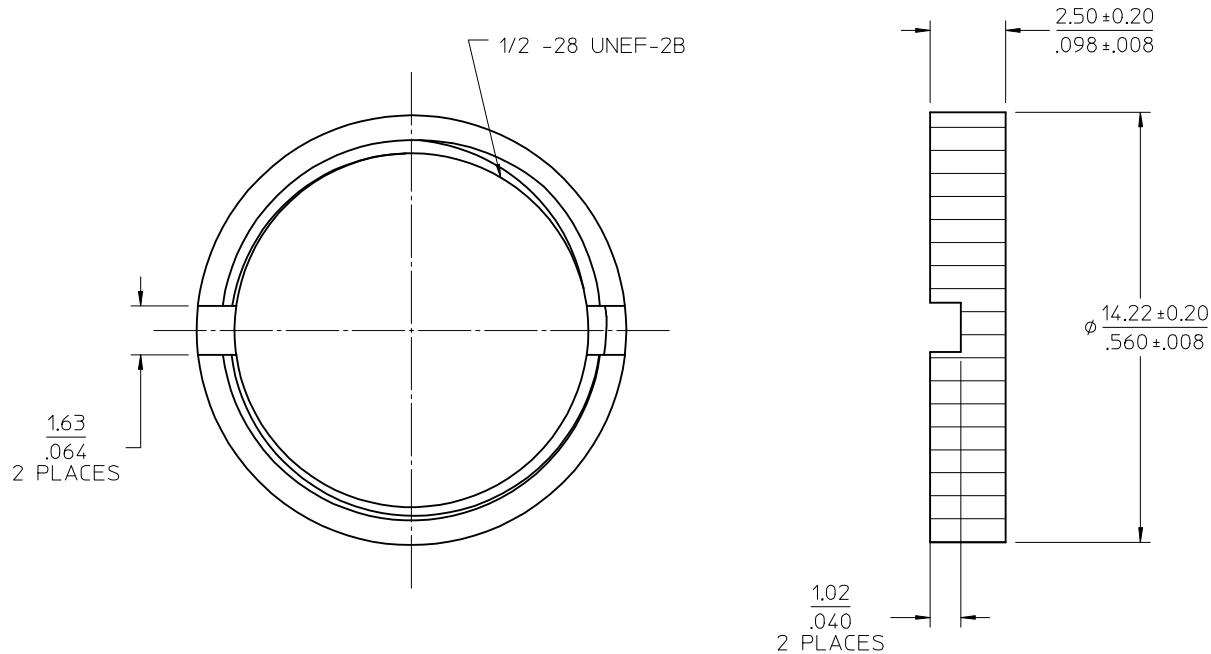
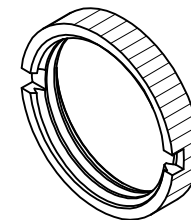


MATERIALS AND FINISHES:

JAM NUT: BRASS
 PLATED SEE TABLE



89519-4704	TIN
89519-4703	TRI-M3
89519-4702	GOLD
89519-4701	NICKEL
PART NO.	PLATED

RTM PER RF15-E293 EC NO: URF2016-0144 DRWN: CWE102 2015/08/25 CHKD: APPR: YCHENG 2015/08/28 REV: A	QUALITY SYMBOLS ▽=0 ▽=0 ▽=0	GENERAL TOLERANCES (UNLESS SPECIFIED)	DIMENSION STYLE MM/IN	SCALE METRIC	DESIGN UNITS METRIC	THIRD ANGLE PROJECTION
		4 PLACES ± --- ± --- 3 PLACES ± --- ± --- 2 PLACES ± --- ± --- 1 PLACE ± --- ± --- 0 PLACE ± --- ± ---	DRAWN BY DATE CWE102 2015/08/25 CHECKED BY DATE KERRIE 2015/08/25 APPROVED BY DATE YCHENG 2015/08/28	TITLE JAM NUT ROUND 1/2-28	MATERIAL NO. SEE TABLE	DOCUMENT NO. SD-89519-470