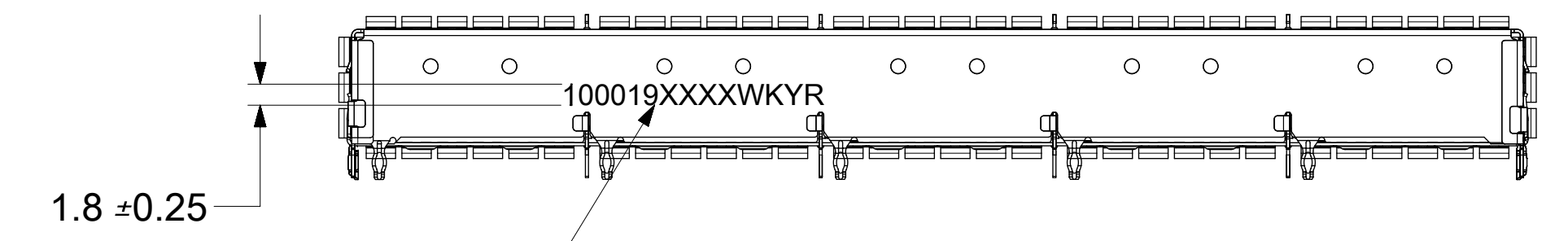
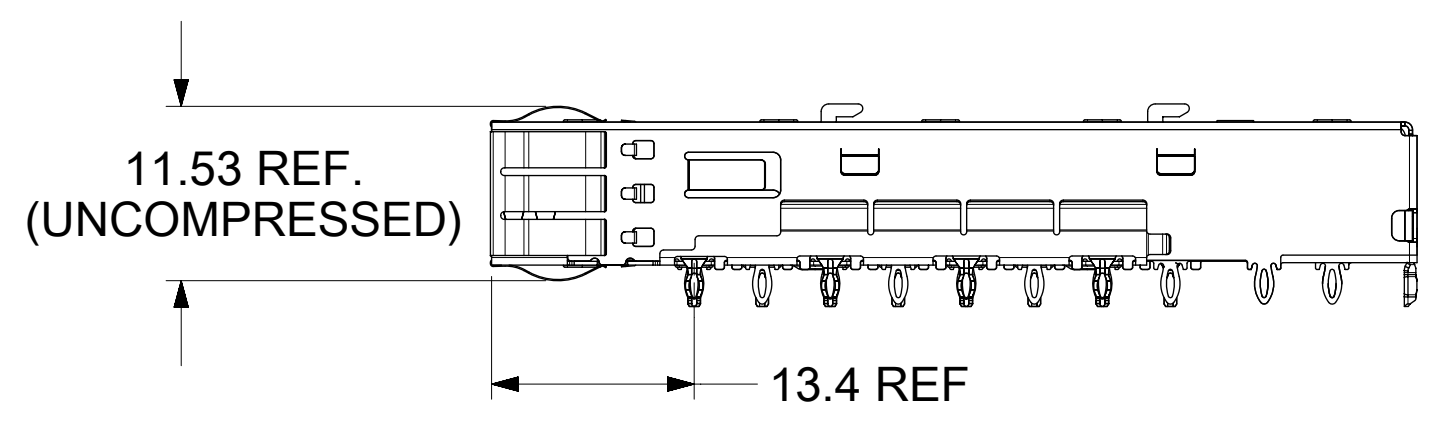
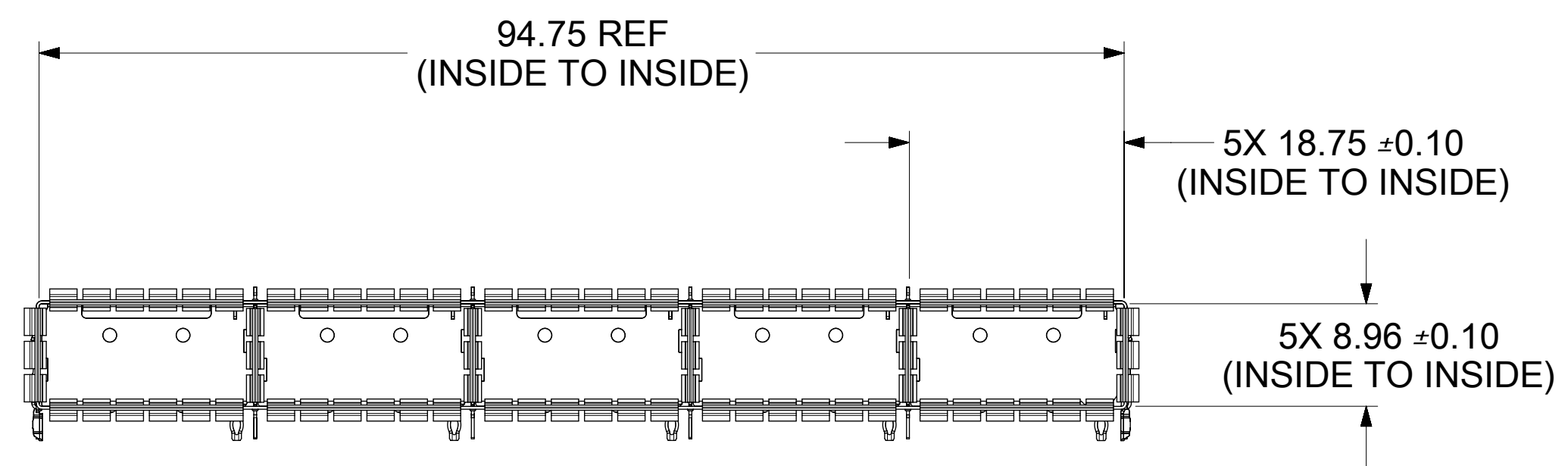
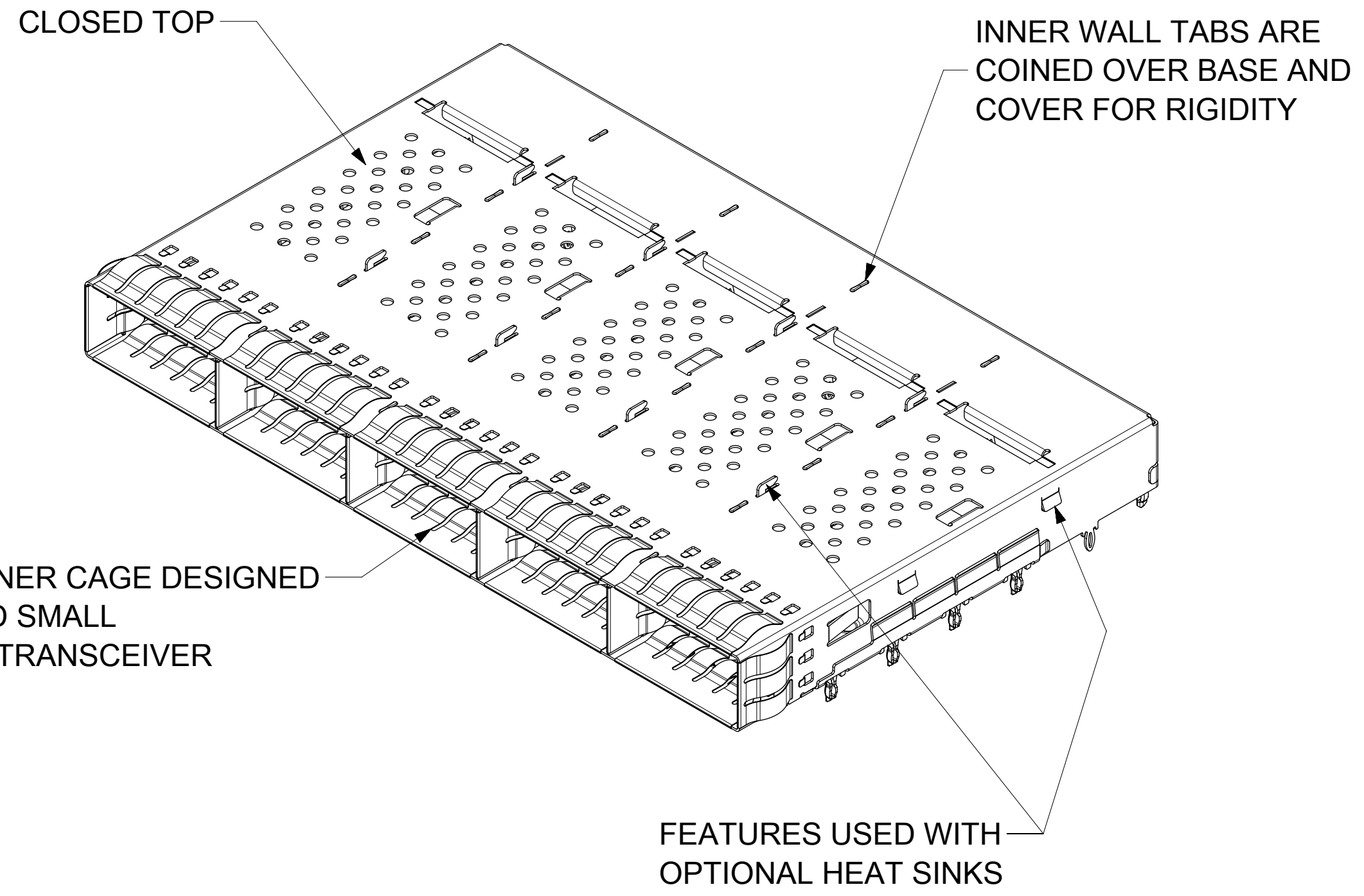
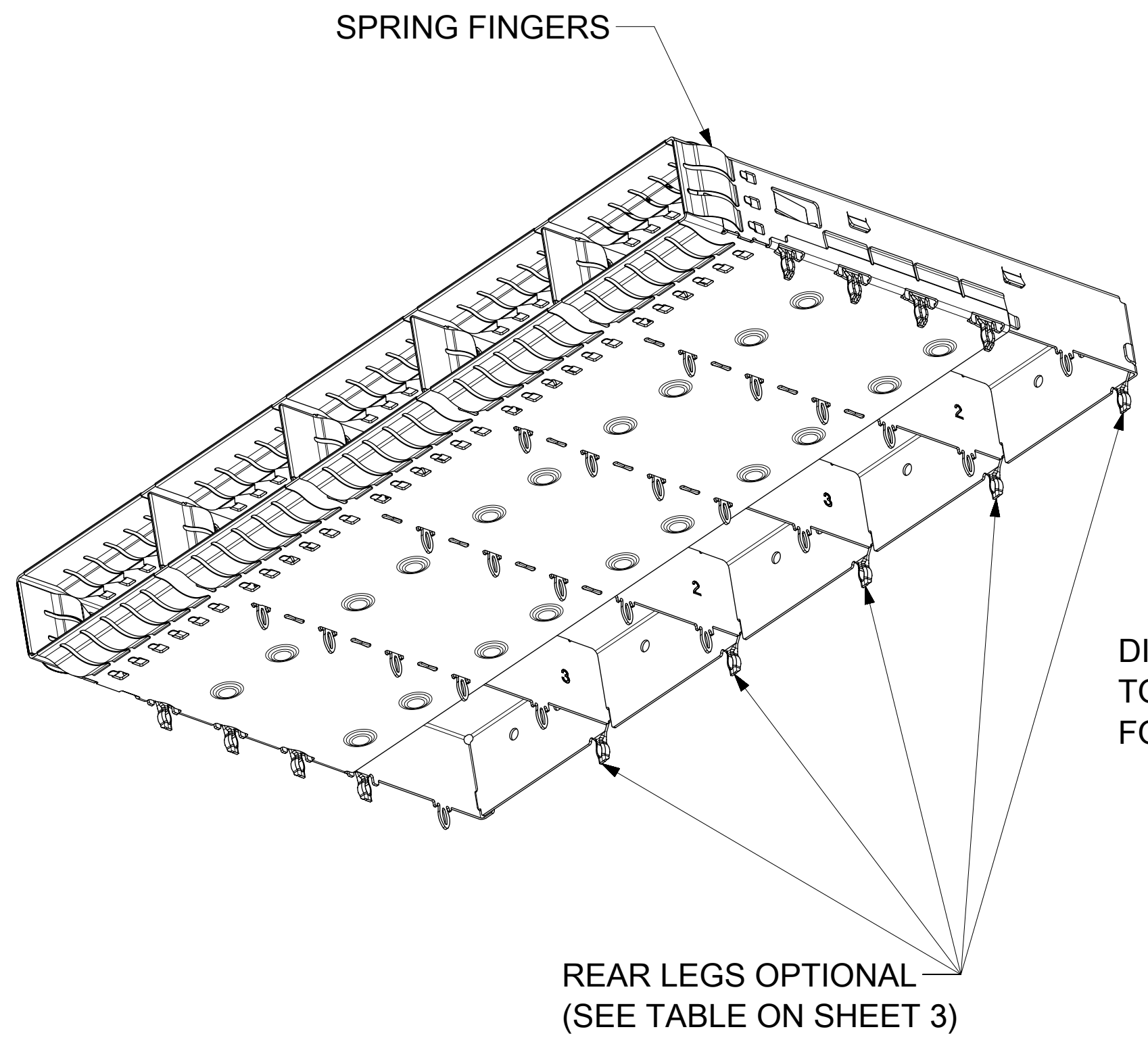
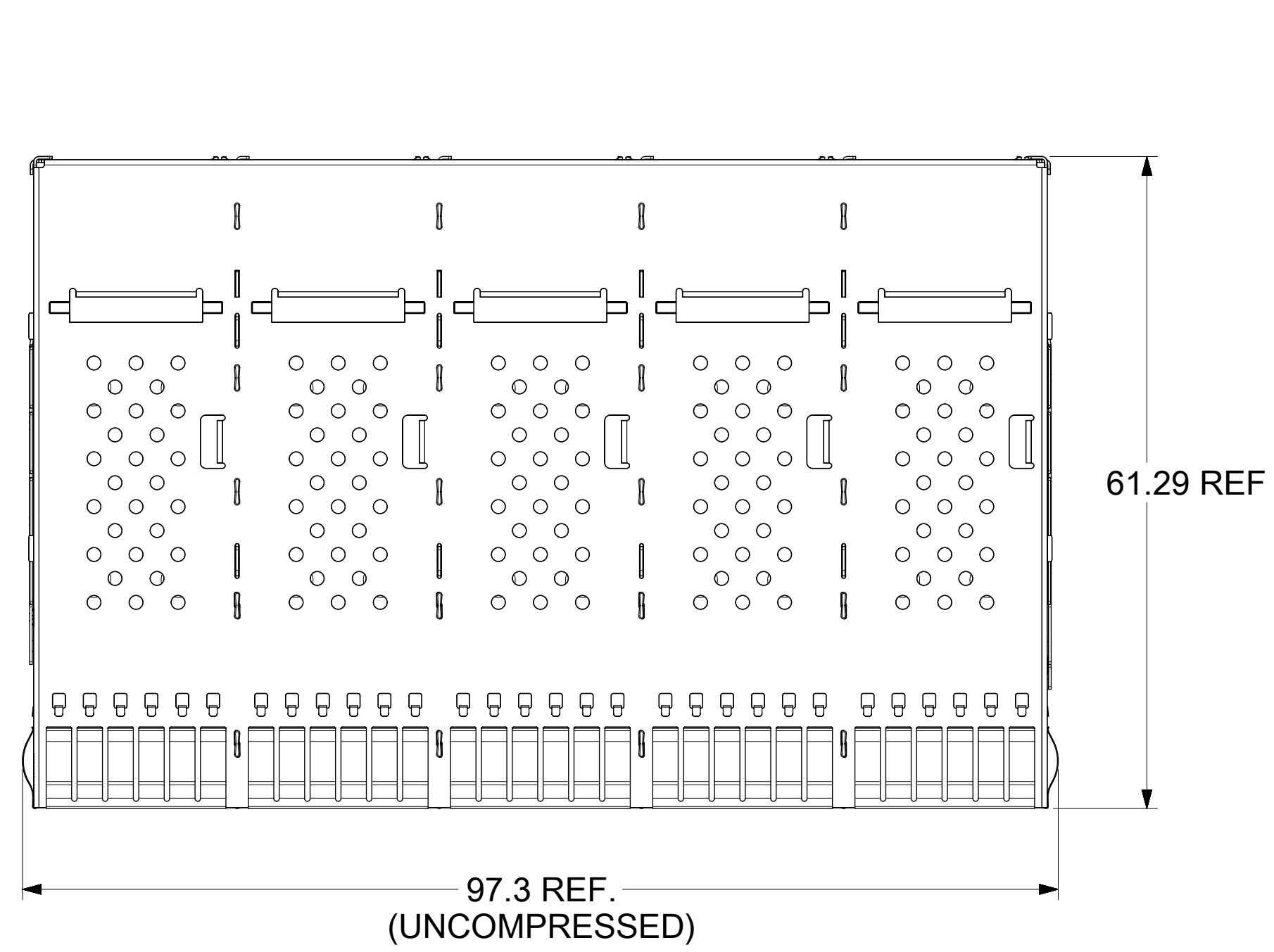


BASIC CAGE DETAILS

1000191242

SHOWN



P/N AND WEEK/YEAR DATE CODE TO BE PRINTED ON BACK OF COMPLETED CAGE ASSEMBLY APPROXIMATELY AS SHOWN. SEE TABLE BELOW FOR DATE CODE INFORMATION.

- NOTES:
- MATERIAL: CAGE: STAINLESS STEEL
CENTER WALLS: STAINLESS STEEL
SPRING FINGERS: BERYLLIUM COPPER; NICKEL PLATED
HEAT SINKS: NICKEL PLATED ALUMINUM
HEAT SINK CLIP: STAINLESS STEEL
LIGHT PIPES: POLYCARBONATE (UL 94-V-0)
 - DIMENSIONS MARKED ∇ ARE CRITICAL TO FUNCTION OF THE PART AND MUST BE INSPECTED
 - DRAWING APPLIES TO ALL P/N'S SHOWN ON PAGE 3
 - DURING INCOMING INSPECTION, CAGE LEG LOCATIONS AND STRAIGHTNESS MUST BE CHECKED USING APPROPRIATE GO - NO GO GAGE
 - DURING INCOMING INSPECTION, CAGE MUST BE INSPECTED TO MAKE SURE LEG CONFIGURATIONS AND PART NUMBERS ARE CORRECT, USE SHEETS 3, 4 AND 5
 - PARTS TO BE INSPECTED PER MOLEX COSMETIC SPEC WI-HP-7-2774 (CLASS B UNLESS OTHERWISE SPECIFIED)
 - PRESS-FIT LEGS 2.44 LONG -
1.57 MINIMUM PCB THICKNESS FOR SINGLE SIDED USE.
3.00 MINIMUM PCB THICKNESS FOR BELLY TO BELLY USE.
 - NO RoHS EXEMPTIONS.

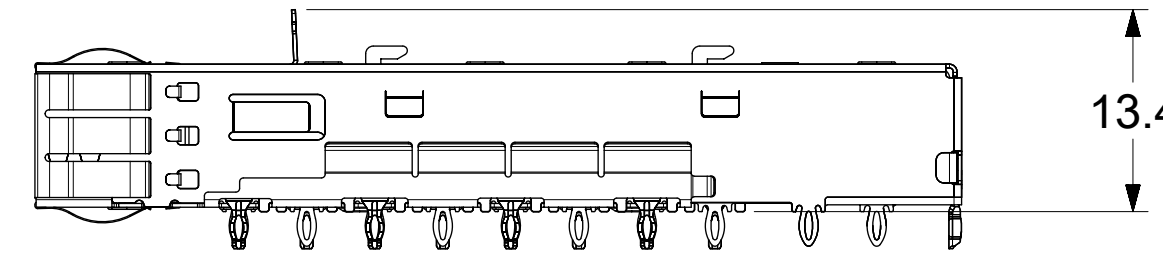
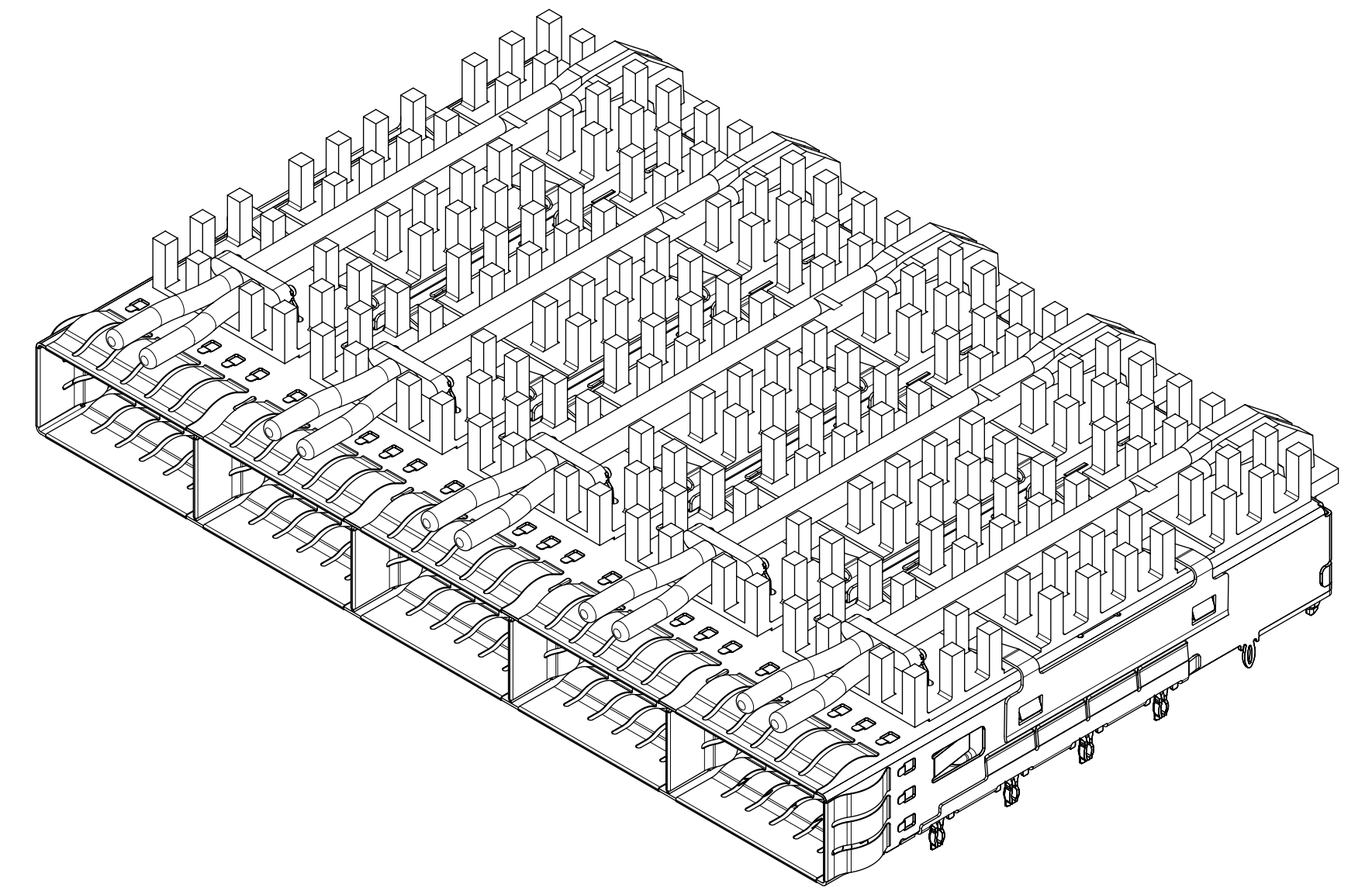
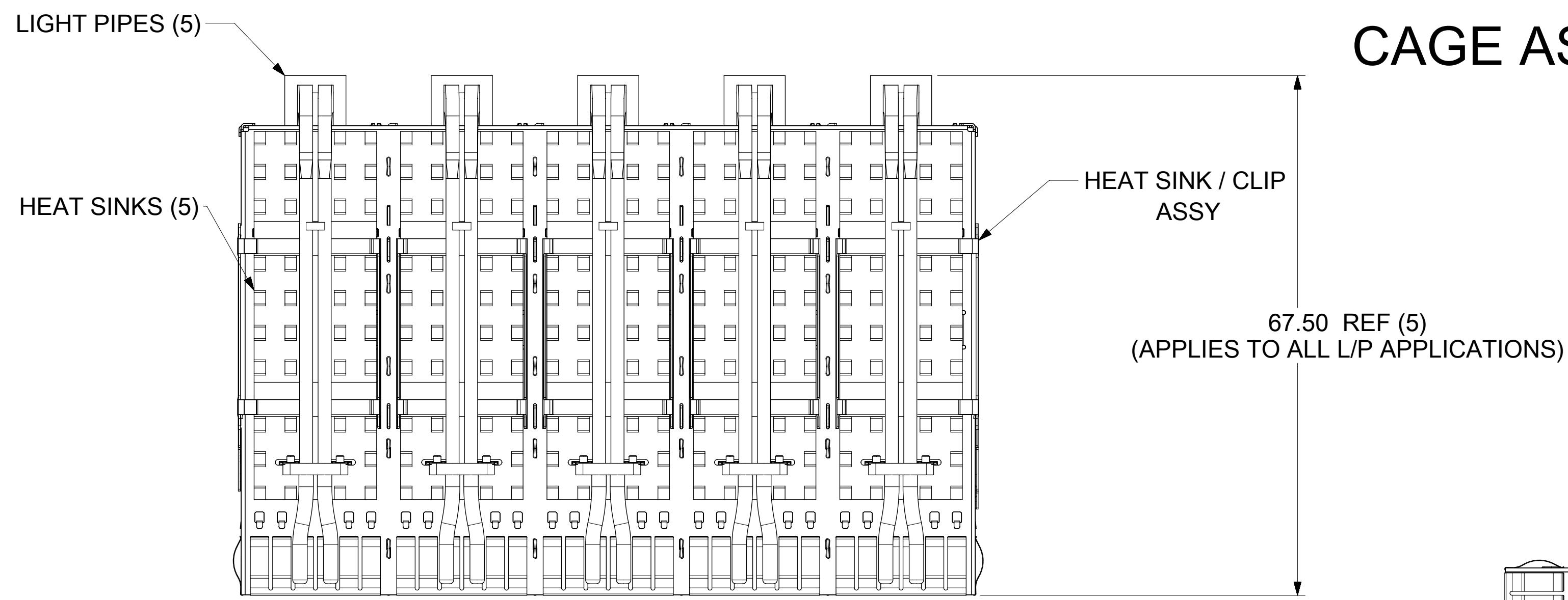
WEEK/YEAR DATE CODE TABLE	
WK	WEEK OF THE YEAR 01 THRU 52 (EXAMPLE: 01= FIRST WEEK OF YEAR 52= LAST WEEK OF YEAR)
YR	18, 19, 20 ETC.. (EXAMPLE: YEAR 2018= 18)

SYMBOLS		THIS DRAWING CONTAINS INFORMATION THAT IS PROPRIETARY TO MOLEX ELECTRONIC TECHNOLOGIES, LLC AND SHOULD NOT BE USED WITHOUT WRITTEN PERMISSION		CURRENT REV DESC: SEE REVISION TABLE	
∇ = 0	mm	SCALE			
∇ = 0	GENERAL TOLERANCES (UNLESS SPECIFIED)		EC NO: 601540		
∇ = 0	ANGULAR TOL	± 2.0°	DRWN: MKEMPEGOWDA 2018/05/25		
∇ = 0	4 PLACES	±	CHK'D: TKUMARKC 2018/07/17		
∇ = 0	3 PLACES	±	APPR: RCHEN08 2018/07/18		
∇ = 0	2 PLACES	± 0.13	INITIAL REVISION:		
∇ = 0	1 PLACE	± 0.25	DRWN: KNAGANNA 2015/05/28		
∇ = 0	0 PLACES	±	APPR: RCHEN08 2016/01/11		
∇ = 0	DRAFT WHERE APPLICABLE MUST REMAIN WITHIN DIMENSIONS		THIRD ANGLE PROJECTION	DRAWING	SHEET
∇ = 0				D-SIZE	100019
DOCUMENT NUMBER		DOC TYPE	DOC PART	REVISION	
1000191200		PSD	SD	H	
MATERIAL NUMBER		CUSTOMER	SHEET NUMBER		
SEE P/N TABLE		GENERAL MARKET	1 OF 7		

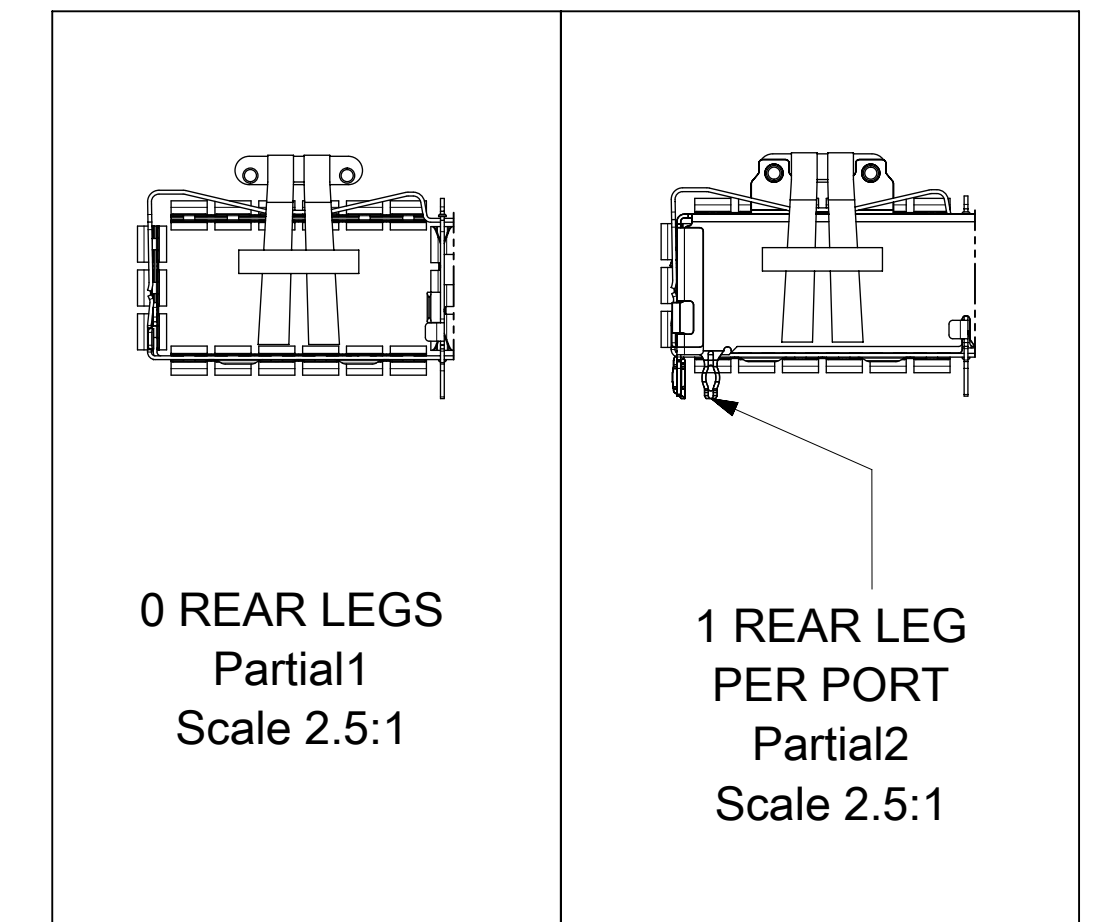
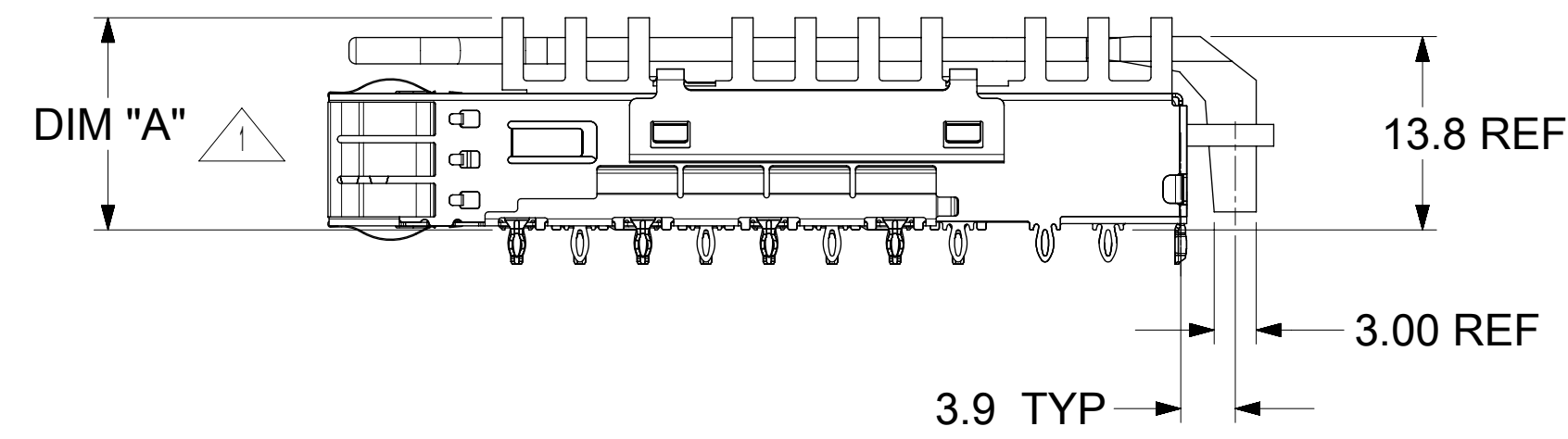
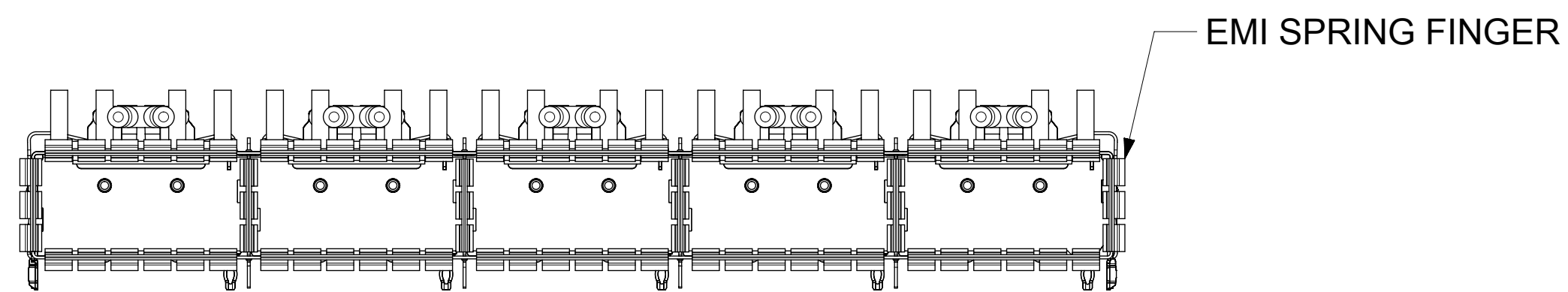
CAGE ASSEMBLY OPTIONS

1000191544

SHOWN



REAR LEG OPTIONS

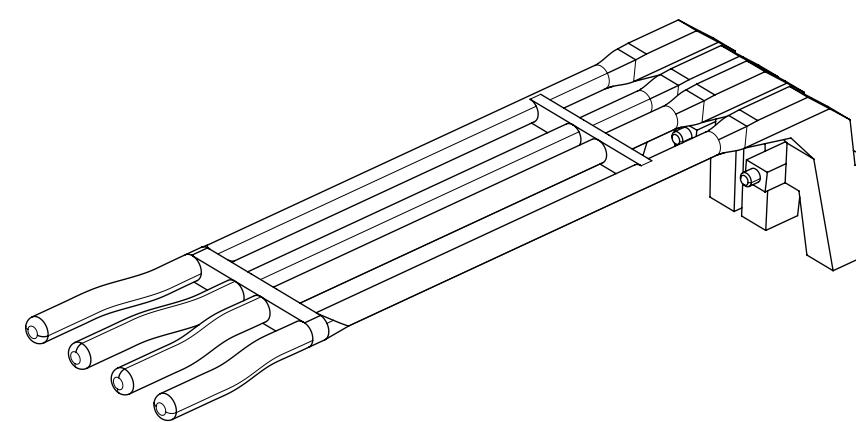
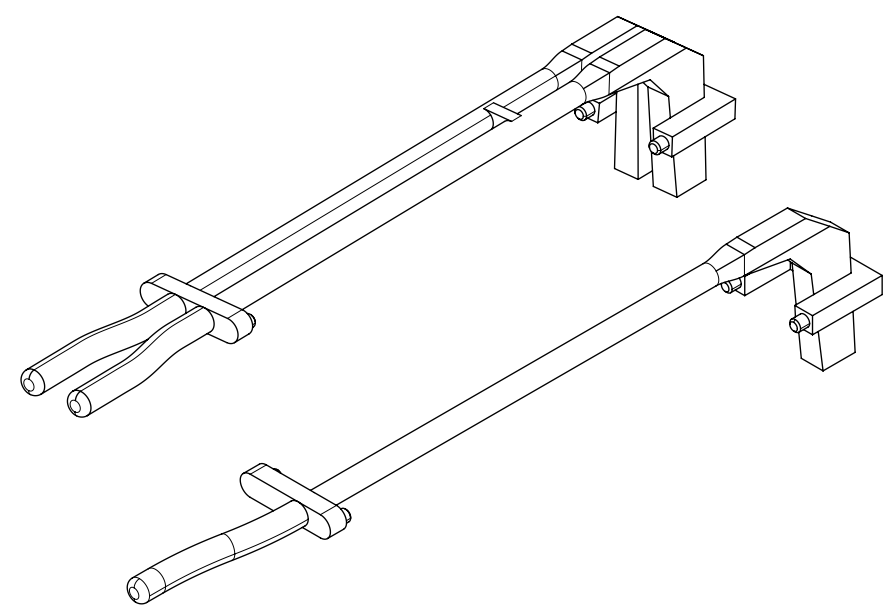


HEATSINK AND LIGHT PIPE COMBINATIONS

HEATSINK
USED
WITHOUT
LIGHTPIPE

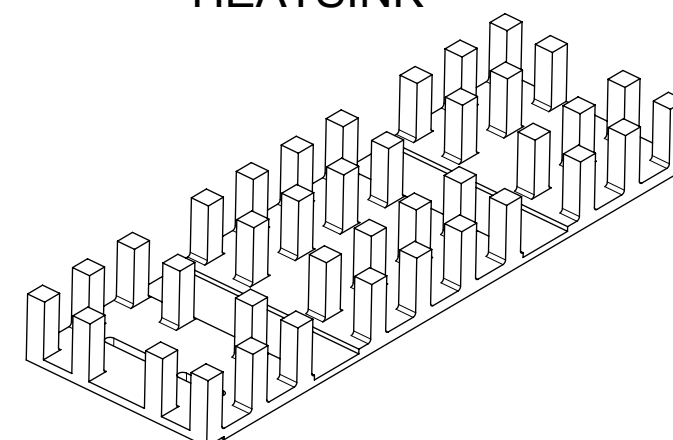
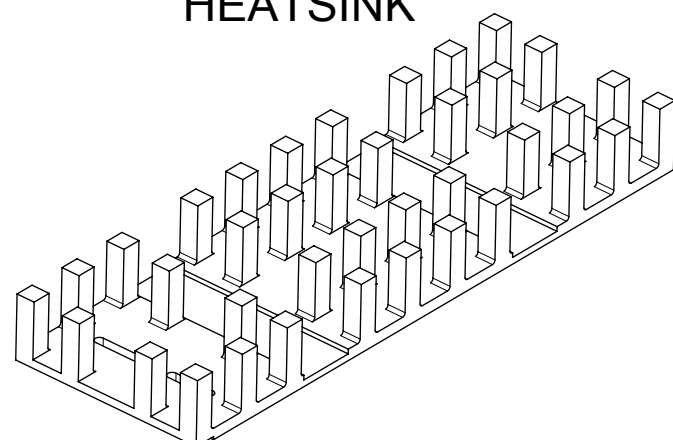
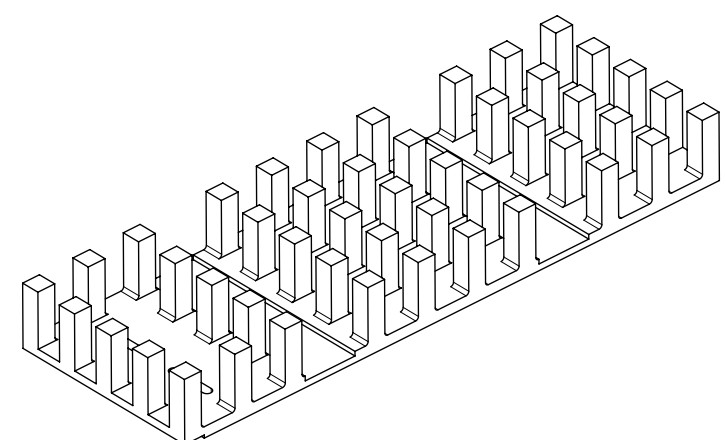
SINGLE / DUAL LIGHT PIPE

QUAD LIGHT PIPE



HEATSINK

HEATSINK



OVERALL HEAT SINK HEIGHT	DIM "A"
PCI	13.7 REF
SAN	16.0 REF
NET	23.0 REF

HEIGHT OF HEAT SINK WITH MODULE INSERTED.
DIMENSION MAY BE LESS DUE TO MODULE AND HEAT SINK VARIATIONS

SYMBOLS	THIS DRAWING CONTAINS INFORMATION THAT IS PROPRIETARY TO MOLEX ELECTRONIC TECHNOLOGIES, LLC AND SHOULD NOT BE USED WITHOUT WRITTEN PERMISSION		CURRENT REV DESC: SEE REVISION TABLE	
DIMENSION UNITS	SCALE	EC NO:	DRWN:	CHK'D:
= 0	mm	601540	MKEMPEGOWDA	2018/05/25
= 0	GENERAL TOLERANCES (UNLESS SPECIFIED)		TKUMARKC	2018/07/17
= 0	ANGULAR TOL $\pm 2.0^\circ$		RCHEN08	2018/07/18
= 0	4 PLACES \pm		INITIAL REVISION:	
= 0	3 PLACES \pm		DRWN: KNAGANNA	2015/05/28
= 0	2 PLACES ± 0.13		APPR: RCHEN08	2016/01/11
= 0	1 PLACE ± 0.25			
= 0	0 PLACES \pm			
= 0	DRAFT WHERE APPLICABLE MUST REMAIN WITHIN DIMENSIONS	THIRD ANGLE PROJECTION	DRAWING	SERIES
= 0			D-SIZE	100019
		DOCUMENT NUMBER		DOC TYPE
		1000191200		PSD
		DOC PART		SD
		REVISION		H
DOCUMENT STATUS		MATERIAL NUMBER		SHEET NUMBER
P1		SEE P/N TABLE		2 OF 7
RELEASE DATE		CUSTOMER		
2018/07/18		GENERAL MARKET		
01:26:03				

molex

ZQSFP+ 1X5 GANGED CAGE
ASSY'S SPRING FINGER WITH H/S & L/P OPTIONS

PRODUCT CUSTOMER DRAWING

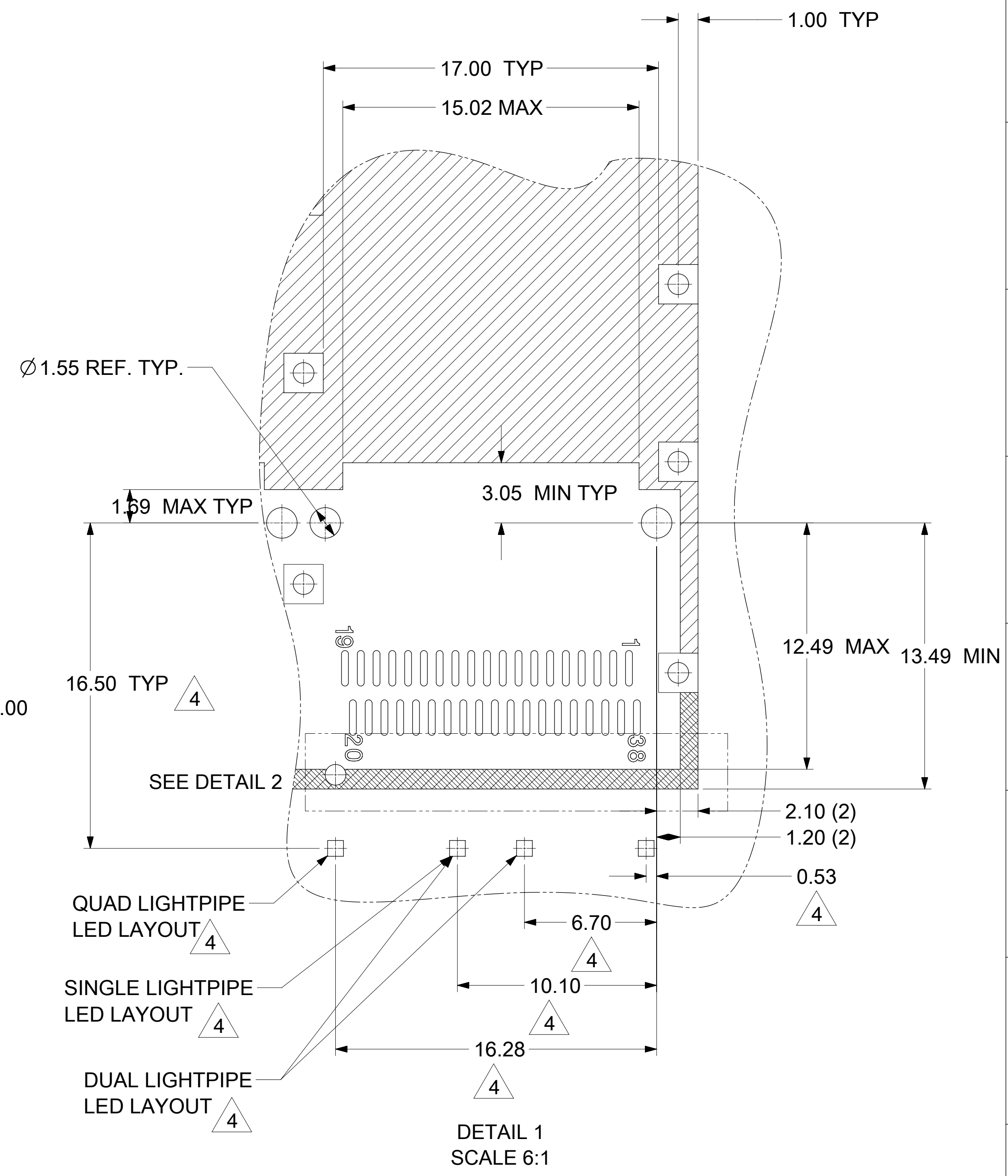
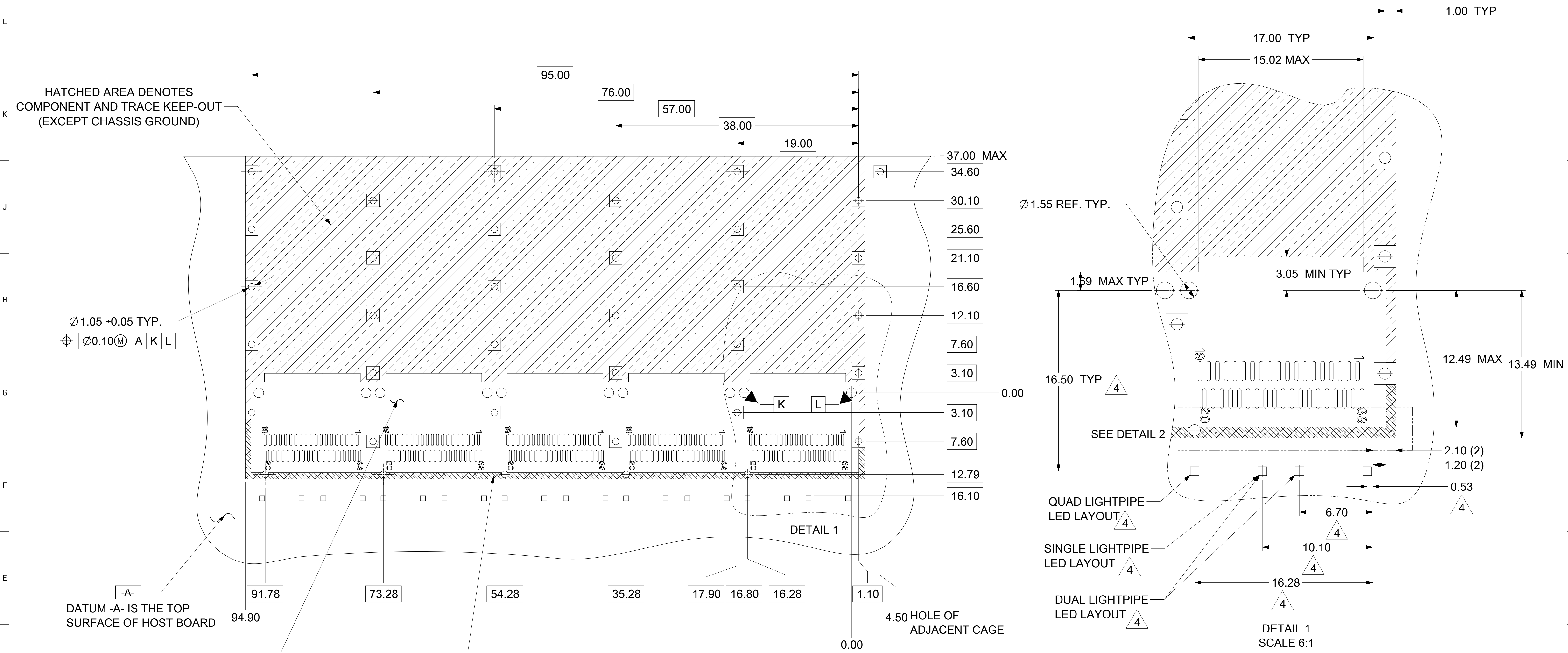
DOCUMENT NUMBER DOC TYPE DOC PART REVISION

1000191200 PSD SD H

SEE P/N TABLE GENERAL MARKET

2 OF 7

PCB LAYOUT FOR SINGLE SIDED MOUNTING



HATCHED AREA DENOTES COMPONENT AND TRACE KEEP-OUT (EXCEPT CHASSIS GROUND)

Ø 1.05 ± 0.05 TYP.
 ⊕ Ø 0.10 (M) A K L

-A-
 DATUM -A- IS THE TOP SURFACE OF HOST BOARD

AREA DENOTES COMPONENT KEEP-OUT (TRACES ALLOWED)

CROSS HATCHED AREA DENOTES WHERE SURFACE TRACES ARE PERMITTED SEE NOTE 6

- NOTES:
1. PADS AND VIAS GO TO CHASSIS GROUND. (RECOMMENDED PADS TO BE 2.00mm SQUARE.)
 2. RECOMMENDED THRU HOLE PLATING INCLUDES HASL, OSP, OR IMMERSION (GOLD, SILVER, OR TIN).
 3. CONNECTOR PAD LAYOUT PER SFF-8663 WILL ACCOMMODATE MOLEX CONNECTOR SERRIES 170432.
 4. NOTED DIMENSIONS ONLY APPLY TO CAGE ASSEMBLIES WITH LIGHT PIPES.
 5. REFERENCE WHEN REAR LEGS ARE PRESENT. IF NO REAR LEGS, VIA AREA CAN BE USED FOR SURFACE TRACES. SEE SINGLE SIDE LAYOUT, DETAIL 2.

SYMBOLS		THIS DRAWING CONTAINS INFORMATION THAT IS PROPRIETARY TO MOLEX ELECTRONIC TECHNOLOGIES, LLC AND SHOULD NOT BE USED WITHOUT WRITTEN PERMISSION		CURRENT REV DESC: SEE REVISION TABLE	
▽ = 0	mm	DIMENSION UNITS	SCALE		
▽ = 0	GENERAL TOLERANCES (UNLESS SPECIFIED)				
▽ = 0	ANGULAR TOL ± 2.0°				
▽ = 0	4 PLACES ±	EC NO: 601540			
▽ = 0	3 PLACES ±	DRWN: MKMEPEGOWDA 2018/05/25			
▽ = 0	2 PLACES ± 0.13	CHK'D: TKUMARKC 2018/07/17			
▽ = 0	1 PLACE ± 0.25	APPR: RCHEN08 2018/07/18			
▽ = 0	0 PLACES ±	INITIAL REVISION:			
▽ = 0	DRAFT WHERE APPLICABLE MUST REMAIN WITHIN DIMENSIONS		THIRD ANGLE PROJECTION	DRAWING	SERIES
▽ = 0			D-DRAWING	100019	2016/01/11
DOCUMENT STATUS		RELEASE DATE	MATERIAL NUMBER		
P1	2018/07/18 01:26:03	SEE P/N TABLE			CUSTOMER
		GENERAL MARKET		SHEET NUMBER	
				4 OF 7	

molex

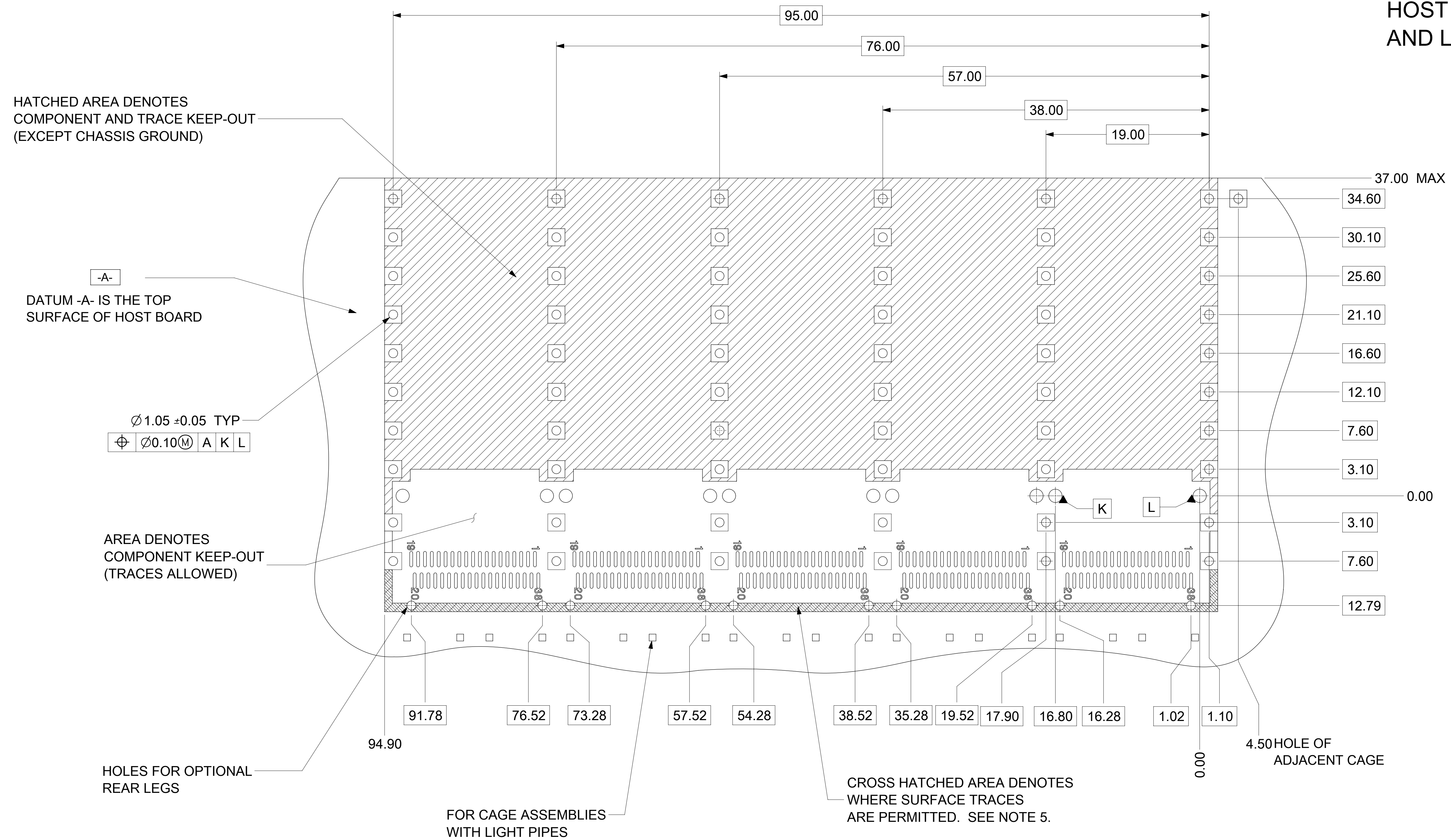
ZQSFP+ 1X5 GANGED CAGE ASSY'S SPRING FINGER WITH H/S & L/P OPTIONS

PRODUCT CUSTOMER DRAWING

DOCUMENT NUMBER: 1000191200
 DOC TYPE: PSD
 DOC PART: SD
 REVISION: H

PCB LAYOUT FOR BELLY TO BELLY MOUNTING

NOTE:
SEE SHEET 4 FOR
HOST CONNECTOR DETAIL
AND LED LOCATION DETAILS



- NOTES:
1. PADS AND VIAS GO TO CHASSIS GROUND. (RECOMMENDED PADS TO BE 2.00mm SQUARE.)
 2. RECOMMENDED THRU HOLE PLATING INCLUDES HASL, OSP, OR IMMERSION (GOLD, SILVER, OR TIN).
 3. CONNECTOR PAD LAYOUT PER SFF-8663 WILL ACCOMMODATE MOLEX CONNECTOR SERIES 170432.
 4. REFERENCE WHEN REAR LEGS ARE PRESENT. IF NO REAR LEGS, VIA AREA CAN BE USED FOR SURFACE TRACES. SEE SINGLE SIDE LAYOUT, DETAIL 2 ON SHEET 4.

SYMBOLS		THIS DRAWING CONTAINS INFORMATION THAT IS PROPRIETARY TO MOLEX ELECTRONIC TECHNOLOGIES, LLC AND SHOULD NOT BE USED WITHOUT WRITTEN PERMISSION	
▽ = 0	mm	DIMENSION UNITS	SCALE
▽ = 0	GENERAL TOLERANCES (UNLESS SPECIFIED)	CURRENT REV DESC: SEE REVISION TABLE	
▽ = 0	ANGULAR TOL ± 2.0°	EC NO: 601540	
▽ = 0	4 PLACES ±	DRWN: MKEMPEGOWDA	2018/05/25
▽ = 0	3 PLACES ±	CHK'D: TKUMARKC	2018/07/17
▽ = 0	2 PLACES ± 0.13	APPR: RCHEN08	2018/07/18
▽ = 0	1 PLACE ± 0.25	INITIAL REVISION:	
▽ = 0	0 PLACES ±	DRWN: KNAGANNA	2015/05/28
▽ = 0	DRAFT WHERE APPLICABLE MUST REMAIN WITHIN DIMENSIONS	APPR: RCHEN08	2016/01/11
▽ = 0	THIRD ANGLE PROJECTION	DRAWING	SERIES
▽ = 0		D-SIZE	100019
DOCUMENT NUMBER		DOC TYPE	DOC PART
1000191200		PSD	SD
MATERIAL NUMBER		CUSTOMER	SHEET NUMBER
SEE P/N TABLE		GENERAL MARKET	5 OF 7

molex

ZQSFP+ 1X5 GANGED CAGE
ASSY'S SPRING FINGER WITH H/S & L/P OPTIONS

PRODUCT CUSTOMER DRAWING

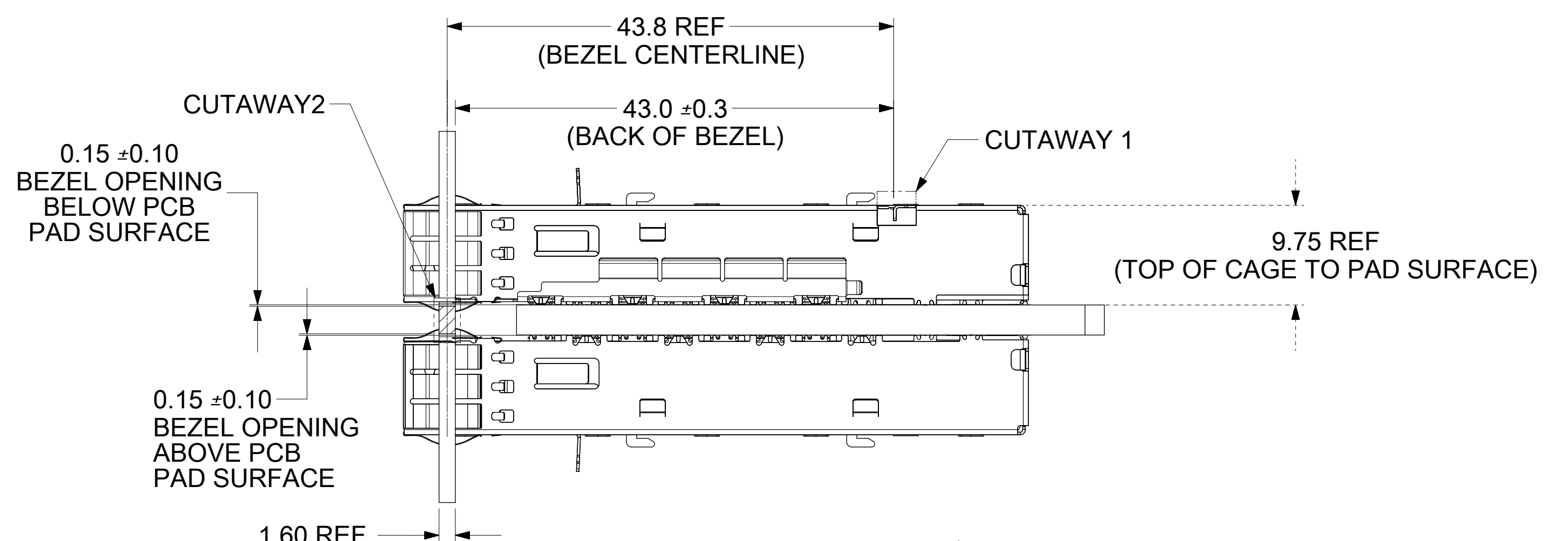
DOCUMENT NUMBER DOC TYPE DOC PART REVISION

1000191200 PSD SD H

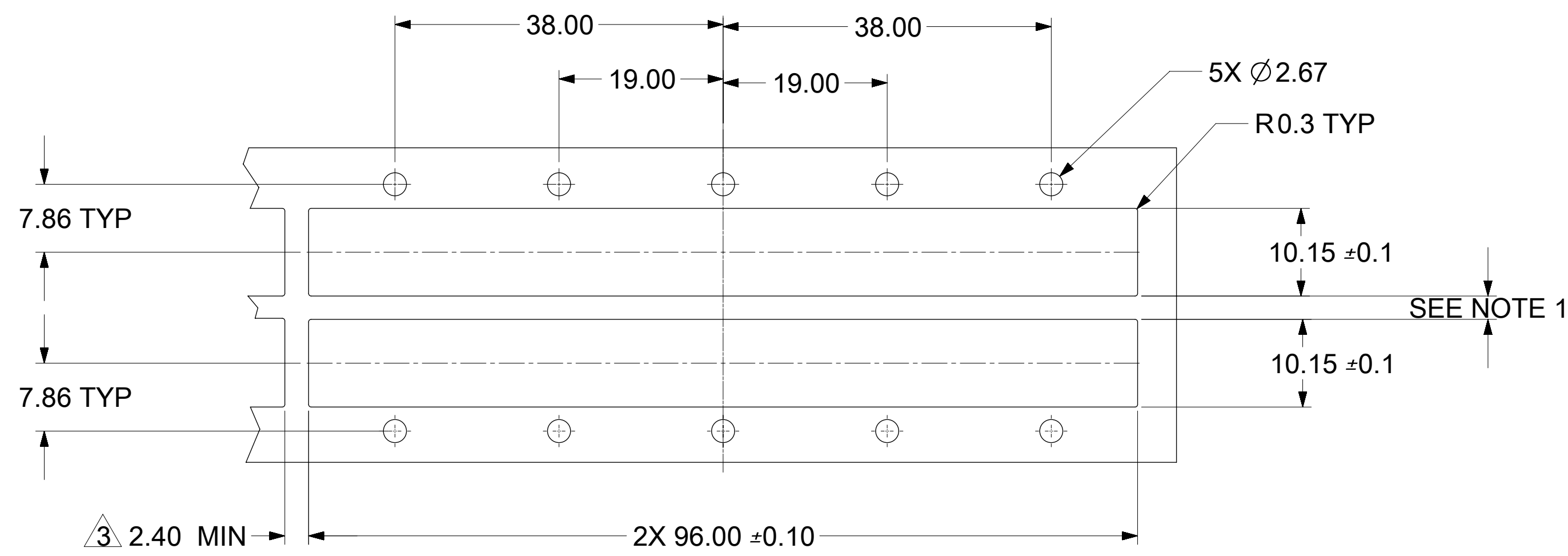
MATERIAL NUMBER CUSTOMER SHEET NUMBER

SEE P/N TABLE GENERAL MARKET 5 OF 7

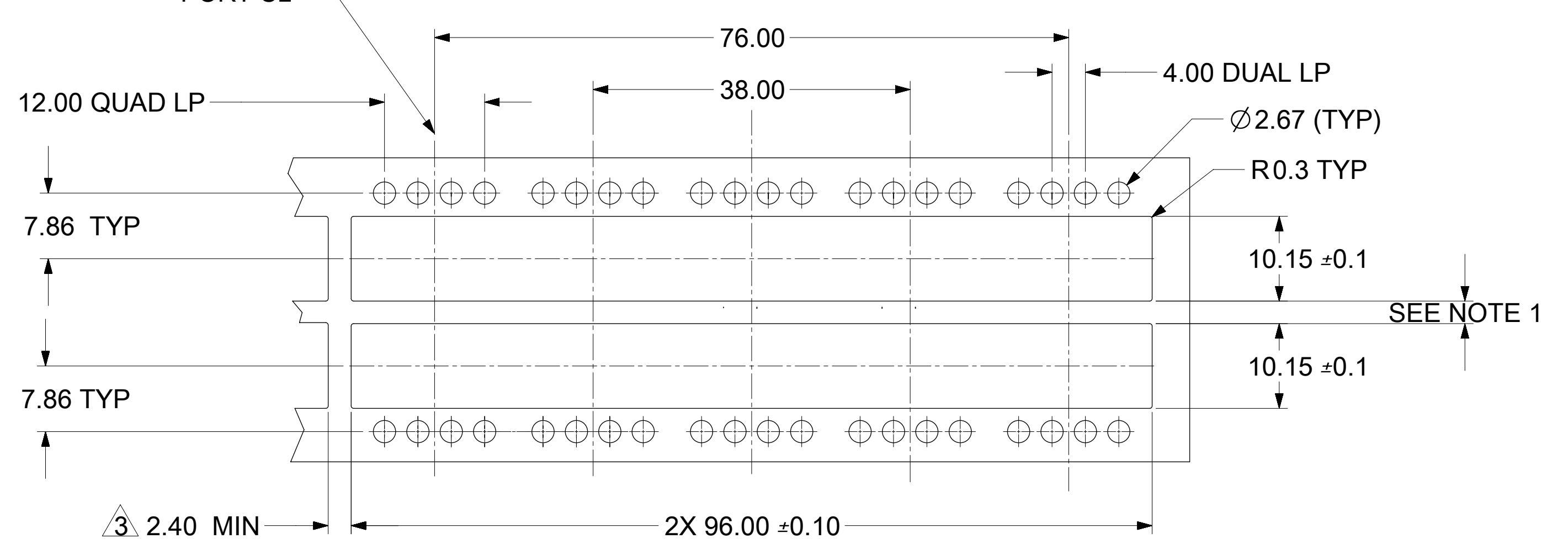
BEZEL AND BOARD POSITION DIMENSIONS FOR BELLY TO BELLY MOUNTING



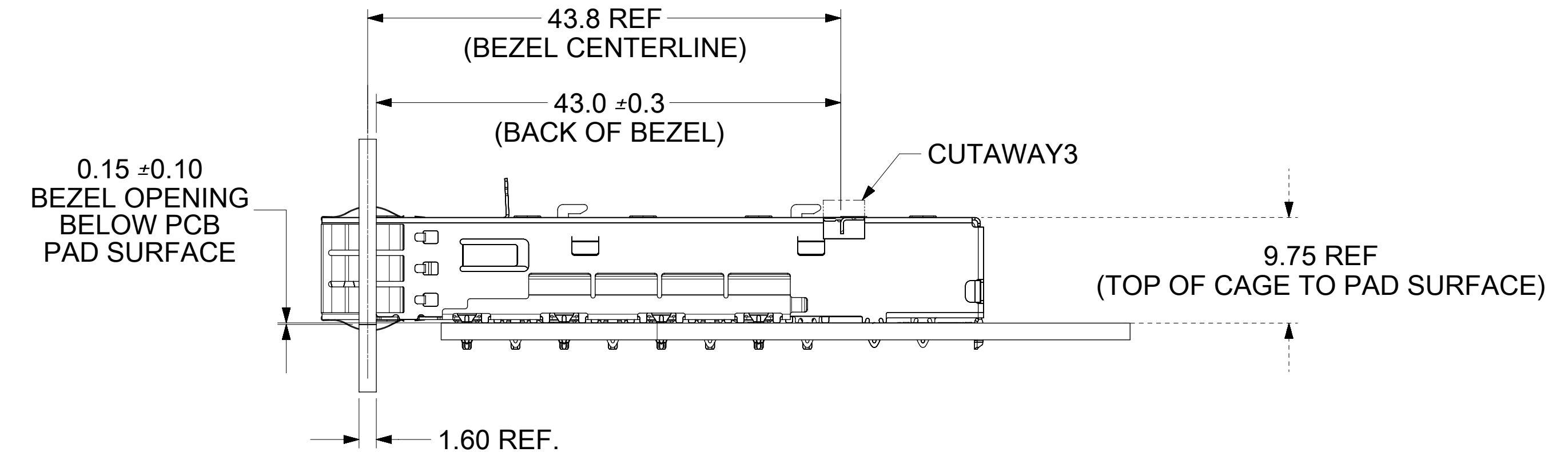
SINGLE LIGHT PIPE



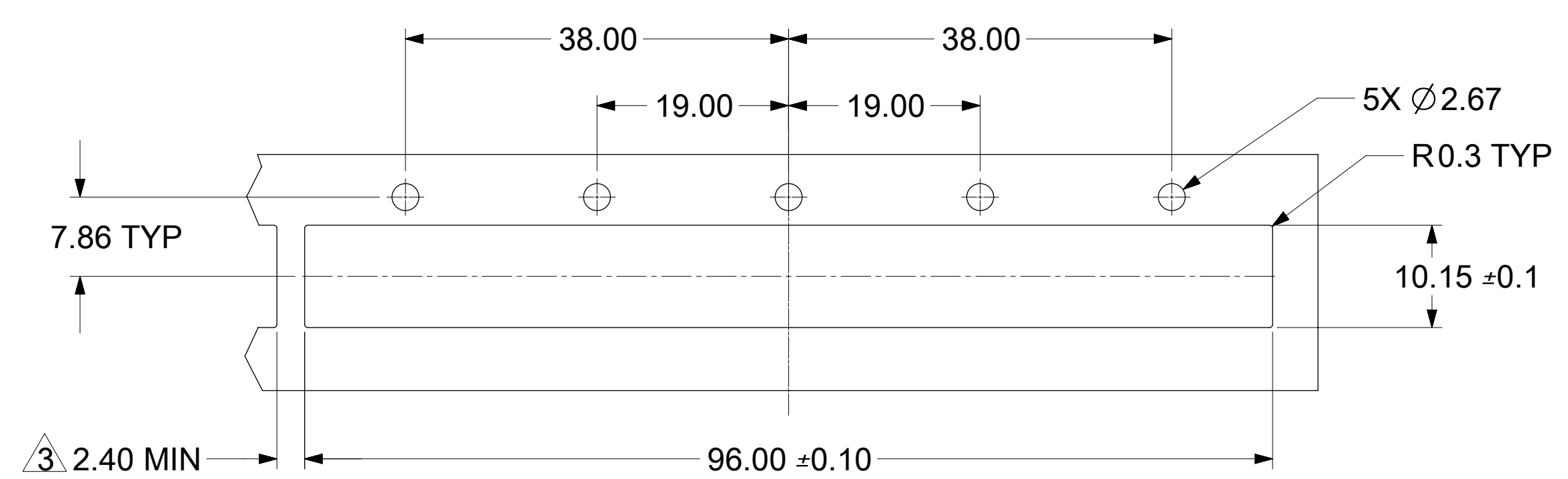
DUAL/QUAD LIGHT PIPE



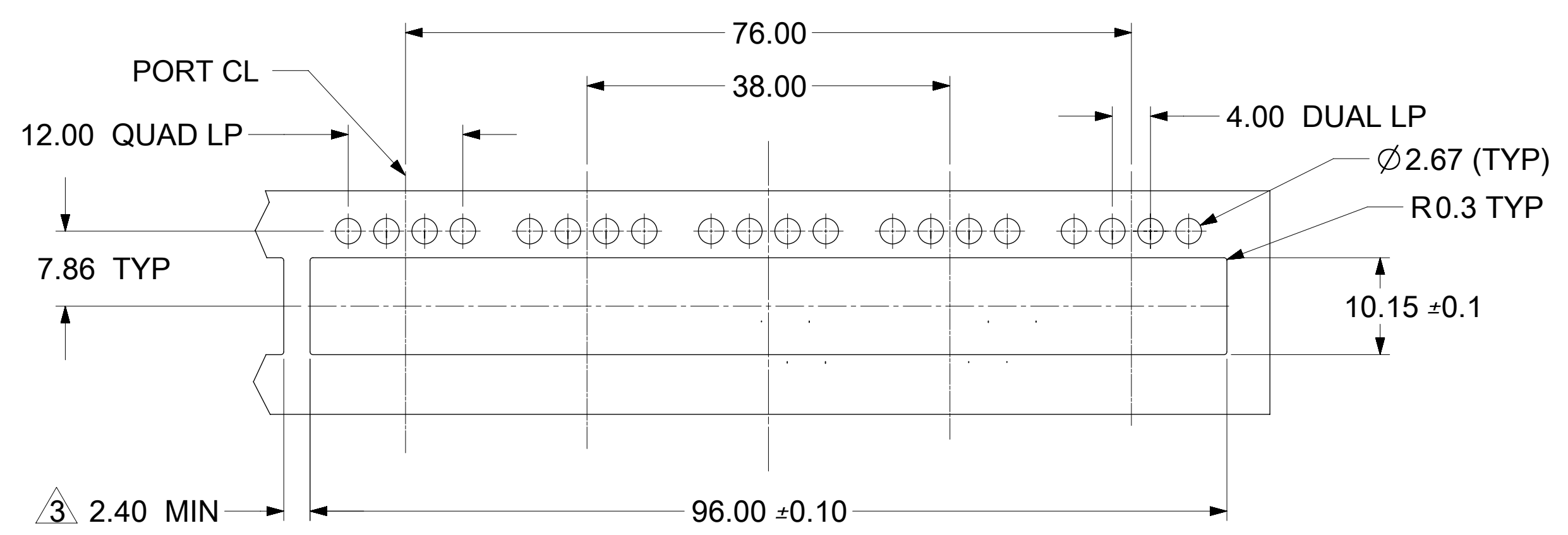
BEZEL AND BOARD POSITION DIMENSIONS FOR SINGLE SIDE MOUNTING



SINGLE LIGHT PIPE



DUAL/QUAD LIGHT PIPE



NOTE:
 1. PCB THICKNESS VARIATION MUST BE CONSIDERED WHEN DETERMINING BEZEL OPENING LOCATION.
 2. NOTED DIMENSIONS ONLY APPLY TO CAGE ASSEMBLIES WITH LIGHT PIPES.
 3. THIS DIMENSION IS FOR REFERENCE ONLY. USER CAN MODIFY IT DEPENDS ON APPLICATION. (THIS DIMENSION VARIES BASED ON DISTANCE OF "HOLE OF ADJACENT CAGE" ON PCB LAYOUT.)

SYMBOLS		THIS DRAWING CONTAINS INFORMATION THAT IS PROPRIETARY TO MOLEX ELECTRONIC TECHNOLOGIES, LLC AND SHOULD NOT BE USED WITHOUT WRITTEN PERMISSION	
▽ = 0	mm	DIMENSION UNITS	SCALE
▽ = 0	GENERAL TOLERANCES (UNLESS SPECIFIED)	CURRENT REV DESC: SEE REVISION TABLE	
▽ = 0	ANGULAR TOL ± 2.0°	EC NO: 601540	
▽ = 0	4 PLACES ±	DRWN: MKEMPEGOWDA	2018/05/25
▽ = 0	3 PLACES ±	CHK'D: TKUMARKC	2018/07/17
▽ = 0	2 PLACES ± 0.13	APPR: RCHEN08	2018/07/18
▽ = 0	1 PLACE ± 0.25	INITIAL REVISION:	
▽ = 0	0 PLACES ±	DRWN: KNAGANNA	2015/05/28
▽ = 0	DRAFT WHERE APPLICABLE MUST REMAIN WITHIN DIMENSIONS	APPR: RCHEN08	2016/01/11
▽ = 0	THIRD ANGLE PROJECTION	DRAWING	SERIES
▽ = 0		D-SIZE	100019
DOCUMENT NUMBER		DOC TYPE	DOC PART
1000191200		PSD	SD
MATERIAL NUMBER		CUSTOMER	SHEET NUMBER
SEE P/N TABLE		GENERAL MARKET	6 OF 7

molex

ZQSFP+ 1X5 GANGED CAGE ASSY'S SPRING FINGER WITH H/S & L/P OPTIONS

PRODUCT CUSTOMER DRAWING

DOCUMENT NUMBER DOC TYPE DOC PART REVISION

1000191200 PSD SD H

MATERIAL NUMBER CUSTOMER SHEET NUMBER

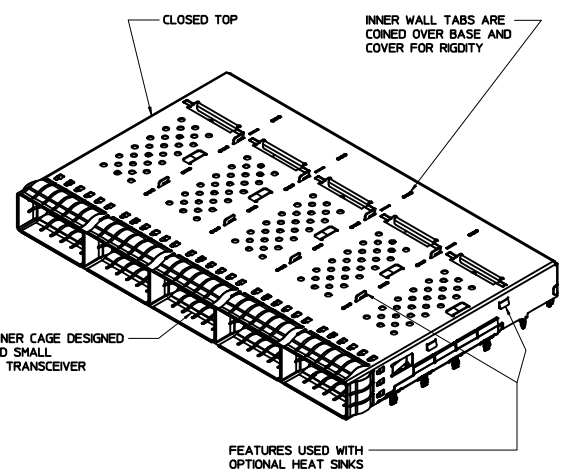
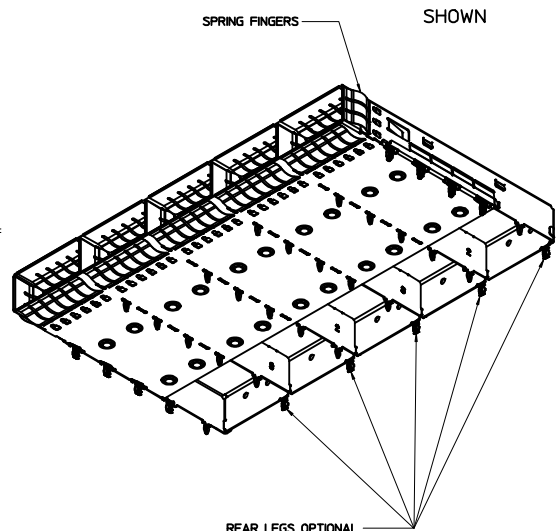
SEE P/N TABLE GENERAL MARKET 6 OF 7

REV	DATE	DESCRIPTION
A	2013/03/29	RELEASE
B	2013/06/26	ADDED DIM 12.77 AT G-9 ON SHEET 4.
C	2014/03/17	SHEET 3: ADDED VIEW AND P/N TABLE FOR CLOSED TOP W/LP. SHEET 4/5: EXPANDED ALLOWABLE AREA WHERE SURFACE TRACES ARE PERMITTED. REMOVED "HOLE PATTERN REPEATS FOR EACH PORT." FROM NOTE 4
D	2014/07/15	SHEET 1: ADDED MATERIAL INFORMATION TO NOTES. CHANGED REARMOST LEG ON BOTH SIDES OF ALL CAGES FROM 3D PRESSFIT TO EYE-OF-THE-NEEDLE PRESSFIT LEG.
E	2014/10/06	SHEET 2: CHANGED HEATSINK HEIGHT DIMENSIONS TO REF J12: DIM 67.48 CHANGED TO REF SHEET 4: MOVED DATUMS "K" AND "L" TO CONNECTOR HOLES REMOVED BASIC FROM "0.00" POSITIONS SHEET 5: MOVED DATUMS "K" AND "L" TO CONNECTOR HOLES REMOVED BASIC FROM "0.00" POSITIONS H17: MADE HOLE DIAMETER DIMENSION TYP SHEET 6: EDIT NOTE 1, REMOVED "SIZE" REMOVED NOTE 1 FROM ALL "10.15" DIMENSIONS
F	2015/04/14	SHEET 4: REVISED DIM "WAS" 12.77 "NOW" 12.79 @G9 REVISED FRAMED TEXT NUMBER 4 TRIANGLES TO FRAMED TEXT NUMBER 5 @E4, @F3,@F6, @G3, @G6,AND @I7 REMOVED NOTE 4 RENUMBERED NOTE 6 TO NOTE 5 SHEET 5: REVISED DIM "WAS" 12.77 "NOW" 12.79 @F7 REMOVED NOTE 4 AND REVISED NOTE 5 TO NOTE 4 REMOVED NOTE 4 @A20 REMOVED SEE NOTE 4 AND ADDED DIMS @K7, @K8, @L9, @L10, AND @L11 SHEET 6: REVISED PORT CL "WAS" (4) "NOW" PORT CL @E17 AND @ EF8
G	2015/04/22	REMASTERED FROM SD-100019-1200_REV'F'
G1	2016/01/07	CHANGED DOCUMENT FROM RSD TO SD
G2	2018/03/02	SHEET 1: D10: ADDED DIM 13.4 REF SHEET 4: E07: CORRECTED TYPO NOTIFICATIN FROM "QUAD LIGHTPIPE LED LAYOUT" TO "SNGEL LIGHTPIPE LED LAYOUT" F07: CORRECTED TYPO NOTIFICATION FROM "SINGEL LIGHTPIPE LED LAYOUT" TO QUAD LIGHTPIPE LED LAYOUT" SHEET 5: D09: ADDED BASIC DIM 19.52, 35.28 & 38.52 D11: ADDED BASIC DIM 54.28 & 57.52 D13: ADDED BASIC DIM 73.28 & 76.52 D14: ADDED BASIC DIM 91.78 D15: DELETE D15 ON SHEET 5 SHEET 6: J18: ADDED DIM 0.15±0.10 (BEZEL OPENING ABOVE PCB PAD SURFACE) K12: CORRECTED THE DIM FROM 9.78 REF TO 9.75 REF K03: CORRECTED THE DIM FROM 9.78 REF TO 9.75 REF G12: CORRECTED THE TOL OF DIM 10.15 FROM ±0.20 TO ±0.1 F12: CORRECTED THE TOL OF DIM 10.15 FROM ±0.20 TO ±0.1 C12: CORRECTED THE TOL OF DIM 10.15 FROM ±0.20 TO ±0.1 G03: CORRECTED THE TOL OF DIM 10.15 FROM ±0.20 TO ±0.1 D03: CORRECTED THE TOL OF DIM 10.15 FROM ±0.20 TO ±0.1 G03: ADDED DIM R0.3 TYP IN ALL BEZEL VIEWS D11: CORRECTED THE DIM 2.75 MIN TO 2.40 MIN IN ALL BEZEL VIEWS A12: ADDED NOTE 3: "THIS DIMENSION IS FOR REFERENCE ONLY. USER CAN MODIFY IT DEPENDS ON APPLICATION. (THIS DIMENSION VARIES BASED ON DISTANCE OF " HOLE OF ADIACENT CAGE" ON PCB LAYOUT.)
H	2018/05/28	SHEET 4: ADDED PAD TO HOLES & UPDATED VIEWS TO AVOID CONFUSION. SHEET 5: ADDED PAD TO HOLES & UPDATED VIEWS TO AVOID CONFUSION.

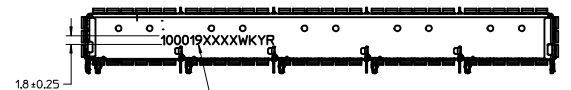
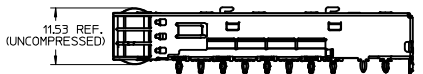
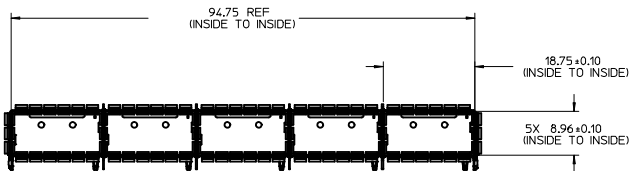
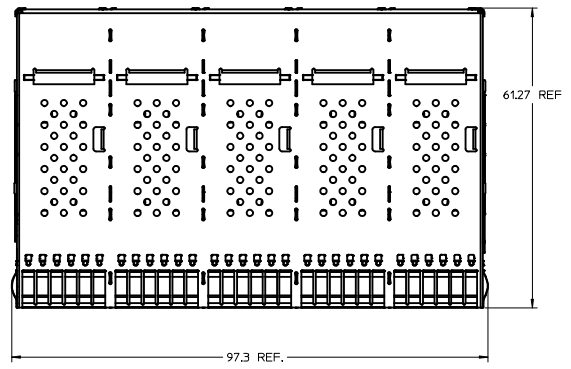
SYMBOLS		THIS DRAWING CONTAINS INFORMATION THAT IS PROPRIETARY TO MOLEX ELECTRONIC TECHNOLOGIES, LLC AND SHOULD NOT BE USED WITHOUT WRITTEN PERMISSION	
DIMENSION UNITS	SCALE	CURRENT REV DESC: SEE REVISION TABLE	
= 0	mm	<p>molex</p> <p>ZQSFP+ 1X5 GANGED CAGE ASSY'S SPRING FINGER WITH H/S & L/P OPTIONS</p> <p>PRODUCT CUSTOMER DRAWING</p> <p>DOCUMENT NUMBER: 1000191200 DOC TYPE: PSD DOC PART: SD REVISION: H</p> <p>EC NO: 601540 DRWN: MKEMPEGOWDA 2018/05/25 CHK'D: TKUMARKC 2018/07/17 APPR: RCHEN08 2018/07/18</p> <p>INITIAL REVISION: DRWN: KNAGANNA 2015/05/28 APPR: RCHEN08 2016/01/11</p> <p>DRAFT WHERE APPLICABLE THIRD ANGLE PROJECTION DRAWING: D-SIZE SERIES: 100019 MUST REMAIN WITHIN DIMENSIONS</p> <p>MATERIAL NUMBER: SEE P/N TABLE CUSTOMER: GENERAL MARKET SHEET NUMBER: 7 OF 7</p>	
= 0	GENERAL TOLERANCES (UNLESS SPECIFIED)		
= 0	ANGULAR TOL ± 2.0°		
= 0	4 PLACES ±		
= 0	3 PLACES ±		
= 0	2 PLACES ± 0.13		
= 0	1 PLACE ± 0.25		
= 0	0 PLACES ±		
= 0			
= 0			

BASE CAGE DETAILS

1000191242



DIMENSIONS OF EACH INNER CAGE DESIGNED TO FUNCTION WITH QUAD SMALL FORM-FACTOR (ZQSFP+) TRANSCEIVER



P/N AND WEEK/YEAR DATE CODE TO BE PRINTED ON BACK OF COMPLETED CAGE ASSEMBLY APPROXIMATELY AS SHOWN. SEE TABLE BELOW FOR DATE CODE INFORMATION.

- NOTES:**
- MATERIAL: CAGE: STAINLESS STEEL
CENTER WALLS: STAINLESS STEEL
SPRING FINGERS: BERYLLIUM COPPER, NICKEL PLATED
HEAT SINKS: NICKEL PLATED ALUMINUM
HEAT SINK CLIP: STAINLESS STEEL
LIGHT PIPES: POLYCARBONATE (UL 94-V-0)
 - DIMENSIONS MARKED ▼ ARE CRITICAL TO FUNCTION OF THE PART AND MUST BE INSPECTED
 - DRAWING APPLIES TO ALL P/N'S SHOWN ON PAGE 3
 - DURING INCOMING INSPECTION, CAGE LEG LOCATIONS AND STRAIGHTNESS MUST BE CHECKED USING APPROPRIATE GO - NO GO GAGE
 - DURING INCOMING INSPECTION, CAGE MUST BE INSPECTED TO MAKE SURE LEG CONFIGURATIONS AND PART NUMBERS ARE CORRECT, USE SHEETS 3, 4 AND 5
 - PARTS TO BE INSPECTED PER MOLEX COSMETIC SPEC WI-HP-7-2774 (CLASS B UNLESS OTHERWISE SPECIFIED)
 - PRESS-FIT LEGS 2.44 [0.096] LONG -
1.57 [0.062] MINIMUM PCB THICKNESS FOR SINGLE SIDED USE.
3.00 [0.118] MINIMUM PCB THICKNESS FOR BELLY TO BELLY USE.
 - NO ROHS EXEMPTIONS.

WEEK/YEAR DATE CODE TABLE	
WK	WEEK OF THE YEAR 01 THRU 52 (EXAMPLE: 01= FIRST WEEK OF YEAR 52= LAST WEEK OF YEAR)
YR	12, 13, 14 ETC.. (EXAMPLE: YEAR 2012= 12)

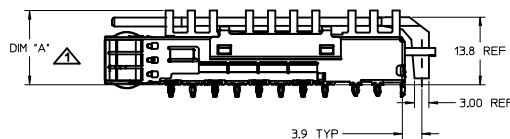
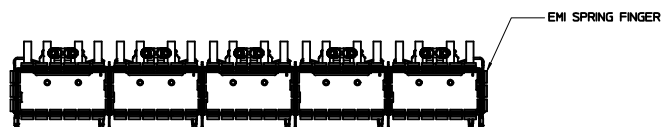
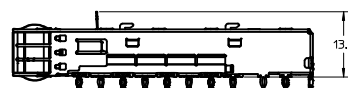
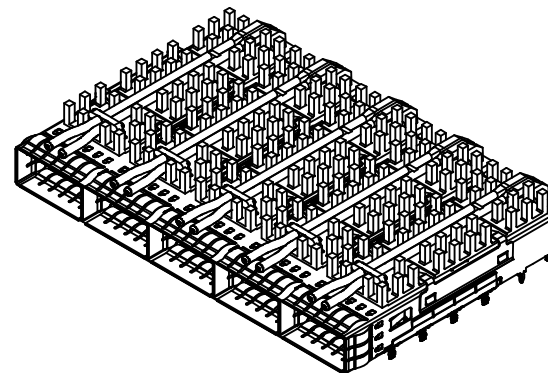
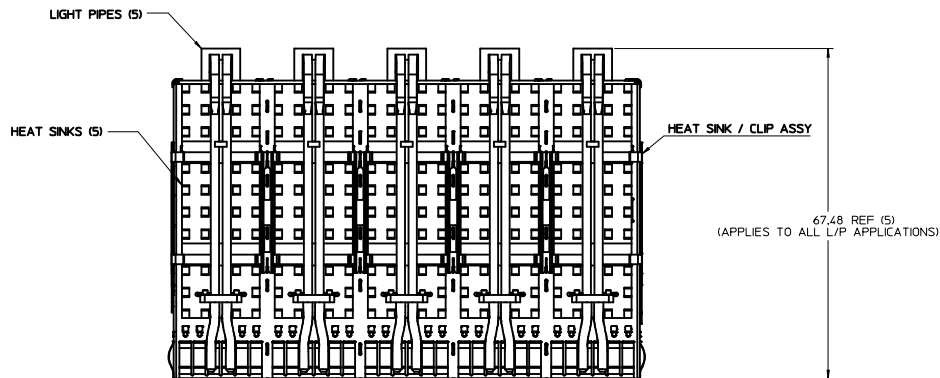
SEE REVISION TABLE IEC NO: CPG2015-5449 TDR: JMWALLACE01 2015/04/14 CHKD: JEFF HATTON 2015/04/15 APPR: K LLOYD 2015/04/22	QUALITY SYMBOLS ▼=0 ▼=0 ▼=0	GENERAL TOLERANCES (UNLESS SPECIFIED)		DIMENSION STYLE MM ONLY		SCALE 2:1	DESIGN UNITS METRIC	THIRD ANGLE PROJECTION	
		4 PLACES ± --- ± --- 3 PLACES ± --- ± --- 2 PLACES ± 0.13 ± --- 1 PLACE ± 0.25 ± --- 0 PLACE ± --- ± ---	mm INCH	DRAWN BY BREED	DATE 2013/01/21	TITLE ZQSFP+ 1X5 GANGED CAGE ASSY'S SPRING FINGER WITH H/S & L/P OPTIONS			
		ANGULAR ± 2 °		CHECKED BY TPRICE	DATE 2013/01/21	MATERIAL NO. SEE DRAWING			
		DRAFT WHERE APPLICABLE MUST REMAIN WITHIN DIMENSIONS		APPROVED BY K LLOYD	DATE 2013/04/08	DOCUMENT NO. SD-100019-1200	SHEET NO. 1 OF 7		

THIS DRAWING CONTAINS INFORMATION THAT IS PROPRIETARY TO MOLEX INCORPORATED AND SHOULD NOT BE USED WITHOUT WRITTEN PERMISSION

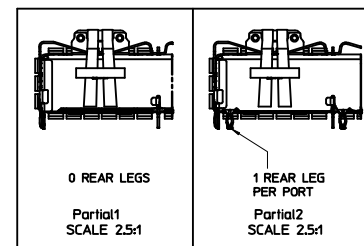
CAGE ASSEMBLY OPTIONS

1000191544

SHOWN



REAR LEG OPTIONS

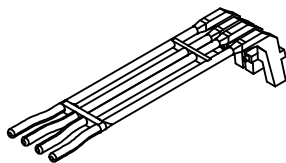
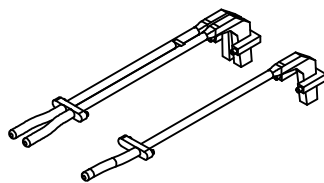


HEATSINK AND LIGHT PIPE COMBINATIONS

HEATSINK
USED
WITHOUT
LIGHTPIPE

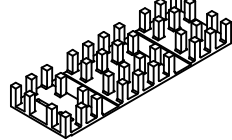
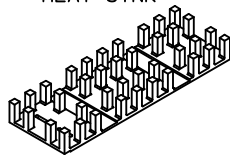
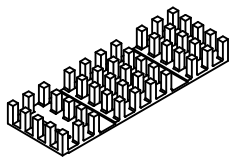
SINGLE / DUAL LIGHTPIPE

QUAD LIGHTPIPE



HEAT SINK

HEAT SINK



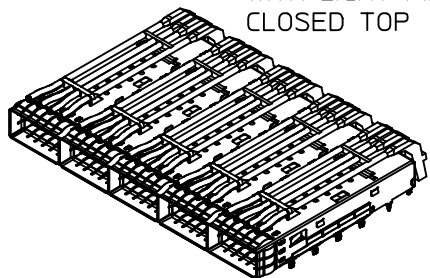
OVERALL HEAT SINK HEIGHT	DIM "A"
PCI	13.7 REF
SAN	16.0 REF
NET	23.0 REF

△ HEIGHT OF HEAT SINK WITH MODULE INSERTED.
DIMENSION MAY BE LESS DUE TO MODULE AND HEAT SINK VARIATIONS.

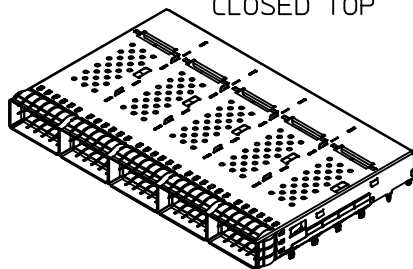
SEE REVISION TABLE EC NO: CPG2015-5449 DRAWN: WALLACE01 2015/04/14 CHKD: JEFF HATTON 2015/04/15 APPR: K LLOYD 2015/04/22	QUALITY SYMBOLS ▽=0 ▽=0 ▽=0	GENERAL TOLERANCES (UNLESS SPECIFIED)		DIMENSION STYLE		SCALE 2:1	DESIGN UNITS METRIC	THIRD ANGLE PROJECTION
		mm	INCH	MM ONLY	DATE			
		4 PLACES	±0.13	±0.005	BREED	2013/01/21	TITLE ZQSFP+ 1X5 GANGED CAGE ASSY'S SPRING FINGER WITH H/S & L/P OPTIONS molex	SHEET NO. 2 OF 7
		2 PLACES	±0.25	±0.010	CHECKED BY	DATE		
		1 PLACE	±0.50	±0.020	APPROVED BY	DATE		
		0 PLACE	±1.00	±0.050	K LLOYD	2013/04/08		
		ANGULAR ± 2 °		MATERIAL NO.		DOCUMENT NO.		
		DRAFT WHERE APPLICABLE MUST REMAIN WITHIN DIMENSIONS		SEE DRAWING		SD-100019-1200		
THIS DRAWING CONTAINS INFORMATION THAT IS PROPRIETARY TO MOLEX INCORPORATED AND SHOULD NOT BE USED WITHOUT WRITTEN PERMISSION								

PART NUMBER SELECTION

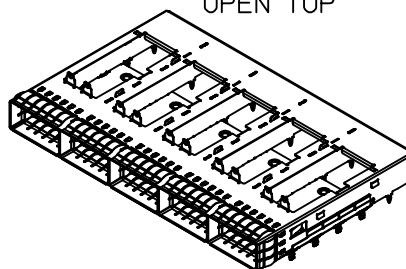
NO HEATSINKS
WITH LIGHT PIPES
CLOSED TOP



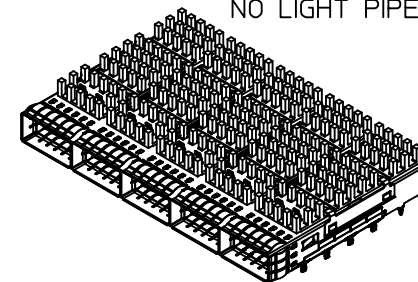
NO HEATSINKS
NO LIGHT PIPES
CLOSED TOP



NO HEATSINKS
NO LIGHT PIPES
OPEN TOP



WITH HEATSINKS
NO LIGHT PIPES



MOLEX P/N	LIGHTPIPES	#OF REAR LEGS PER PORT
1000191231	SINGLE	0
1000191232	SINGLE	1
1000191233	DUAL	0
1000191234	DUAL	1
1000191235	QUAD	0
1000191236	QUAD	1

MOLEX P/N W/ SPRING FINGERS	# OF REAR LEGS PER PORT
1000191240	0
1000191242	1

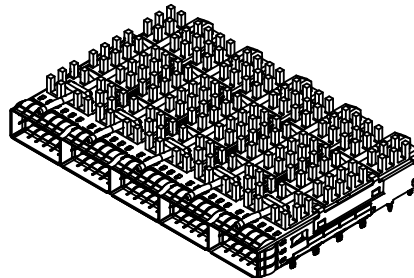
MOLEX P/N W/ SPRING FINGERS	# OF REAR LEGS PER PORT
1000191250	0
1000191252	1

MOLEX P/N	HEATSINKS	#OF REAR LEGS PER PORT
1000191340	PCI	0
1000191341	SAN	0
1000191342	NET	0
1000191343	PCI	1
1000191344	SAN	1
1000191345	NET	1

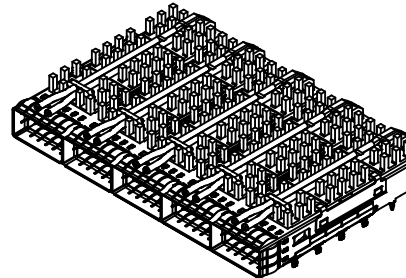
WITH HEATSINKS AND LIGHT PIPES

MOLEX P/N	LIGHTPIPES	HEATSINKS	#OF REAR LEGS PER PORT
1000191440	SINGLE	PCI	0
1000191441	SINGLE	SAN	0
1000191442	SINGLE	NET	0
1000191443	DUAL	PCI	0
1000191444	DUAL	SAN	0
1000191445	DUAL	NET	0
1000191446	QUAD	PCI	0
1000191447	QUAD	SAN	0
1000191448	QUAD	NET	0
1000191540	SINGLE	PCI	1
1000191541	SINGLE	SAN	1
1000191542	SINGLE	NET	1
1000191543	DUAL	PCI	1
1000191544	DUAL	SAN	1
1000191545	DUAL	NET	1
1000191546	QUAD	PCI	1
1000191547	QUAD	SAN	1
1000191548	QUAD	NET	1

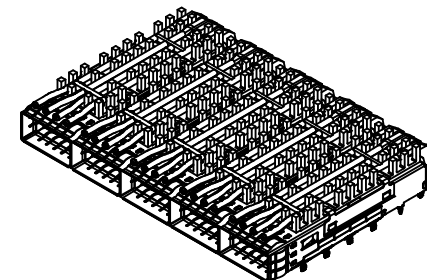
SINGLE LIGHT PIPE



DUAL LIGHT PIPE

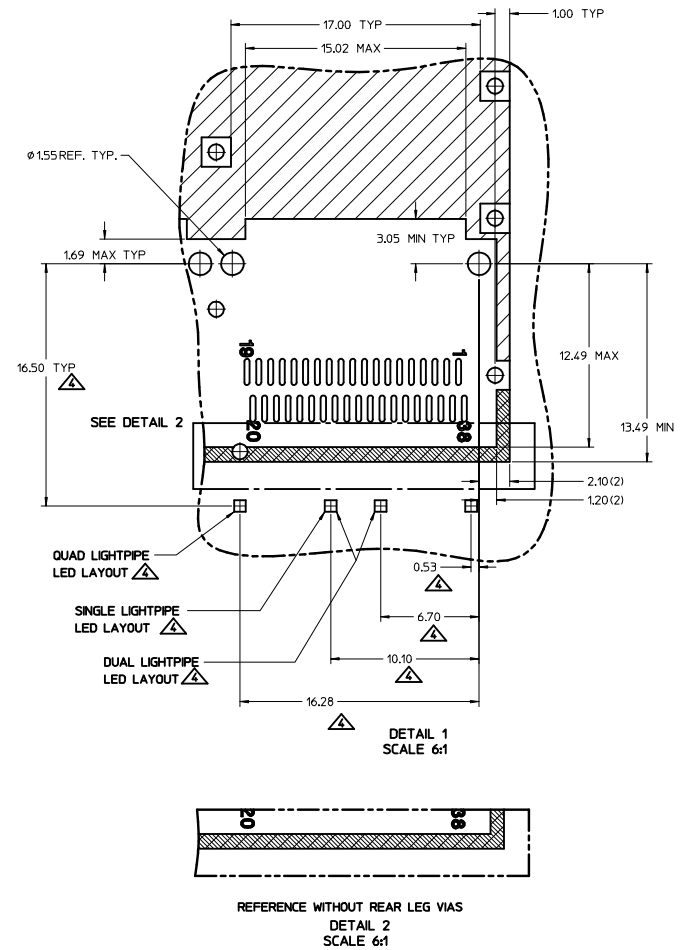
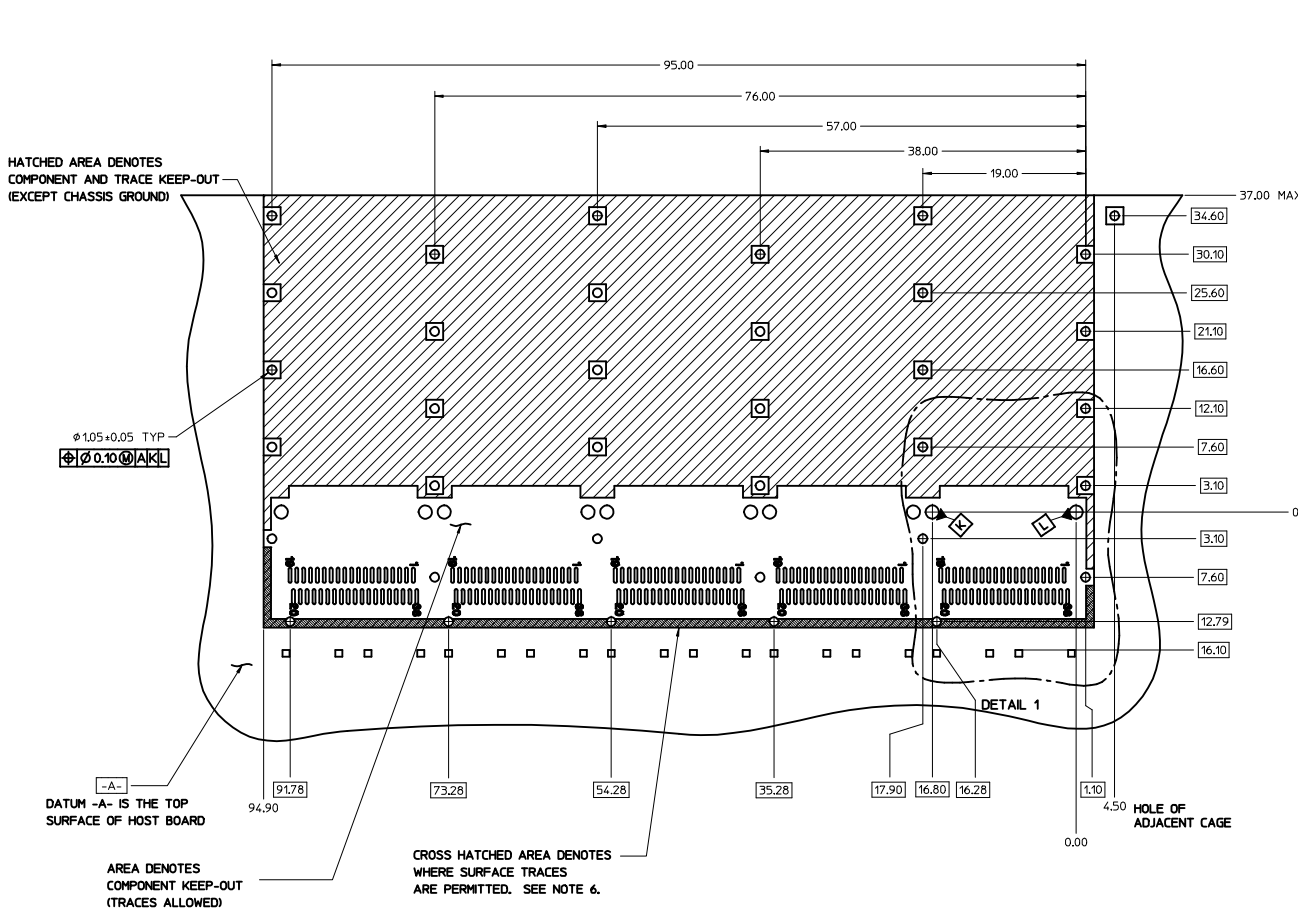


QUAD LIGHT PIPE



SEE REVISION TABLE EC NO: CPG2015-5449 TDR: W/MALLACE01 2015/04/14 CHKD: JEFF HATTON 2015/04/15 APPR: K LLOYD 2015/04/17	QUALITY SYMBOLS ∇=0 ∇=0 ∇=0	GENERAL TOLERANCES (UNLESS SPECIFIED): mm INCH		DIMENSION STYLE MM ONLY	SCALE 1.5:1	DESIGN UNITS METRIC	THIRD ANGLE PROJECTION
		4 PLACES ± --- ± --- 3 PLACES ± --- ± --- 2 PLACES ± 0.13 ± --- 1 PLACE ± 0.25 ± --- 0 PLACE ± --- ± ---	DRAWN BY DATE BREED 2013/01/21	CHECKED BY DATE TPRICE 2013/01/21	TITLE ZQSFP+ 1X5 GANGED CAGE ASSY'S SPRING FINGER WITH H/S & L/P OPTIONS		
		ANGULAR ± 2 ° DRAFT WHERE APPLICABLE MUST REMAIN WITHIN DIMENSIONS	APPROVED BY DATE K LLOYD 2013/04/08	MATERIAL NO. SEE DRAWING	DOCUMENT NO. SD-100019-1200	SHEET NO. 3 OF 7	
		THIS DRAWING CONTAINS INFORMATION THAT IS PROPRIETARY TO MOLEX INCORPORATED AND SHOULD NOT BE USED WITHOUT WRITTEN PERMISSION					

PCB LAYOUT FOR SINGLE SIDED MOUNTING



NOTES:

1. PADS AND VIAS GO TO CHASSIS GROUND. (RECOMMENDED PADS TO BE 2.00mm SQUARE.)
2. RECOMMENDED THRU HOLE PLATING INCLUDES HASL, OSP, OR IMMERSION (GOLD, SILVER, OR TIN).
3. CONNECTOR PAD LAYOUT PER SFF-8663 WILL ACCOMODATE MOLEX CONNECTOR SERRIES 170432.
4. NOTED DIMENSIONS ONLY APPLY TO CAGE ASSEMBLIES WITH LIGHT PIPES.
5. REFERENCE WHEN REAR LEGS ARE PRESENT. IF NO REAR LEGS, VIA AREA CAN BE USED FOR SURFACE TRACES. SEE SINGLE SIDE LAYOUT, DETAIL 2.

SEE REVISION TABLE		QUALITY SYMBOLS		GENERAL TOLERANCES (UNLESS SPECIFIED)		DIMENSION STYLE		SCALE		DESIGN UNITS		THIRD ANGLE PROJECTION	
REV	DESCRIPTION	mm	INCH	mm	INCH	MM ONLY	DATE	3.5:1	METRIC	DATE	TITLE	SHEET NO.	
1	DRW:WALLACE01 2015/04/14	±0.13	±0.005	±0.13	±0.005	MM ONLY	2013/01/21	3.5:1	METRIC	2013/01/21	ZQSFP+ 1X5 GANGED CAGE ASSY'S SPRING FINGER WITH H/S & L/P OPTIONS	4 OF 7	
2	CHKD:JEFF HATTON 2015/04/15	±0.25	±0.010	±0.25	±0.010	MM ONLY	2013/01/21	3.5:1	METRIC	2013/01/21	ZQSFP+ 1X5 GANGED CAGE ASSY'S SPRING FINGER WITH H/S & L/P OPTIONS	4 OF 7	
3	APPR:K LLOYD 2015/04/22	±0.25	±0.010	±0.25	±0.010	MM ONLY	2013/04/08	3.5:1	METRIC	2013/04/08	ZQSFP+ 1X5 GANGED CAGE ASSY'S SPRING FINGER WITH H/S & L/P OPTIONS	4 OF 7	
MATERIAL NO. SEE DRAWING		ANGULAR ± 2 °		DRAFT WHERE APPLICABLE MUST REMAIN WITHIN DIMENSIONS		DRAWN BY BREED		CHECKED BY TPRICE		APPROVED BY K LLOYD		DOCUMENT NO. SD-100019-1200	
THIS DRAWING CONTAINS INFORMATION THAT IS PROPRIETARY TO MOLEX INCORPORATED AND SHOULD NOT BE USED WITHOUT WRITTEN PERMISSION													

PCB LAYOUT FOR BELLY TO BELLY MOUNTING

NOTE:
SEE SHEET 4 FOR
HOST CONNECTOR DETAIL
AND LED LOCATION DETAILS

HATCHED AREA DENOTES
COMPONENT AND TRACE KEEP-OUT
(EXCEPT CHASSIS GROUND)

DATUM -A- IS THE TOP
SURFACE OF HOST BOARD

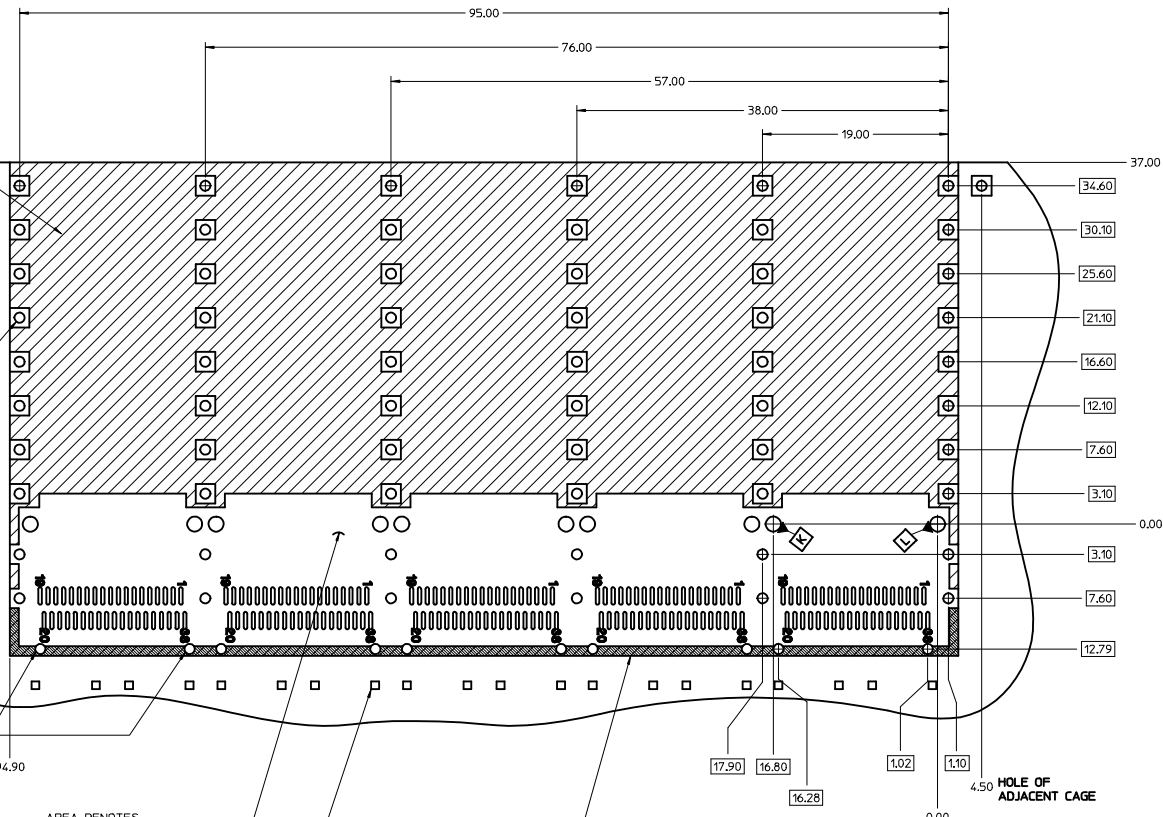
Ø1.05±0.05 TYP
Φ|Ø 0.10 @|A|k|L

HOLES FOR OPTIONAL
REAR LEGS

AREA DENOTES
COMPONENT KEEP-OUT
(TRACES ALLOWED)

FOR CAGE ASSEMBLIES
WITH LIGHT PIPES

CROSS HATCHED AREA DENOTES
WHERE SURFACE TRACES
ARE PERMITTED. SEE NOTE 5.



NOTES:

1. PADS AND VIAS GO TO CHASSIS GROUND. (RECOMMENDED PADS TO BE 2.00mm SQUARE.)
2. RECOMMENDED THRU HOLE PLATING INCLUDES HASL, OSP, OR IMMERSION (GOLD, SILVER, OR TIN).
3. CONNECTOR PAD LAYOUT PER SFF-8663 WILL ACCOMODATE MOLEX CONNECTOR SERRIES 170432.
4. REFERENCE WHEN REAR LEGS ARE PRESENT. IF NO REAR LEGS, VIA AREA CAN BE USED FOR SURFACE TRACES. SEE SINGLE SIDE LAYOUT, DETAIL 2 ON SHEET 4.

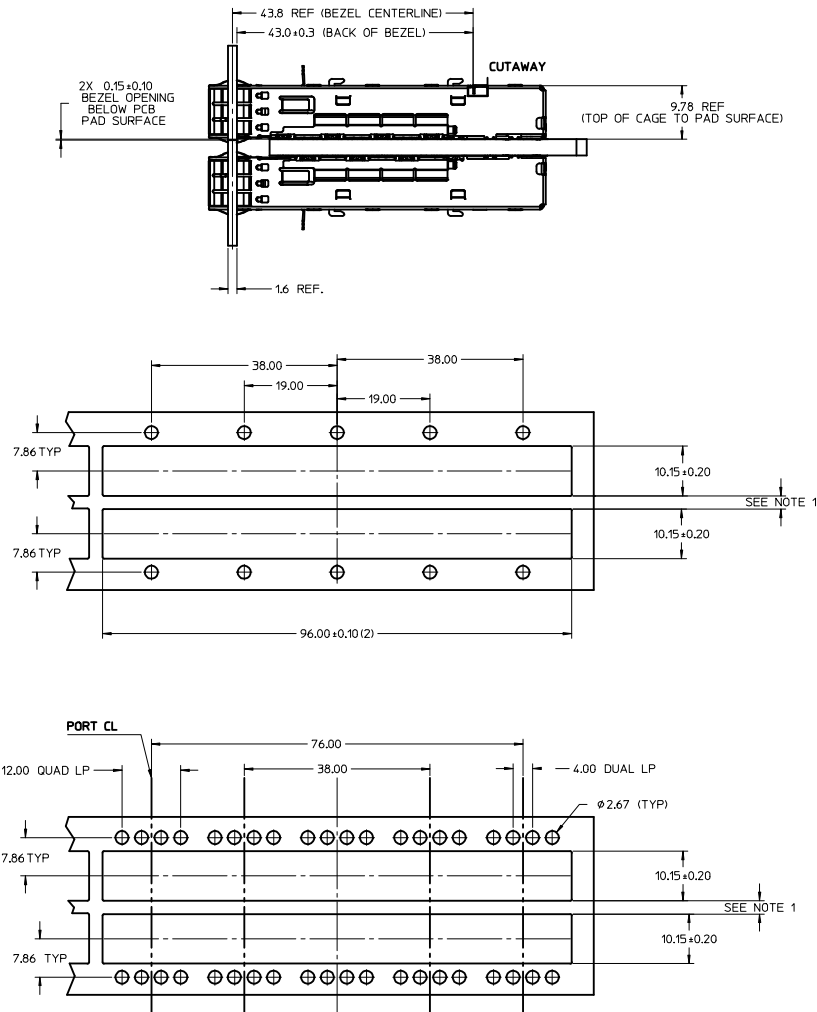
SEE REVISION TABLE EC NO: CPG2015-5449 DRAWN: WALLACE 2015/04/14 CHECKED: EFF HATTON 2015/04/15 APPROVED: K LLOYD 2015/04/22	QUALITY SYMBOLS	GENERAL TOLERANCES (UNLESS SPECIFIED)	DIMENSION STYLE	SCALE	DESIGN UNITS	THIRD ANGLE PROJECTION
	▽=0	4 PLACES ± mm INCH	MM ONLY	4:1	METRIC	
	▽=0	3 PLACES ±	DRAWN BY DATE			
	▽=0	2 PLACES ±0.13 ±	CHECKED BY DATE			
		1 PLACE ±0.25 ±	APPROVED BY DATE			
		0 PLACE ±	K LLOYD 2013/04/08			
		ANGULAR ± 2 °	MATERIAL NO.	DOCUMENT NO.		
		DRAFT WHERE APPLICABLE MUST REMAIN WITHIN DIMENSIONS	SEE DRAWING	SD-100019-1200		
			THIS DRAWING CONTAINS INFORMATION THAT IS PROPRIETARY TO MOLEX INCORPORATED AND SHOULD NOT BE USED WITHOUT WRITTEN PERMISSION			

TITLE
ZQSFP+ 1X5 GANGED CAGE
ASSY'S SPRING FINGER
WITH H/S & L/P OPTIONS

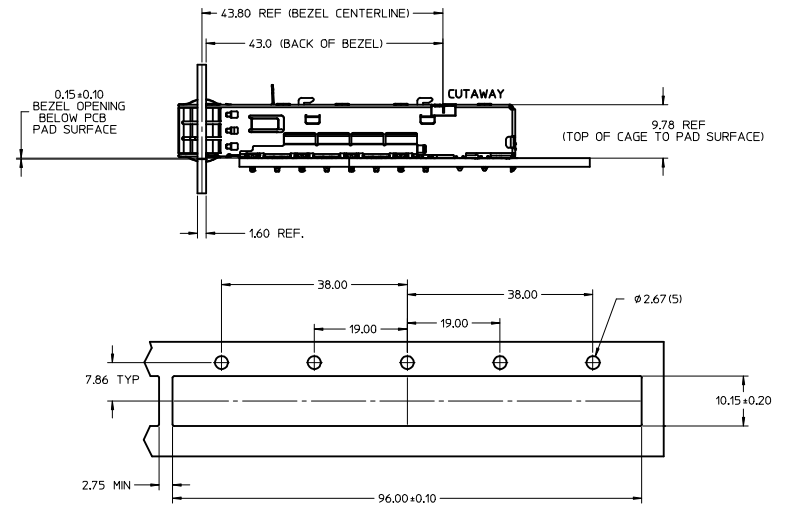
molex

SHEET NO.
5 OF 7

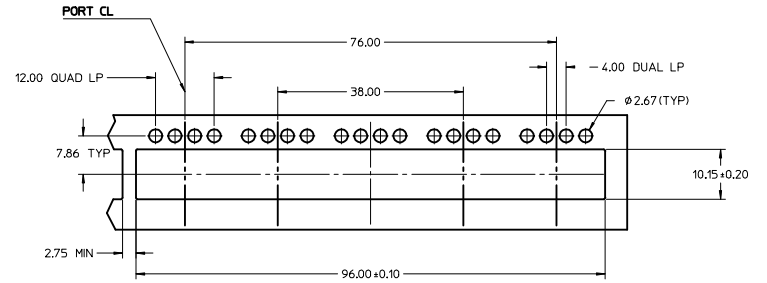
BEZEL AND BOARD POSITION DIMENSIONS FOR BELLY TO BELLY MOUNTING



BEZEL AND BOARD POSITION DIMENSIONS FOR SINGLE SIDED MOUNTING



DUAL LIGHT PIPE



NOTE:
1. PCB THICKNESS VARIATION MUST BE CONSIDERED WHEN DETERMINING BEZEL OPENING LOCATION.
NOTED DIMENSIONS ONLY APPLY TO CAGE ASSEMBLIES WITH LIGHT PIPES.

SEE REVISION TABLE EC NO: CPG2015-5449 DRAWN: WALLACE1 2015/04/14 CHKD: EFF HATTON 2015/04/15 APPR: K LLOYD 2015/04/22	QUALITY SYMBOLS	GENERAL TOLERANCES (UNLESS SPECIFIED)	DIMENSION STYLE	SCALE	DESIGN UNITS	THIRD ANGLE PROJECTION
	$\nabla=0$	mm	MM ONLY	2.5:1	METRIC	
	$\nabla=0$	INCH				
	$\nabla=0$					
	DESCRIPTION	4 PLACES ± ---	DRAWN BY	DATE	TITLE	
		3 PLACES ± ---	BREED	2013/01/21	ZQSFP+ 1X5 GANGED CAGE ASSY'S SPRING FINGER WITH H/S & L/P OPTIONS	
		2 PLACES ± 0.13	CHECKED BY	DATE		
		1 PLACE ± 0.25	TPRICE	2013/01/21		
		0 PLACE ± ---	APPROVED BY	DATE		
			K LLOYD	2013/04/08		
		ANGULAR ± 2 °	MATERIAL NO.	DOCUMENT NO.		
		DRAFT WHERE APPLICABLE MUST REMAIN WITHIN DIMENSIONS	SEE DRAWING	SD-100019-1200		
			SIZE			

SHEET NO. 6 OF 7

molex

