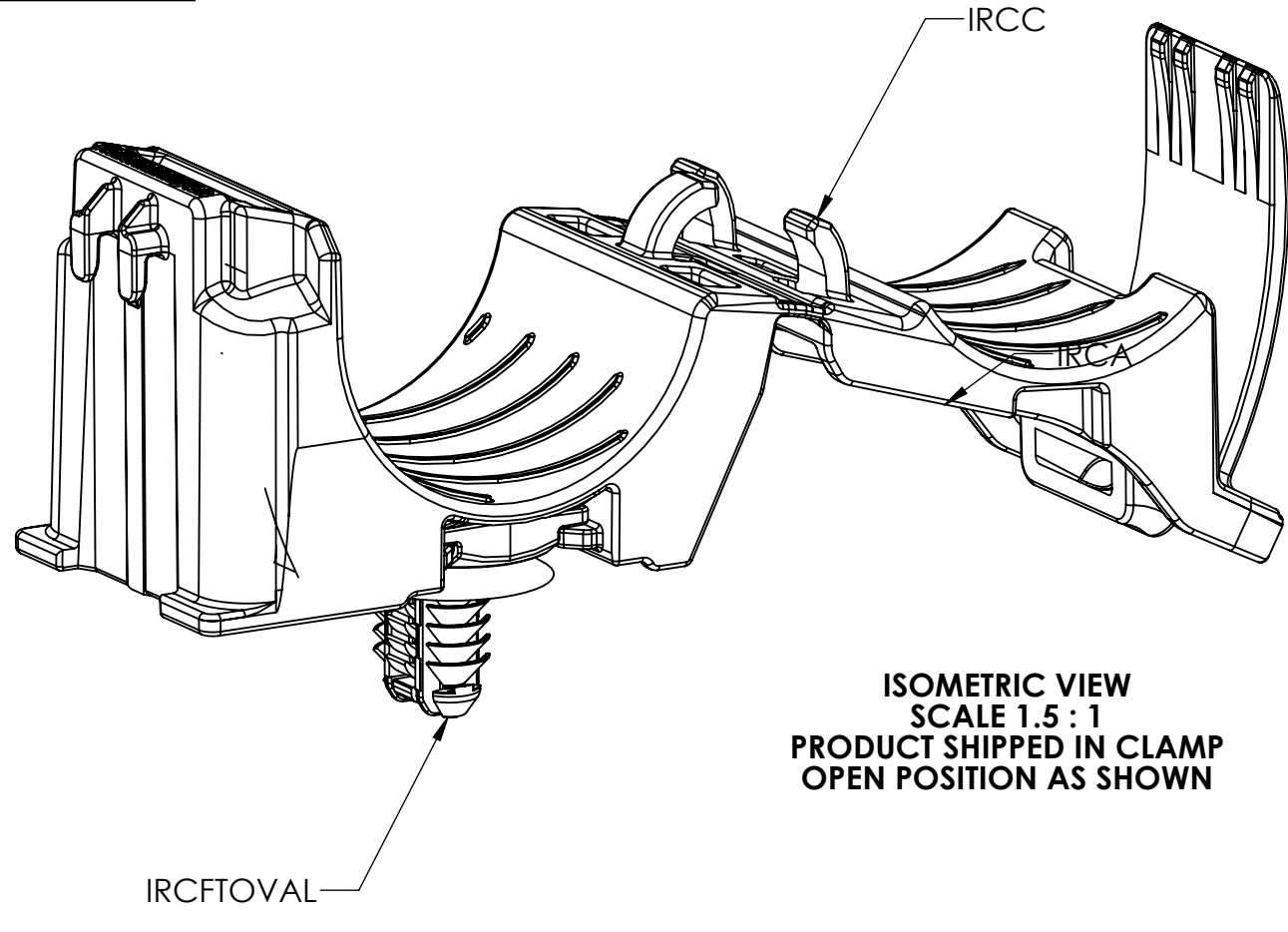
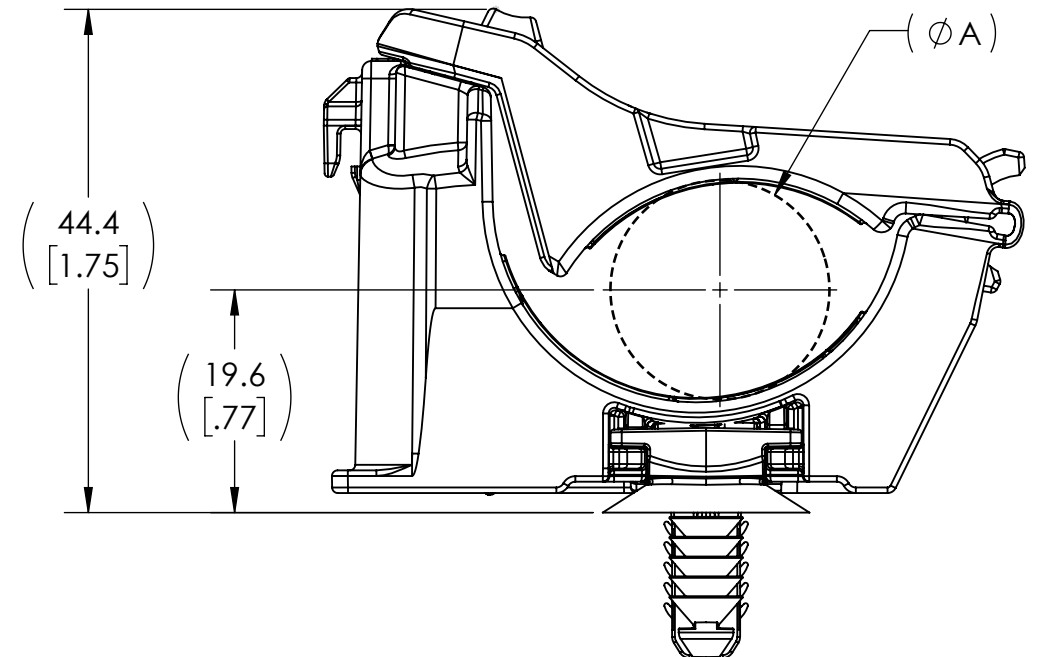
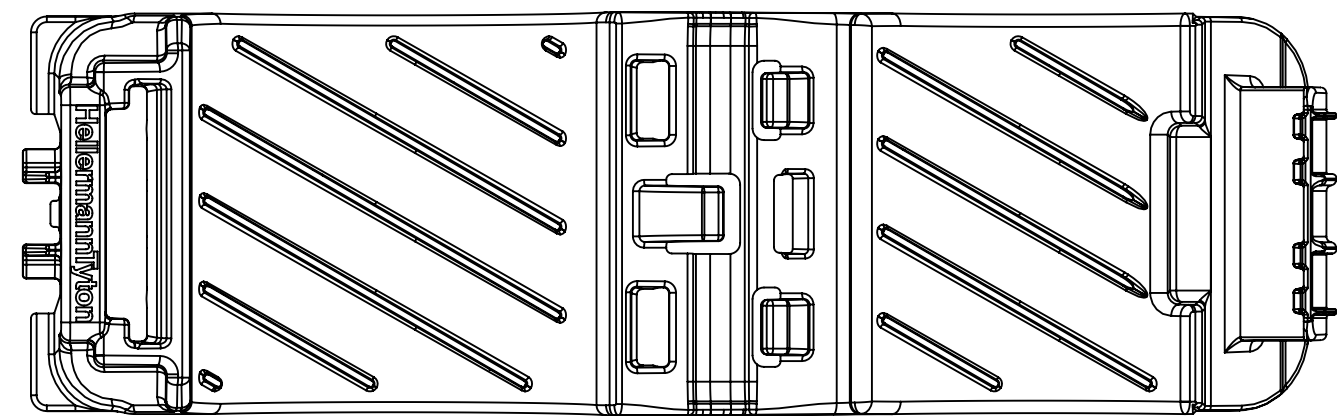


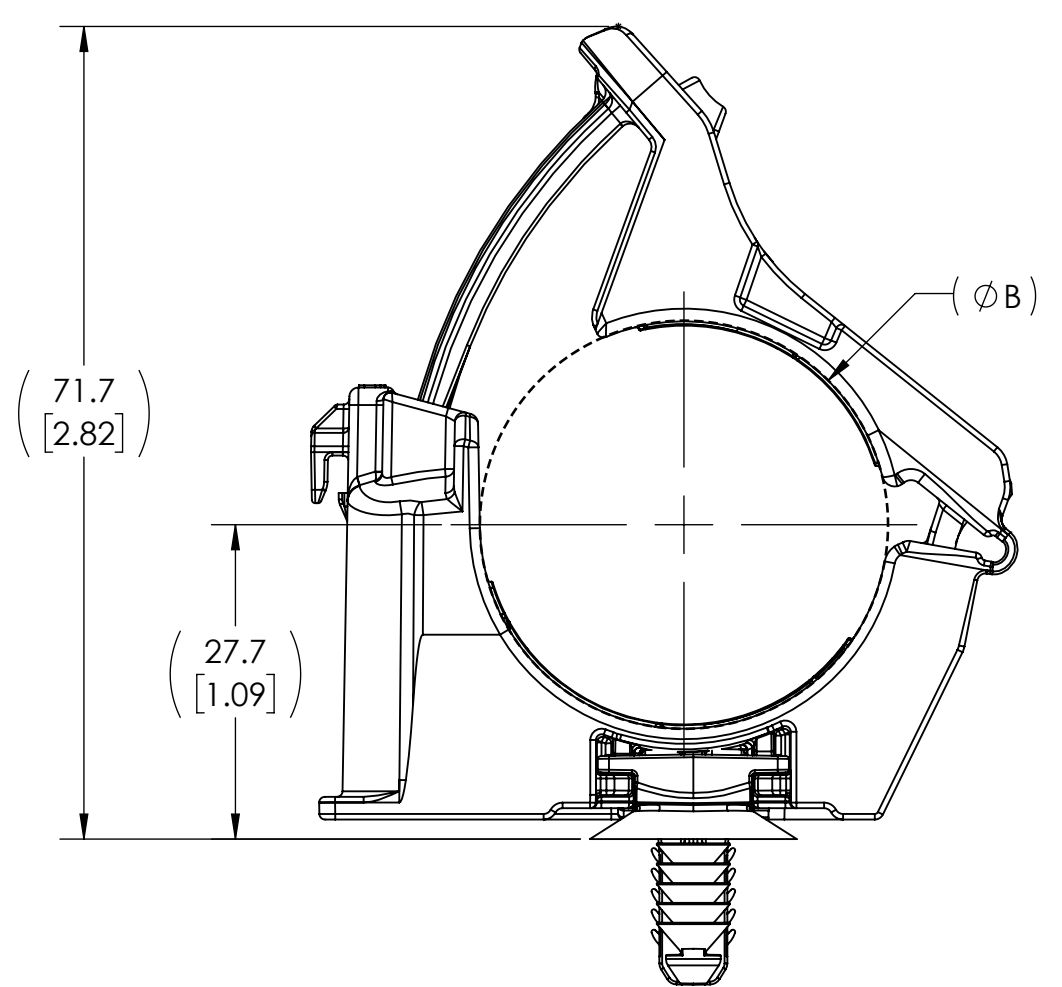
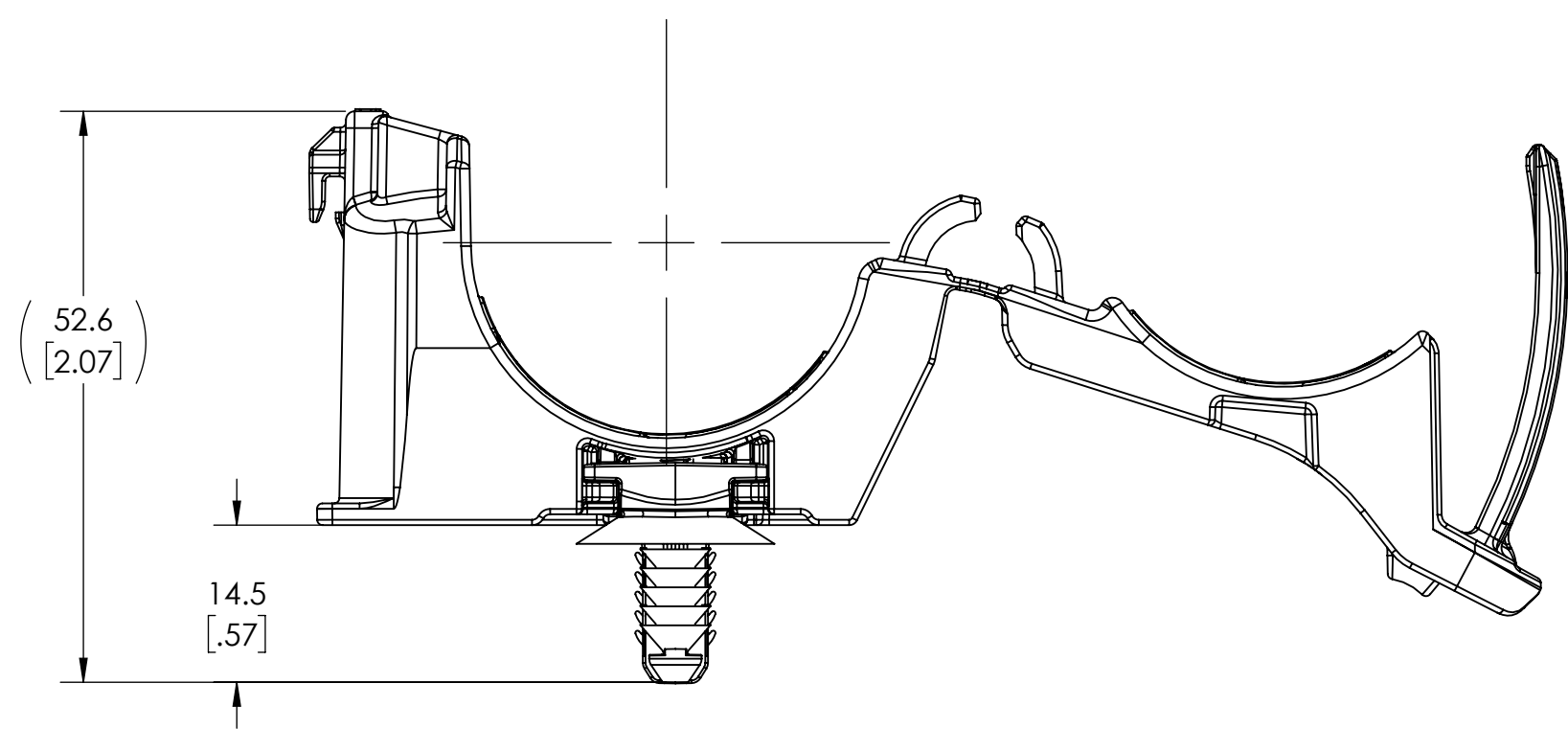
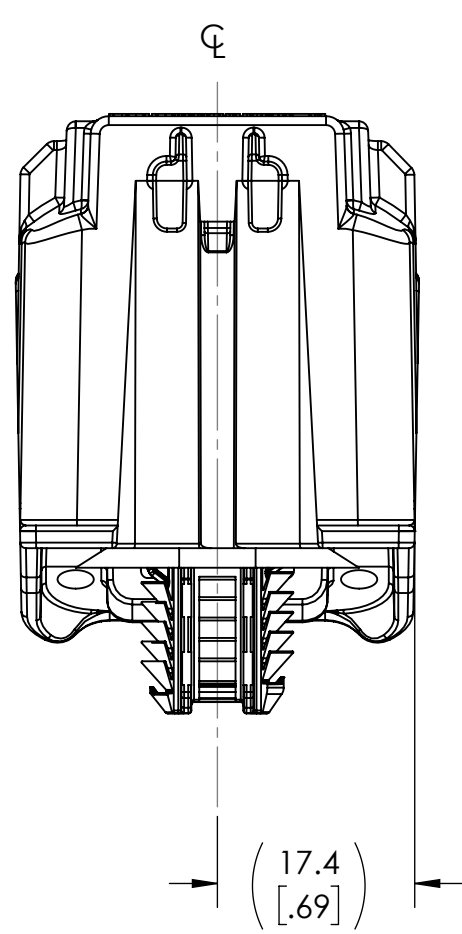
Revision level			Revision Record	Changed	Date	Approved	Date
Drawing	State	Part					
00.0	Design Release		SEE ECN# 015255	MHT	06/28/2019	CTF	06/28/2019



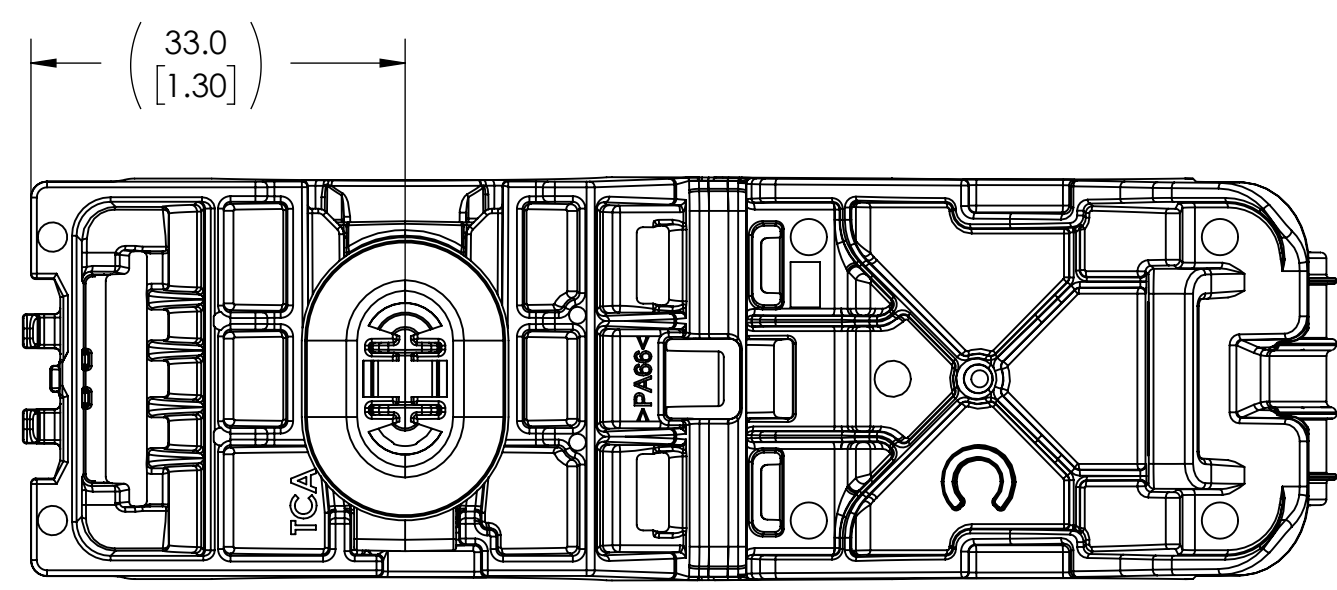
ISOMETRIC VIEW  
SCALE 1.5 : 1  
PRODUCT SHIPPED IN CLAMP  
OPEN POSITION AS SHOWN



MINIMUM BUNDLE DIAMETER




MAXIMUM BUNDLE DIAMETER



- REFERENCE:**
- SHEET METAL THICKNESS RANGE: 0.60mm - 6.75mm
  - APPLICABLE HOLE SIZE:
    - A. 6.2 X 12.2mm +/-0.2
    - B. 6.5 X 12.5mm +0.2/-0.4
    - C. 6.5 X 13.0mm +/-0.2
    - D. 7.0 X 12.0mm +/-0.2

GLOBAL PART DESCRIPTION	BUNDLE TYPES	(A) MINIMUM DIAMETER	(B) MAXIMUM DIAMETER	IRCC CLAMP			IRCCTOVAL CONNECTOR CLIP		
				DRAWING	MATERIAL	COLOR	DRAWING	MATERIAL	COLOR
IRCCTOVAL-PA66HIRHSUV-BK	SOFT	19.4 [.76]	36.0 [1.42]	16-1641-003-CSU	PA66HIRHSUV	BLACK	16-1645-041-CSU	PA66HIRHSUV	BLACK
	HARD	18.6 [.73]	35.2 [1.39]						

Notes	Material SEE CHART	Units: millimeters Dimension without tolerances details to: .xxx = ±.013 .xx = ±.13 .x = ±.3 None = ±.8 ∠ = ±0.5° Dimension Formatted mm/[in]	The copyright of this drawing is reserved by HellermannTyton. It is issued on condition that it is not reproduced, copied, or disclosed to a third party, either wholly or in part, without the consent of HellermannTyton.	Drawn	MHT	06/24/2019	Article/Type-No IRCCCTOVAL	Scale 3:2	
				Approved	CTF	06/24/2019			
				 North America Email: corp@htamericas.com Web: www.hellermann.tyton.com					
							Title	INLIE RATCHET P-CLAMP C WITH 7X12mm FIR TREE (FTOVAL)	Project Number PRP19-0330
							Drawing-No	19-0330-103-CSU	Format C
							Production : Phase		Sheet 1/1