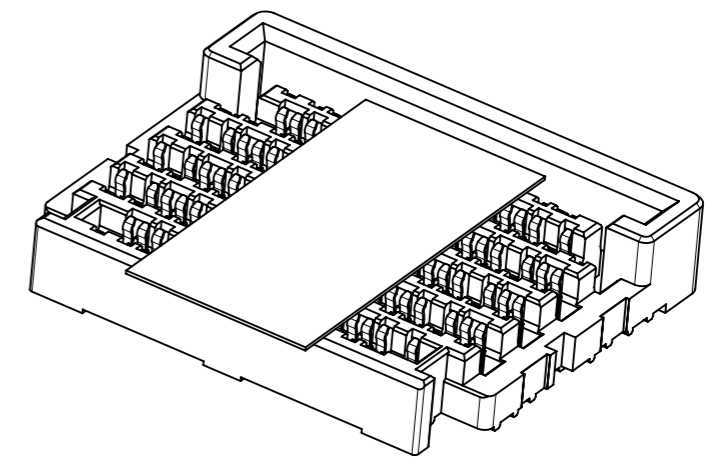
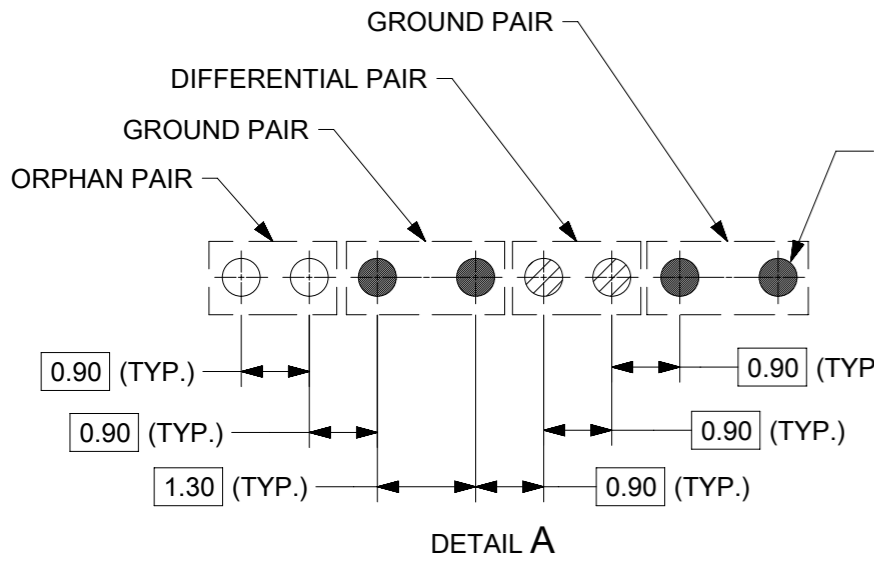


NOTES:

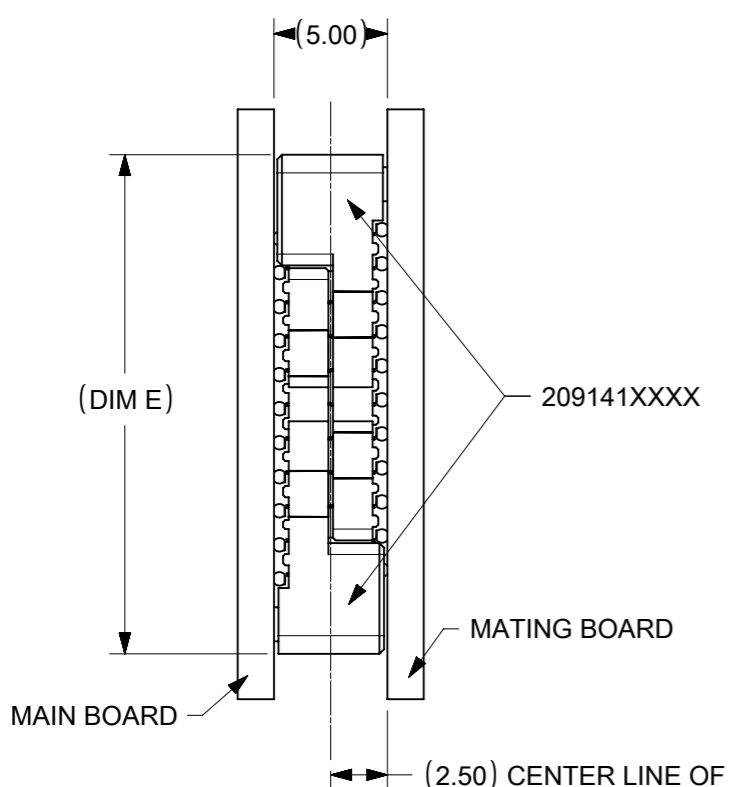
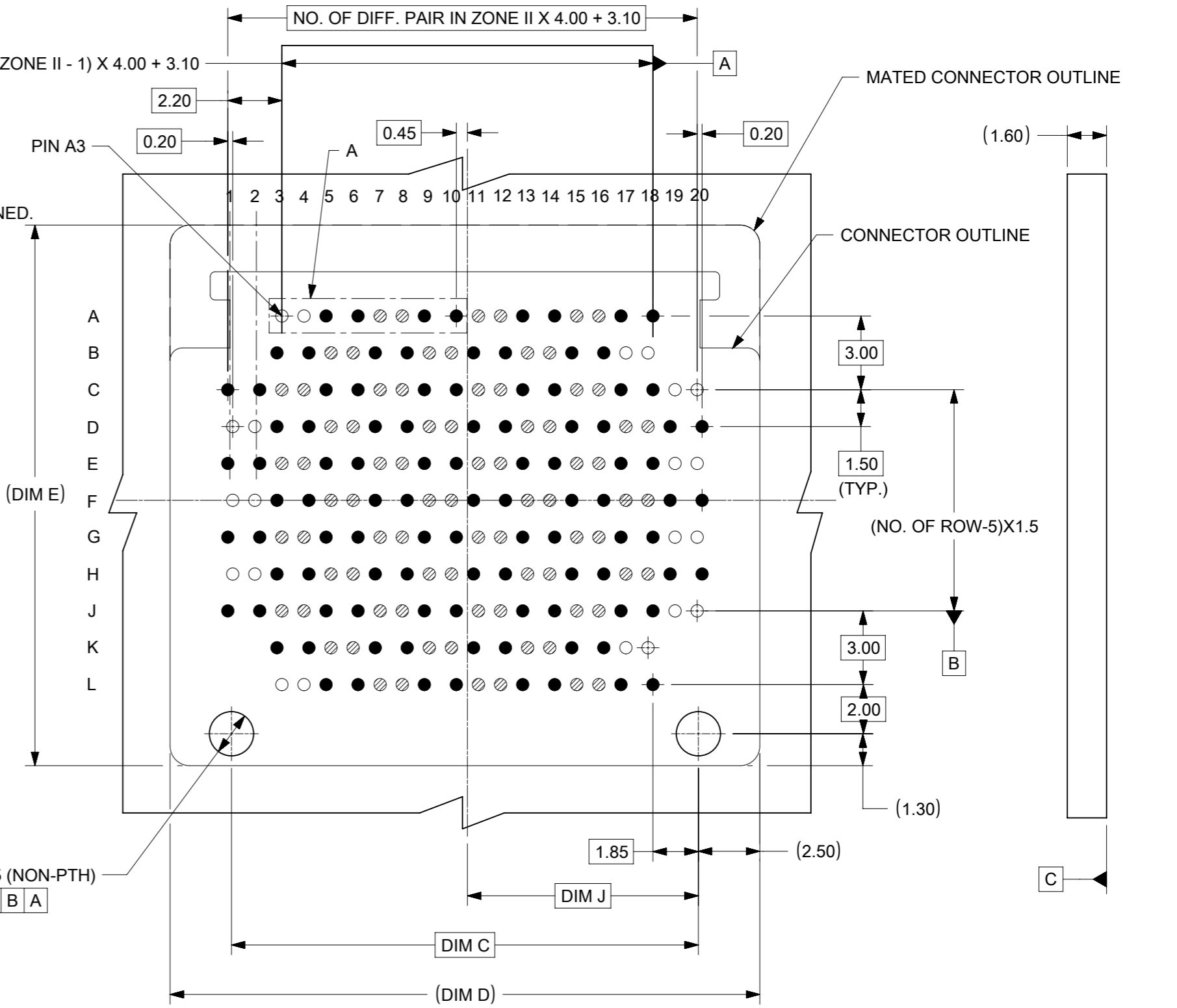
1. MATERIALS: HOUSING - HIGH TEMPERATURE THERMOPLASTIC, UL94V-0  
TERMINALS - HIGH PERFORMANCE COPPER ALLOY  
SOLDER BALL - LEAD FREE SAC SOLDER ALLOY
2. FINISH: 30µ" GOLD ON ALL CONTACT AREA.  
50µ" MIN. NICKEL OVERALL.
3. PRODUCT SPECIFICATION: 2091410001-PS PS 000.
4. PACKAGING SPECIFICATION: 209141XXXX.
5. SEE SHEET 2 FOR PCB LAYOUT.
6. REFER TO PCB LAYOUT FOR THE POSITION OF DIFFERENTIAL PAIR AND ORPHAN PAIR, AND REFER TO 2028280001-AS PS 000 FOR MORE DETAILS.
7. FOR ILLUSTRATION PURPOSES, CONNECTOR USED IN THIS DRAWING IS 209141-1104, 4 DIFFERENTIAL PAIR (IN ZONE II) X 11 ROW.
8. FOR ILLUSTRATION PURPOSES, PIN MAPPINGS OF 209141-0504/1110 ARE SHOWN IN SHEET 4.



THIS DRAWING CONTAINS INFORMATION THAT IS PROPRIETARY TO MOLEX ELECTRONIC TECHNOLOGIES, LLC AND SHOULD NOT BE USED WITHOUT WRITTEN PERMISSION									
DIMENSION UNITS <b>mm</b>		SCALE <b>NTS</b>		CURRENT REV DESC: REVISED.				<b>molex</b>	
GENERAL TOLERANCES (UNLESS SPECIFIED)		EC NO: 621109		DRWN: HCGOH 2019/07/23		MIRROR MEZZ, 2.5MM HEIGHT			
ANGULAR TOL ± °		4 PLACES ±		CHK'D: NZENG 2019/09/02		PRODUCT CUSTOMER DRAWING		DOCUMENT NUMBER	
3 PLACES ±		2 PLACES ± 0.2		APPR: SHONG 2019/09/03		INITIAL REVISION:		DOC TYPE	
1 PLACE ±		1 PLACE ±		DRWN: HCGOH 2019/05/15		DRWN: HCGOH 2019/07/02		DOC PART	
0 PLACES ±		DRAFT WHERE APPLICABLE MUST REMAIN WITHIN DIMENSIONS		APPR: SHONG		SERIES		REVISION	
THIRD ANGLE PROJECTION		DRAWING		MATERIAL NUMBER		CUSTOMER		SHEET NUMBER	
A3-SIZE		209141		SEE CHART		GENERAL MARKET		1 OF 4	

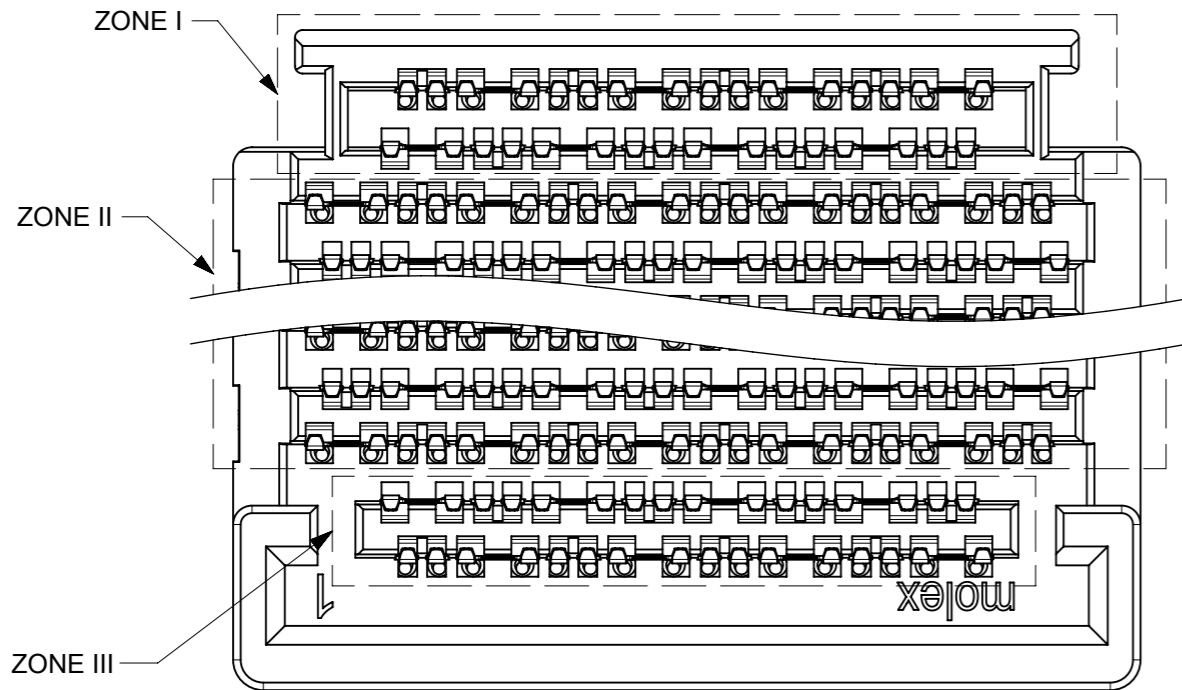


Ø0.50±0.05 PAD  
 ⊕ Ø0.05 C B A  
 Ø0.60±0.05 SOLDER MASK APERTURE  
 NON-SOLDER MASK DEFINED.



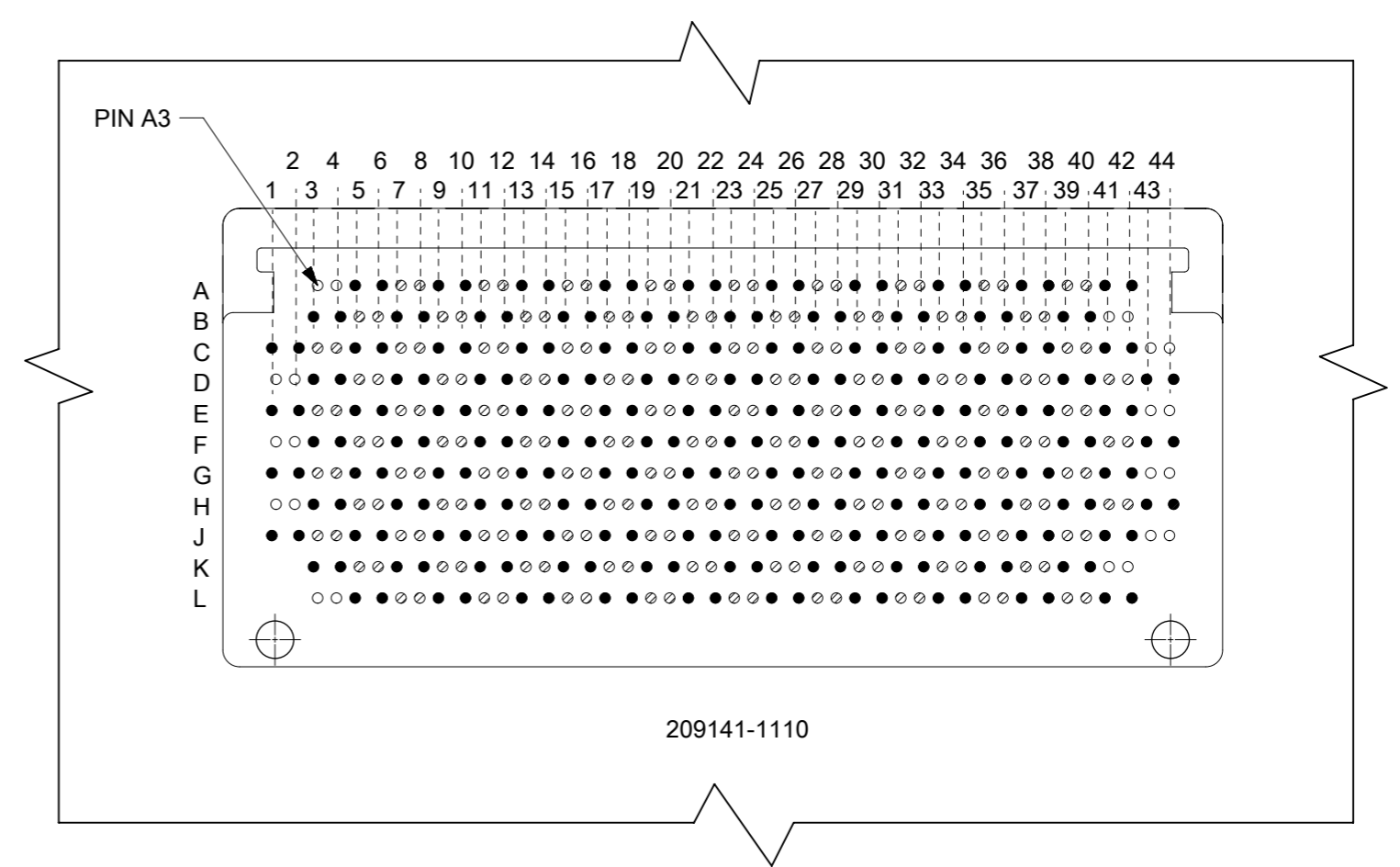
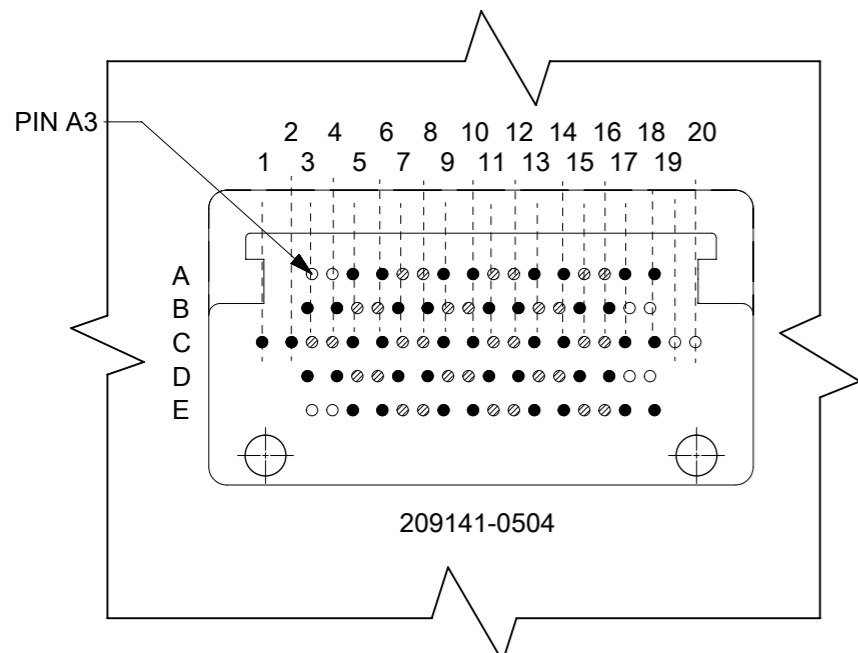
THIS DRAWING CONTAINS INFORMATION THAT IS PROPRIETARY TO MOLEX ELECTRONIC TECHNOLOGIES, LLC AND SHOULD NOT BE USED WITHOUT WRITTEN PERMISSION		CURRENT REV DESC: REVISED.		<b>molex</b>	
DIMENSION UNITS	SCALE				
mm	NTS			PRODUCT CUSTOMER DRAWING	
GENERAL TOLERANCES (UNLESS SPECIFIED)		EC NO: 621109		DOCUMENT NUMBER	
ANGULAR TOL	± °	DRWN: HCGOH 2019/07/23		2091410001	
4 PLACES	±	CHK'D: NZENG 2019/09/02		DOC TYPE	DOC PART
3 PLACES	±	APPR: SHONG 2019/09/03		PSD	000
2 PLACES	± 0.2	INITIAL REVISION:		REVISION	
1 PLACE	±	DRWN: HCGOH 2019/05/15		A1	
0 PLACES	±	APPR: SHONG 2019/07/02			
DRAFT WHERE APPLICABLE MUST REMAIN WITHIN DIMENSIONS		THIRD ANGLE PROJECTION	DRAWING	SERIES	MATERIAL NUMBER
			A3-SIZE	209141	SEE CHART
				CUSTOMER	SHEET NUMBER
				GENERAL MARKET	2 OF 4

MATERIAL NO.	NO. OF ROW (ZONE I, II & III)	NO. OF DIFFERENTIAL PAIR PER ROW IN ZONE II (EXCLUDING ORPHAN PAIR)	NO. OF DIFFERENTIAL PAIR PER ROW IN ZONE I & III (EXCLUDING ORPHAN PAIR)	TOTAL NO. OF DIFFERENTIAL PAIR (EXCLUDING ORPHAN PAIR)	TOTAL NO. OF ORPHAN PAIR	TOTAL NO. OF S. BALL	DIM A	DIM B	DIM C	DIM D	DIM E	DIM F	DIM G	DIM H	DIM J
209141-0504	05	04	03	16	05	84	24.00	11.10	19.0	24.0	13.00	9.6	7.2	9.6	9.4
209141-0510		10	09	46		204	48.00		43.0	48.0			14.6	18.8	21.4
209141-0704	07	04	03	24	07	124	24.00	14.10	19.0	24.0	16.00	12.3	7.2	9.6	9.4
209141-0002		10	09	66		292	48.00		43.0	48.0			14.6	18.8	21.4
209141-1104	11	04	03	40	11	204	24.00	20.10	19.0	24.0	22.00	18.8	7.2	9.6	9.4
209141-1110		10	09	106		468	48.00		43.0	48.0			14.6	18.8	21.4
209141-1504	15	04	03	56	15	284	24.00	26.10	19.0	24.0	28.00	24.6	7.2	9.6	9.4
209141-1510		10	09	146		644	48.00		43.0	48.0			14.6	18.8	21.4
209141-2504	25	04	03	96	25	484	24.00	41.10	19.0	24.0	43.00	39.6	7.2	9.6	9.4
209141-2510		10	09	246		1084	48.00		43.0	48.0			14.6	18.8	21.4



ABOVE CONFIGURATION SHOWN FOR ILLUSTRATION

THIS DRAWING CONTAINS INFORMATION THAT IS PROPRIETARY TO MOLEX ELECTRONIC TECHNOLOGIES, LLC AND SHOULD NOT BE USED WITHOUT WRITTEN PERMISSION															
DIMENSION UNITS		SCALE		CURRENT REV DESC: REVISED.						<b>molex</b>					
mm		NTS													
GENERAL TOLERANCES (UNLESS SPECIFIED)				EC NO: 621109						MIRROR MEZZ, 2.5MM HEIGHT					
ANGULAR TOL ± °				DRWN: HCGOH 2019/07/23											
4 PLACES ±				CHK'D: NZENG 2019/09/02						PRODUCT CUSTOMER DRAWING					
3 PLACES ±				APPR: SHONG 2019/09/03											
2 PLACES ± 0.2				INITIAL REVISION:						DOCUMENT NUMBER					
1 PLACE ±				DRWN: HCGOH 2019/05/15						2091410001					
0 PLACES ±				APPR: SHONG 2019/07/02						DOC TYPE DOC PART REVISION					
DRAFT WHERE APPLICABLE MUST REMAIN WITHIN DIMENSIONS				THIRD ANGLE PROJECTION		DRAWING		SERIES		MATERIAL NUMBER		CUSTOMER		SHEET NUMBER	
						A3-SIZE		209141		SEE CHART		GENERAL MARKET		3 OF 4	



**209141-0504 PIN MAPPING (MAIN BOARD- MATING BOARD)**

/	/	A3-E3	A4-E4	...	A17-E17	A18-E18	/	/
/	/	B3-D3	B4-D4	...	B17-D17	B18-D18	/	/
C1-C1	C2-C2	C3-C3	C4-C4	...	C17-C17	C18-C18	C19-C19	C20-C20
/	/	D3-B3	D4-B4	...	D17-B17	D18-B18	/	/
/	/	E3-A3	E4-A4	...	E17-A17	E18-A18	/	/

**209141-1110 PIN MAPPING (MAIN BOARD-MATING BOARD)**

/	/	A3-L3	A4-L4	...	A41-L41	A42-L42	/	/
/	/	B3-K3	B4-K4	...	B41-K41	B42-K42	/	/
C1-J1	C2-J2	C3-J3	C4-J4	...	C41-J41	C42-J42	C43-J43	C44-J44
D1-H1	D2-H2	D3-H3	D4-H4	...	D41-H41	D42-H42	D43-H43	D44-H44
E1-G1	E2-G2	E3-G3	E4-G4	...	E41-G41	E42-G42	E43-G43	E44-G44
F1-F1	F2-F2	F3-F3	F4-F4	...	F41-F41	F42-F42	F43-F43	F44-F44
G1-E1	G2-E2	G3-E3	G4-E4	...	G41-E41	G42-E42	G43-E43	G44-E44
H1-D1	H2-D2	H3-D3	H4-D4	...	H41-D41	H42-D42	H43-D43	H44-D44
J1-C1	J2-C2	J3-C3	J4-C4	...	J41-C41	J42-C42	J43-C43	J44-C44
/	/	K3-B3	K4-B4	...	K41-B41	K42-B42	/	/
/	/	L3-A3	L4-A4	...	L41-A41	L42-A42	/	/

THIS DRAWING CONTAINS INFORMATION THAT IS PROPRIETARY TO MOLEX ELECTRONIC TECHNOLOGIES, LLC AND SHOULD NOT BE USED WITHOUT WRITTEN PERMISSION

DIMENSION UNITS <b>mm</b>	SCALE <b>NTS</b>	CURRENT REV DESC: REVISED.	<b>molex</b>		
GENERAL TOLERANCES (UNLESS SPECIFIED)		EC NO: 621109			
ANGULAR TOL ± °		DRWN: HCGOH 2019/07/23	PRODUCT CUSTOMER DRAWING		
4 PLACES ±		CHK'D: NZENG 2019/09/02	DOCUMENT NUMBER		
3 PLACES ±		APPR: SHONG 2019/09/03	2091410001		
2 PLACES ± 0.2		INITIAL REVISION:	DOC TYPE	DOC PART	REVISION
1 PLACE ±		DRWN: HCGOH 2019/05/15	PSD	000	A1
0 PLACES ±		APPR: SHONG 2019/07/02	SHEET NUMBER		
DRAFT WHERE APPLICABLE MUST REMAIN WITHIN DIMENSIONS	THIRD ANGLE PROJECTION	DRAWING	SERIES	MATERIAL NUMBER	CUSTOMER
		A3-SIZE	209141	SEE CHART	GENERAL MARKET