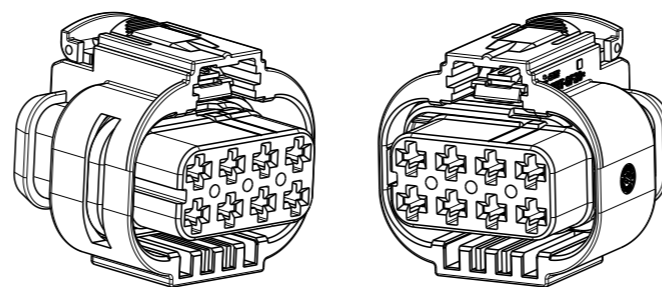
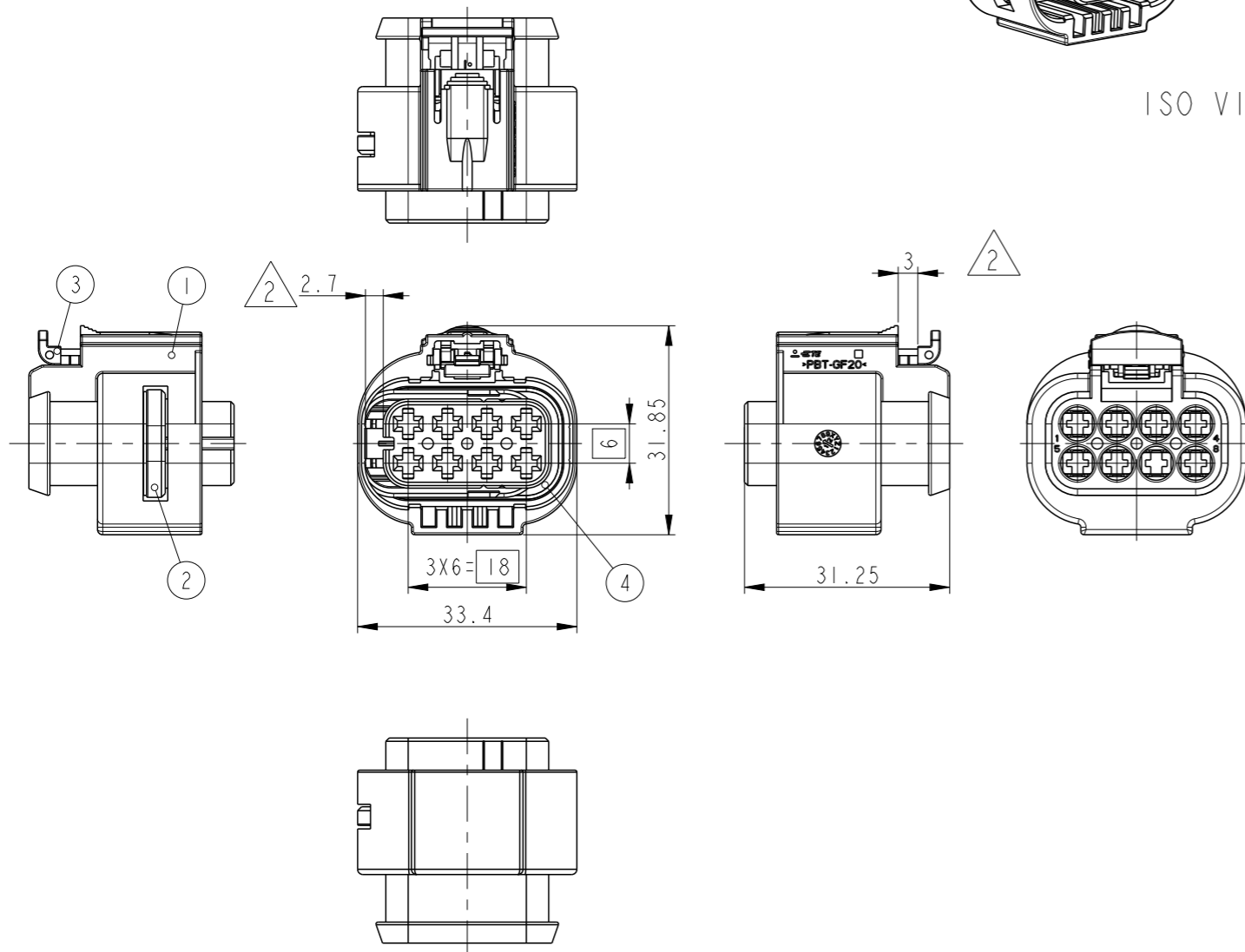


P	LTR	DESCRIPTION	DATE	DWN	APVD
A1		REVISED (ECR-13-010882)	11.DEC.'13	JM	HG
A2		REVISED (ECR-14-008729)	05.JUN.'14	JM	HG
A3		REVISED (ECR-20-009291)	30JUN2020	JH	YJ
A4		REVISED (ECR-23-174858)	10MAY2023	YH	KT



ISO VIEW



- NOTE,
 1. GENERAL TOLERANCE : ±0.3, ±3°
 2. CONDITION OF DELIVERY : DBL PLATE AND CPA HSG IN OPEN POSITION. BUT DBL PLATES OF 9-2109441-2 & 9-2109441-1 POSITION IS CLOSE.
 3. CODING
 4. APPLIED RECEPTACLE CONTACT P/N:SEE TABLE I
 5. MATING PART INTERFACE DRAWING : 114-61047
 6. INSTRUCTION SHEET : 411-61012

DESCRIPTION	CAVITY	CODE	REV	ASS'Y P/N
ALL CLOSED	Z	A	A	9-2109441-1
4P OPENED	A	A	A	9-2109441-2
ALL OPENED	D	A	A	3-2109441-9
6P OPENED	D	A	A	3-2109441-8
6P OPENED	C	A	A	3-2109441-1
4P OPENED	C	A	A	2-2109441-5
ALL OPENED	C	A	A	2-2109441-4
ALL OPENED	B	A	A	2-2109441-3
ALL OPENED	B	A	A	1-2109441-1
2P OPENED	A	A	A	0-2109441-6
7P OPENED	A	A	A	0-2109441-5
4P OPENED	A	A	A	0-2109441-4
2P OPENED	A	A	A	0-2109441-3
ALL OPENED	A	A	A	0-2109441-2

NO	FINISH/ COLOR	MATERIAL	CODE	CAVITY	REV	Q'TY
4	RED ORANGE	SILICONE	INNER SEAL		A	
3	TRAFFIC RED	PBT-GF10	CPA HSG		A	
2	TRAFFIC RED	PBT-GF30	DBL HSG		A	
1	NATURAL	PBT-GF20	PLUG HSG(CODE Z)	ALL CLOSED	A	
	BLACK		PLUG HSG(CODE A)	ALL CLOSED	A	
	LIGHT BLUE		PLUG HSG(CODE D)	4P OPENED	A	
			PLUG HSG(CODE D)	ALL OPENED	A	
	LIGHT GRAY		PLUG HSG(CODE D)	6P OPENED	A	
			PLUG HSG(CODE C)	6P OPENED	A	
	BLACK		PLUG HSG(CODE C)	4P OPENED	A	
			PLUG HSG(CODE C)	ALL OPENED	A	
			PLUG HSG(CODE B)	ALL OPENED	A	
			PLUG HSG(CODE A)	2P OPENED	A	
			PLUG HSG(CODE A)	7P OPENED	A	
			PLUG HSG(CODE A)	4P OPENED	A	
			PLUG HSG(CODE A)	2P OPENED	A	
			PLUG HSG(CODE A)	ALL OPENED	A	

TABLE I

CONTACT NAME	WIRE SIZE RANGE(mm ²)	DIAMETER OF INSULATION (mm)	P/N	WIRE SEAL	CAVITY PLUG
MCP 2.8	0.35	∅1.2~∅1.4	968882	828904-1	828922-1
	0.5~1.0	∅1.4~∅2.1	968855		
	1.5~2.5	∅2.2~∅3.0	968857	828905-1	

THIS DRAWING IS A CONTROLLED DOCUMENT.

DIMENSIONS: mm

TOLERANCES UNLESS OTHERWISE SPECIFIED: SEE NOTE

3rd ANGLE PROJECTION

MATERIAL: SEE TABLE

DWN: JM JEON
 CHK: JW JUNG
 APVD: HG CHO
 PRODUCT SPEC: 108-61165
 APPLICATION SPEC: 411-61012
 WEIGHT: -

CUSTOMER DRAWING

SCALE: 1:1

SHEET: 1 OF 2

REV: A4

NAME: MCP 2.8mm 8P PLUG ASS'Y

SIZE: A3 CAGE CODE: 00779 DRAWING NO: 2109441 RESTRICTED TO: -

TE Connectivity

THIS DRAWING IS UNPUBLISHED.

RELEASED FOR PUBLICATION

20

© COPYRIGHT 20 BY -

ALL RIGHTS RESERVED.

REVISIONS

P	LTR	DESCRIPTION	DATE	DWN	APVD
-	-	SEE SHEET 1	-	-	-

3

CODING

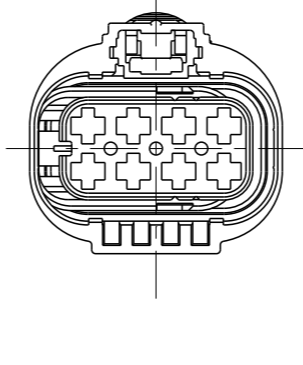
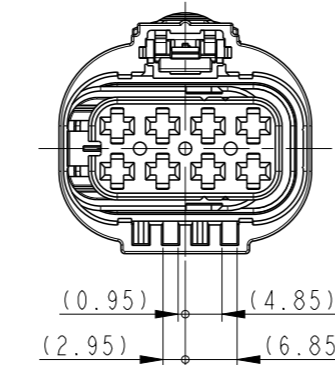
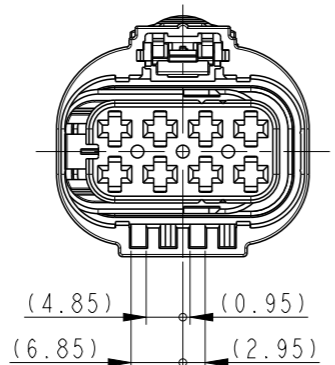
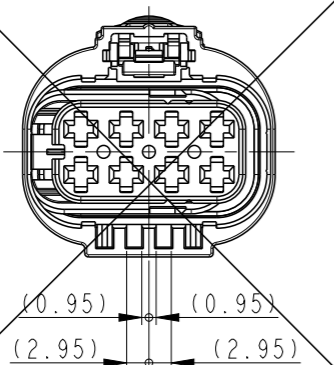
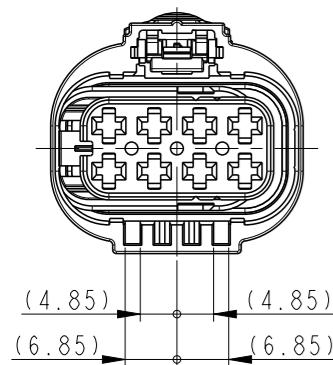
CODING "A"

CODING "B"

CODING "C"

CODING "D"

CODING "Z"



① CIRCUIT ARRANGEMENT FOR PARTICULAR TYPE

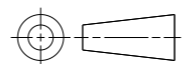
0-2109441-3	0-2109441-4	A3 0-2109441-5	A3 0-2109441-6
2-2109441-4	2-2109441-5		
3-2109441-1	3-2109441-9	9-2109441-1	9-2109441-2

① <CIRCUIT ARRANGEMENT INDICATES UNAVAILABLE (BLOCKED) CIRCUIT>

CAVITY	CODE	P/N	1	2	3	4	5	6	7	8	REV
			CIRCUIT ARRANGEMENT INDICATES UNAVAILABLE (BLOCKED) CIRCUIT								
ALL CLOSED	CODING "Z"	9-2109441-1	X	X	X	X	X	X	X	X	A
	CODING "A"	9-2109441-2	X	X	X	X	X	X	X	X	A
4P OPENED	CODING "D"	3-2109441-9	○	X	X	○	○	○	X	X	A
ALL OPENED		3-2109441-8	○	○	○	○	○	○	○	○	A
6P OPENED		3-2109441-1	X	X	○	○	○	○	○	○	A
6P OPENED	CODING "C"	2-2109441-5	○	○	○	○	○	○	X	X	A
4P OPENED		2-2109441-4	○	X	X	○	○	X	X	○	A
ALL OPENED		2-2109441-3	○	○	○	○	○	○	○	○	A
ALL OPENED	CODING "B"	1-2109441-1	○	○	○	○	○	○	○	○	A
A3 2P OPENED	CODING "A"	0-2109441-6	X	X	X	X	○	○	X	X	A
A3 7P OPENED		0-2109441-5	X	○	○	○	○	○	○	○	A
4P OPENED		0-2109441-4	X	X	○	○	○	○	X	X	A
2P OPENED		0-2109441-3	X	X	X	○	X	X	○	X	A
ALL OPENED		0-2109441-2	○	○	○	○	○	○	○	○	A

THIS DRAWING IS A CONTROLLED DOCUMENT.

DIMENSIONS: mm



MATERIAL SEE TABLE SHEET 1

TOLERANCES UNLESS OTHERWISE SPECIFIED:
0 PLC ±
1 PLC ±
2 PLC ±
3 PLC ±
4 PLC ±
ANGLES ±
FINISH -

DWN
CHK
APV SEE SHEET 2 OF 2
PRODUCT SPEC
APPLICATION SPEC
WEIGHT
CUSTOMER DRAWING



NAME MCP 2.8mm 8P PLUG ASS'Y

SIZE A3 CAGE CODE - DRAWING NO C-2109441 RESTRICTED TO -

SCALE 1:1 SHEET 2 OF 2 REV A4