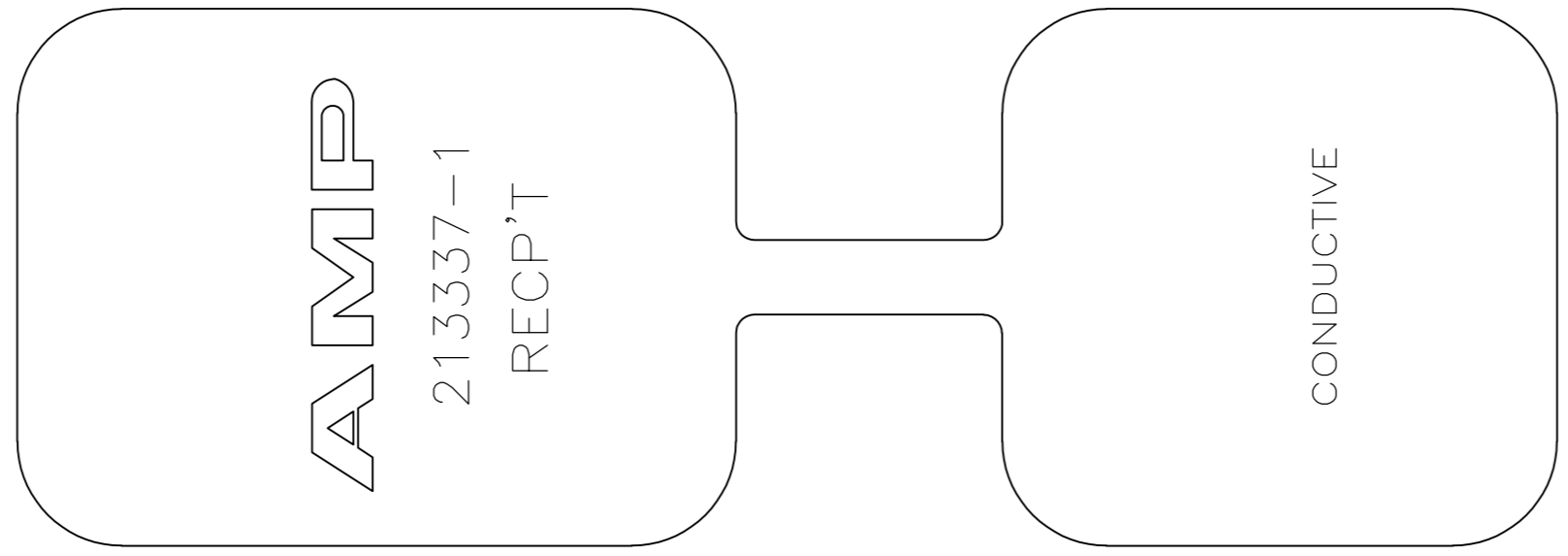
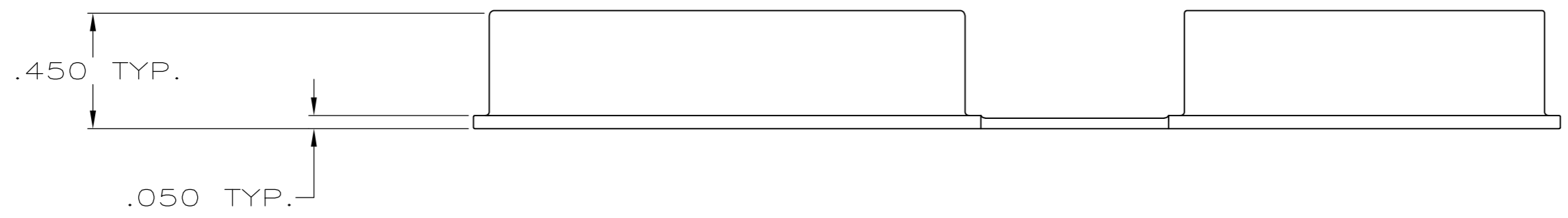
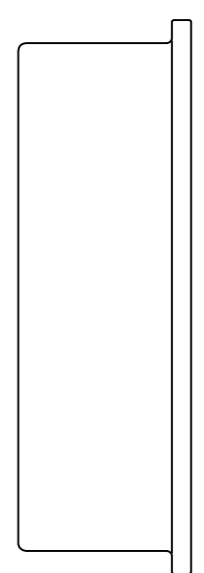
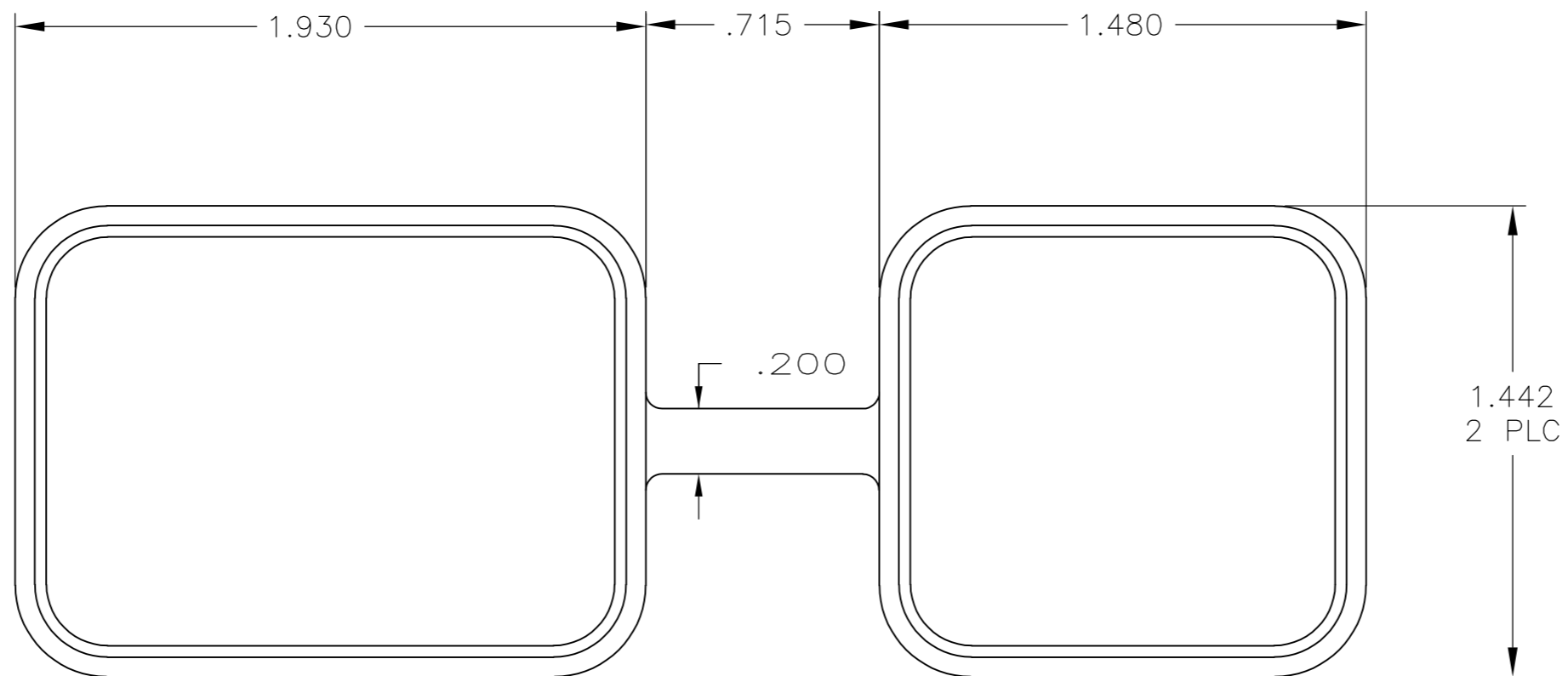


THIS DRAWING IS UNPUBLISHED. RELEASED FOR PUBLICATION
 © COPYRIGHT - By - ALL RIGHTS RESERVED.

LOC		DIST		REVISIONS			
P	LTR	DESCRIPTION	DATE	DWN	APVD		
-	-	A	RELEASED	1-15-14	CT	WB	



213337-1
PART NUMBER

1. MATERIAL: POLYPROPYLENE, CONDUCTIVE, COLOR: BLACK.

THIS DRAWING IS A CONTROLLED DOCUMENT.		DWN	C.C.THOMAS	1-15-14		TE Connectivity																	
DIMENSIONS: INCHES		CHK	W.BERNHART	1-15-14		NAME																	
TOLERANCES UNLESS OTHERWISE SPECIFIED:		APVD	W.BERNHART	1-15-14		DUST COVER, RECEPTACLE, ARINC 600																	
<table border="1"> <tr><td>0 PLC</td><td>±</td><td>-</td></tr> <tr><td>1 PLC</td><td>±</td><td>-</td></tr> <tr><td>2 PLC</td><td>±</td><td>-</td></tr> <tr><td>3 PLC</td><td>±</td><td>.005</td></tr> <tr><td>4 PLC</td><td>±</td><td>-</td></tr> <tr><td>ANGLES</td><td>±</td><td>-</td></tr> </table>		0 PLC	±	-		1 PLC	±	-	2 PLC	±	-	3 PLC	±	.005	4 PLC	±	-	ANGLES	±	-	PRODUCT SPEC	-	
0 PLC	±	-																					
1 PLC	±	-																					
2 PLC	±	-																					
3 PLC	±	.005																					
4 PLC	±	-																					
ANGLES	±	-																					
MATERIAL	-	APPLICATION SPEC	-			SIZE	A2	CAGE CODE	00779	DRAWING NO	C=213337	RESTRICTED TO	-										
FINISH		WEIGHT	-		SCALE	2:1	SHEET	1 of 1	REV	A													
CUSTOMER DRAWING																							