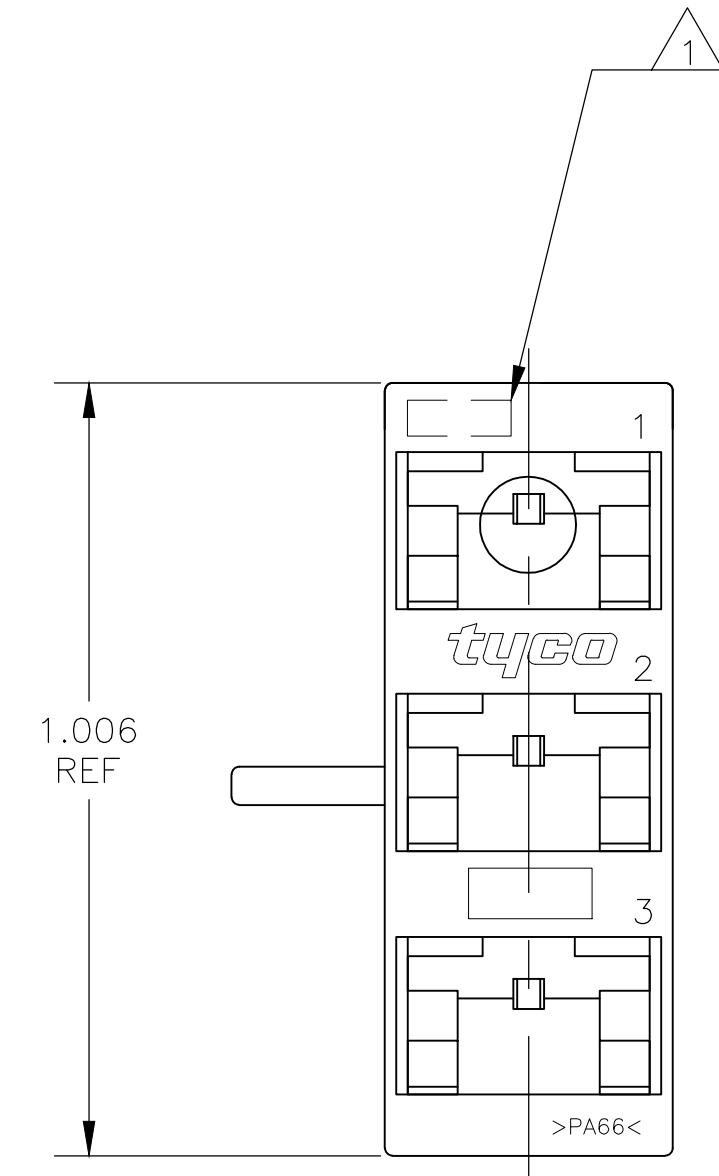
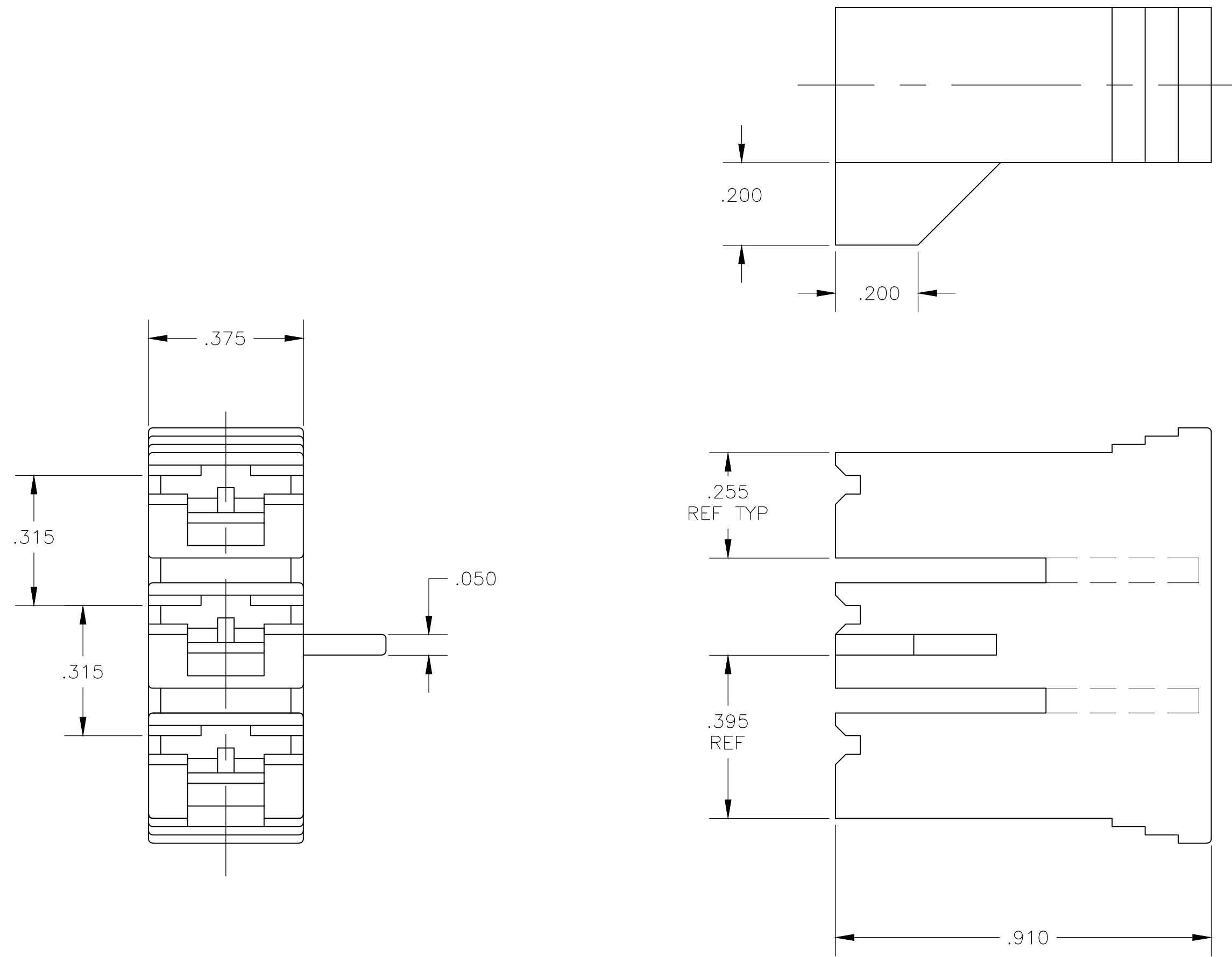


THIS DRAWING IS UNPUBLISHED. RELEASED FOR PUBLICATION
 © COPYRIGHT - TE Connectivity Ltd. ALL RIGHTS RESERVED.

| REVISIONS | | | | | |
|-----------|-----|---------------------------|-----------|-----|------|
| P | LTR | DESCRIPTION | DATE | DWN | APVD |
| B | | REVISED PER ECR-19-012753 | 04SEP2019 | BH | E.W |

1 COUNTRY OF ORIGIN.



OBSOLETE 521825-1
 PART NO

| | | | | | |
|--|-------------------|-------------------------------|---|--------------------|----------------------|
| THIS DRAWING IS A CONTROLLED DOCUMENT. | | DWN jr_ruth 07JUN05 | | | |
| DIMENSIONS: INCHES | | CHK P_DESANTIS 07JUN05 | | | |
| TOLERANCES UNLESS OTHERWISE SPECIFIED: | | APVD P_DESANTIS 07JUN05 | NAME HOUSING, RECEPTACLE, FASTON, .250 SERIES, 3 POSITION | | |
| 0 PLC ± - | | PRODUCT SPEC | SIZE A2 | CAGE CODE 00779 | DRAWING NO 521825 |
| 1 PLC ± - | | APPLICATION SPEC | RESTRICTED TO | | |
| 2 PLC ± - | | | - | | |
| 3 PLC ± .010 | | WEIGHT - | - | | |
| 4 PLC ± - | | CUSTOMER DRAWING | SCALE 1:1 | SHEET 1 of 1 | REV B |
| ANGLES ± 5° | | | | | |
| MATERIAL 6/6 NYLON, V2 | FINISH NATURAL | | | | |