

4

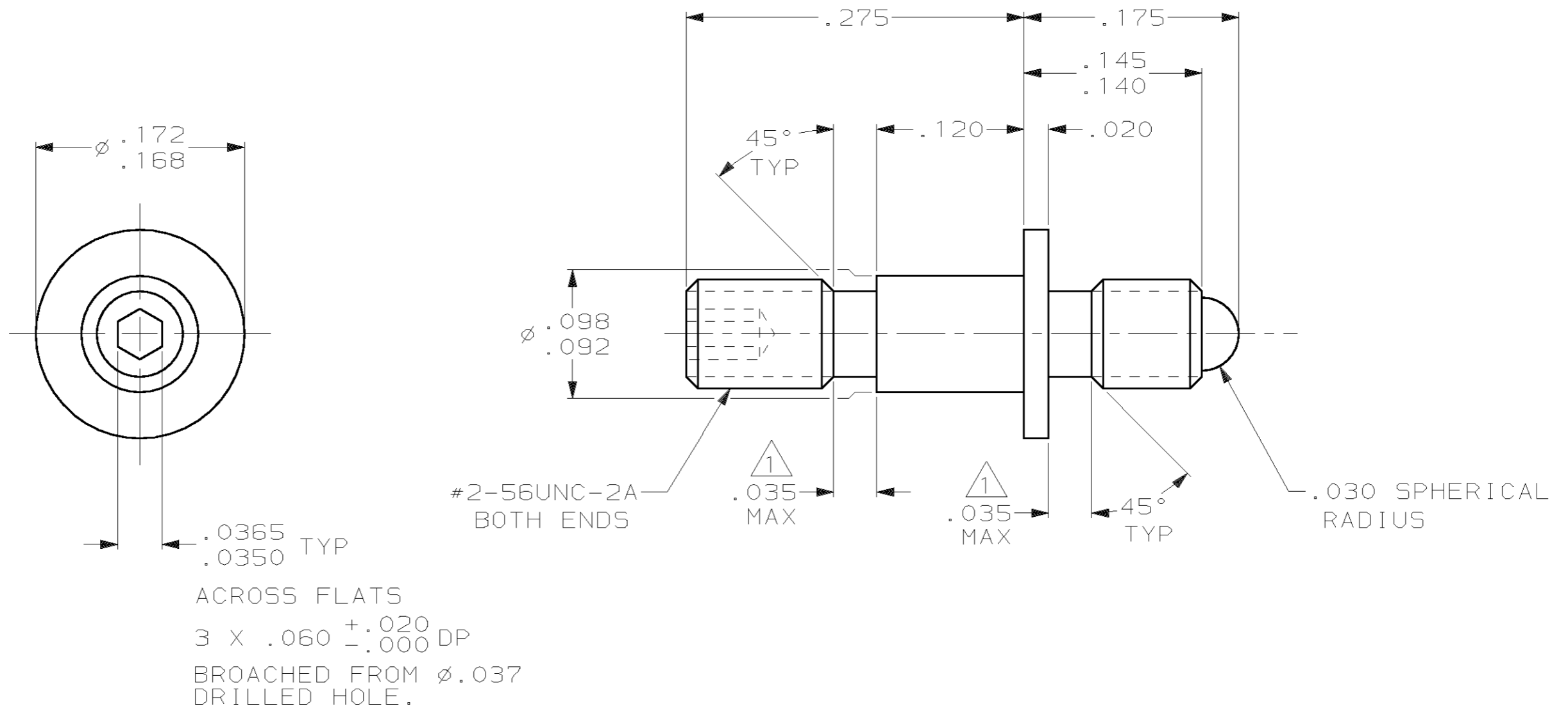
3

2

1

THIS DRAWING IS UNPUBLISHED. RELEASED FOR PUBLICATION ,19 .  
© COPYRIGHT 19 BY AMP INCORPORATED. ALL RIGHTS RESERVED.

LOC	DIST	REVISIONS			
P	LTR	DESCRIPTION	DATE	DWN	APVD
DF	FO	B	REV & REDRAWN; 0600-8364-99	3-00	CT DM



1 NO THREADS IN THIS AREA.

534683-2  
PART NO.

THIS DRAWING IS A CONTROLLED DOCUMENT.		DWN C.C. THOMAS 3-2-00	AMP Incorporated Harrisburg, PA 17105-3608	
DIMENSIONS: INCHES		CHK D. MILLER 3-9-00		
TOLERANCES UNLESS OTHERWISE SPECIFIED:		APVD D. MILLER 3-9-00	NAME JACKSCREW, MALE, MINI-BOX	
0 PLC $\pm$ - 1 PLC $\pm$ - 2 PLC $\pm$ - 3 PLC $\pm .008$ 4 PLC $\pm$ - ANGLES $\pm$ -		PRODUCT SPEC -	RESTRICTED TO -	
MATERIAL STAINLESS STEEL		FINISH PASSIVATED	APPLICATION SPEC -	WEIGHT -
		CUSTOMER DRAWING	SIZE A3	CAGE CODE 00779
			DRAWING NO C-534683	RESTRICTED TO -
			SCALE 10:1	SHEET 1 OF 1
				REV B