

The 5708A model is an all in one unit that can be used as a timer, counter, frequency meter, and a tachometer. This unit contains 23 functions (15 timer, 6 counter, frequency meter, & tachometer), which are selectable through the set up menu. Engineered with a unique battery cover design for easy battery replacement, this unit needs no external power source.

- Functions as a Timer, Counter, Frequency Meter or Tachometer
- 8-digit High Resolution LCDI
- Front IP66 Water Protection
- 15 Selectable Display Options
- Battery Operated



### Multi-Function Timer-Counter

#### TIMER

Display Unit day/hour/min/sec  
15 Display functions(Selectable)

#### COUNTER

Frequency Response is programmable for elimination of outside Switch key-bounce, and edge trigger.

- <50 cps (rising and falling edge)
- <100 cps (rising and falling edge)
- <600 cps (rising and falling edge)

#### FREQUENCY METER

Response Frequency 2.5 Hz - 1300 Hz  
4-digit display 2.500 - 1300 Hz

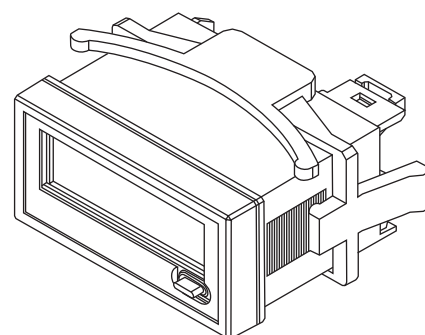
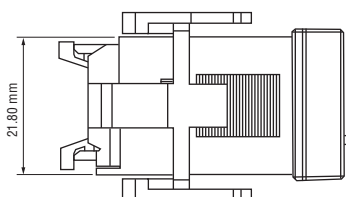
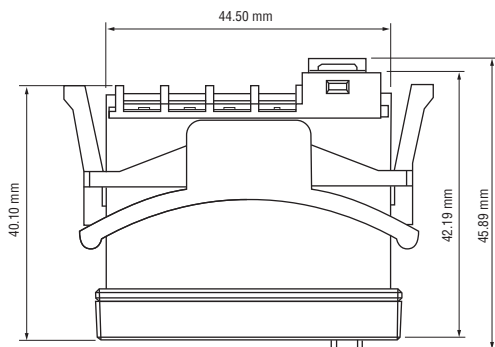
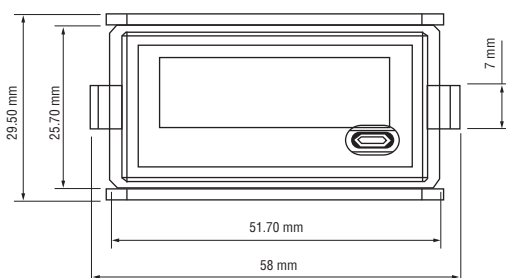
#### TACHOMETER

RPM range 150 RPM - 78,000 RPM  
Max. 5-Digit Display 150-78,000

#### SPECIFICATIONS

<b>RESET</b>	Front Panel / Remote
<b>DISPLAY</b>	LCD (8mm high)
<b>NUMBER OF DIGITS</b>	8
<b>MAX. 5-DIGIT DISPLAY</b>	150 - 78,000
<b>COUNT INPUT</b>	Switch Closure Dry Contact
<b>OPERATING TEMPERATURE</b>	14° to 131°F (-10° to 55°C)
<b>OPERATING POWER</b>	LR44 Battery
<b>MOUNTING</b>	1/32 Din
<b>FRONT WATER PROTECTION</b>	IP66
<b>SCREW TYPE</b>	M3
<b>WEIGHT</b>	1.164 oz.
<b>VIBRATION</b>	IEC 60068-2-6
<b>IEC 60068-4-2</b>	4KV Air/2KV Contact
<b>IEC 60068-4-3</b>	10V/m (80MHz to 1GMHz)
<b>IEC 60068-4-4</b>	1KV Input

#### DIMENSIONS (MILLIMETERS)



#### ORDERING INFORMATION

MULTIFUNCTIONING  
TIMER-COUNTER 5708A