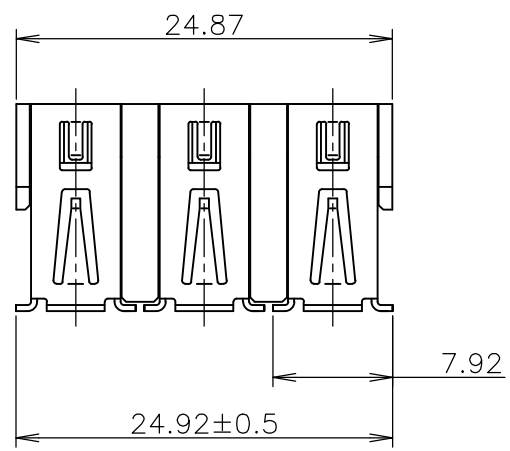


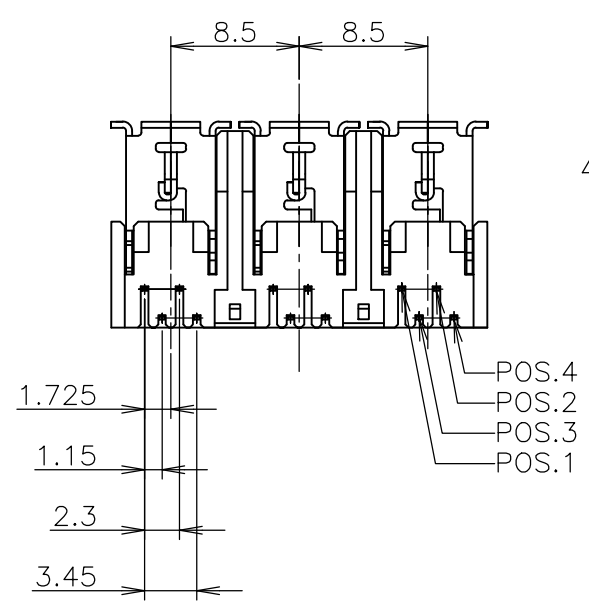
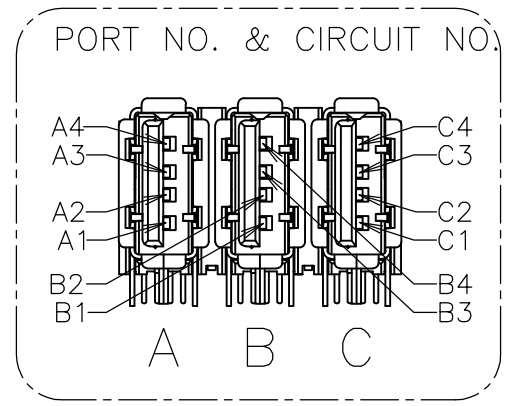
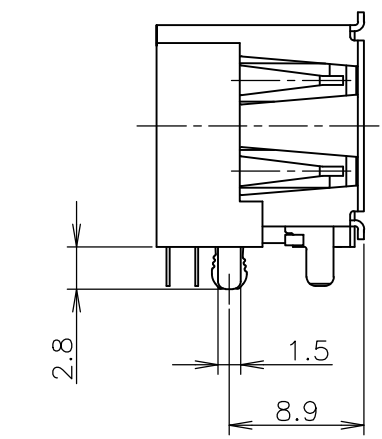
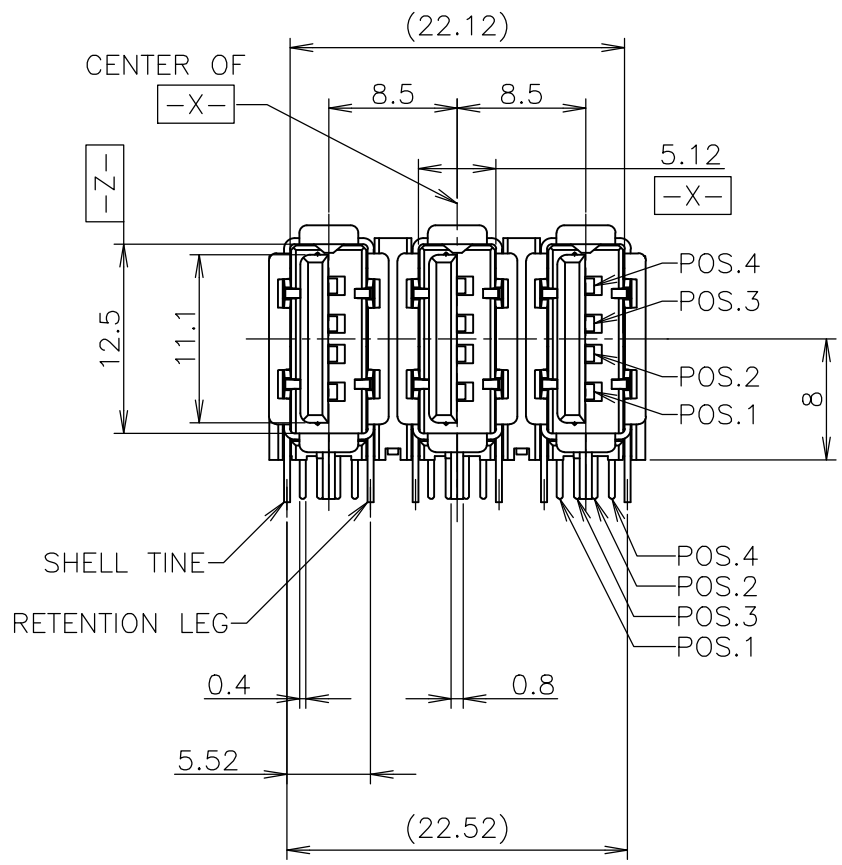
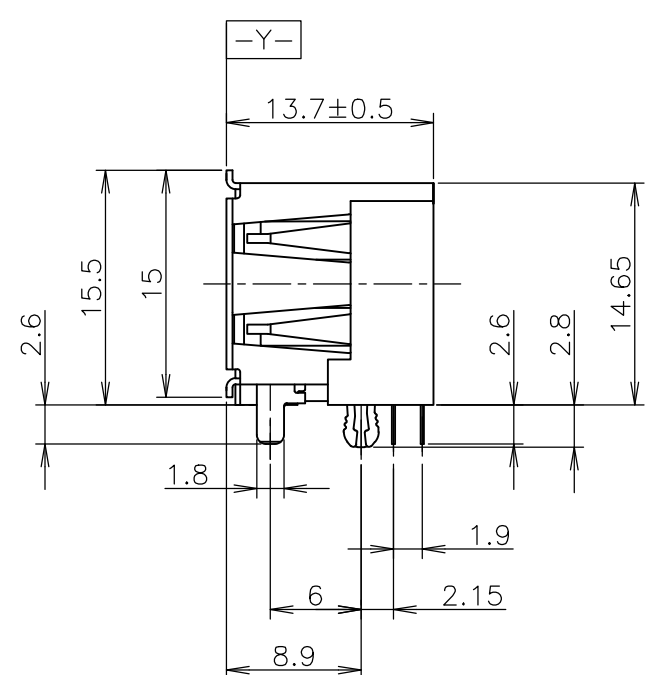
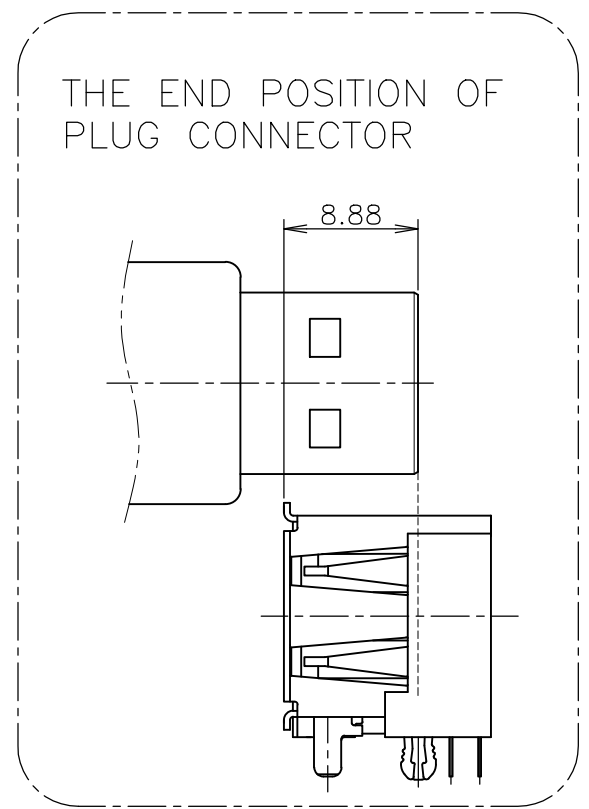
THIS DRAWING IS UNPUBLISHED. RELEASED FOR PUBLICATION DEC. 2001.  
 © COPYRIGHT 2001 By - ALL RIGHTS RESERVED.

LOC	DIST	REVISIONS					
J	/	P	LTR	DESCRIPTION	DATE	DWN	APVD
			E3	REVISED PER ECR-15-016523	16NOV15	T.Z	H.W

4-1565589-3  
 1565589-2  
 ; AS SHOWN



- ④ MATERIAL  
 HOUSING: THERMO-PLASTICS UL94V-0 BLACK  
 CONTACT: COPPER ALLOY  
 FRONT SHELL: COPPER ALLOY
- ② FINISH  
 CONTACT: NICKEL UNDER PLATE ALL OVER.  
 CONTACT AREA: GOLD PLATE  
 TINE AREA: TIN-LEAD PLATING
- ③ FINISH  
 CONTACT: NICKEL UNDER PLATE ALL OVER.  
 CONTACT AREA: GOLD PLATE  
 TINE AREA: TIN PLATING  
 FRONT SHELL: TIN PLATE



④	④	OBSOLETE	SEE SHEET 5, 6	③	④	6-1565589-2
④	④	OBSOLETE	SEE SHEET 3, 4	③	②	3-1565589-3
④	④	OBSOLETE	SEE SHEET 1, 2	③	④	6-1565589-1
	④			③	②	4-1565589-3
				③	②	1565589-2
			REMARK		FINISH	PART NO.

④ OBSOLETE PARTS: OBSOLETE CIS STREAMLINING PER D.RENAUD/D.SINISI

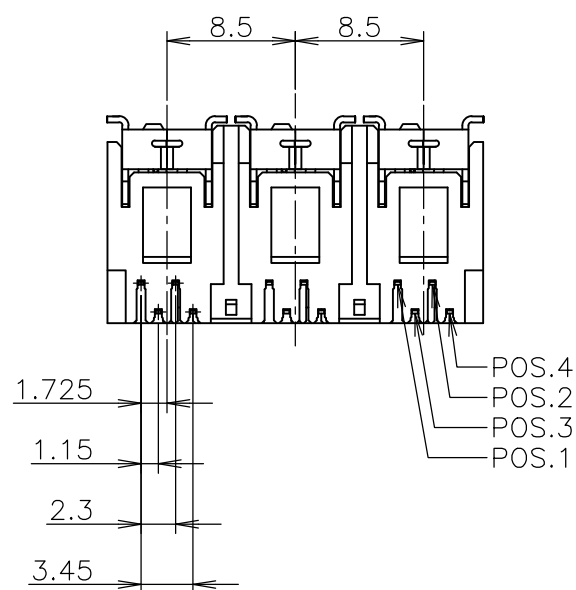
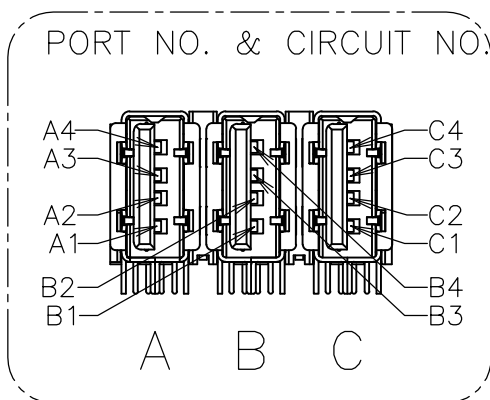
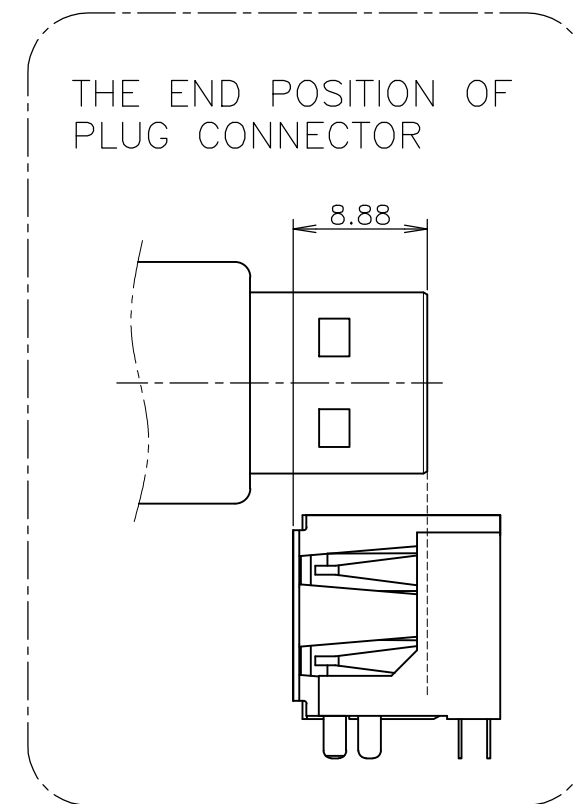
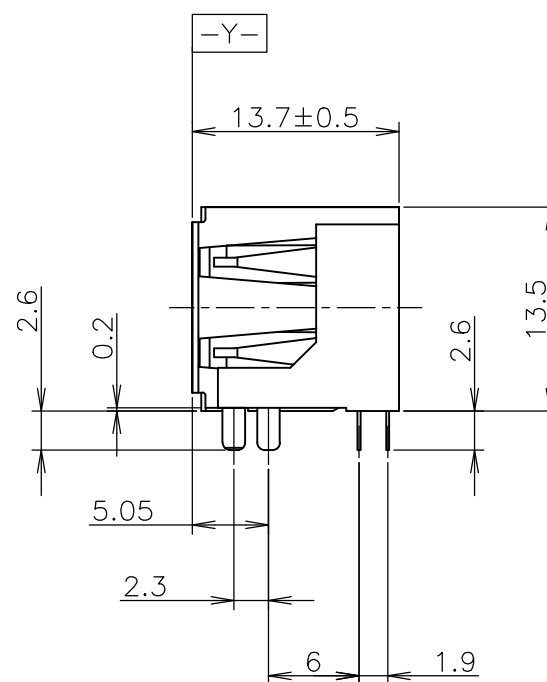
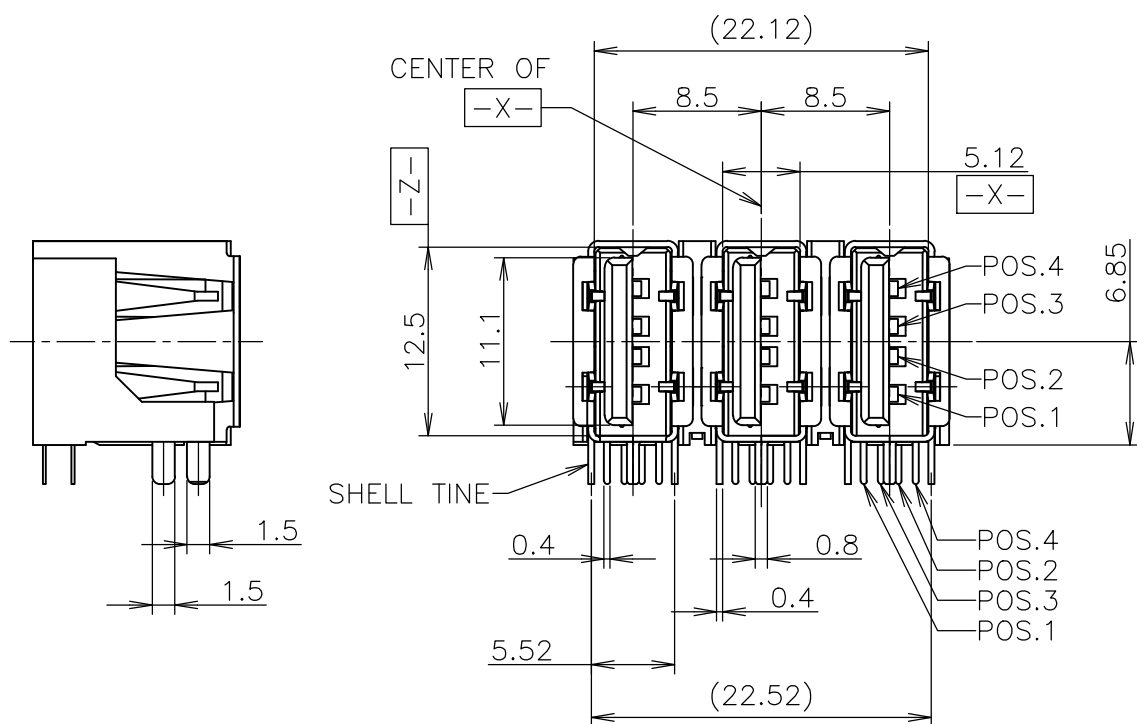
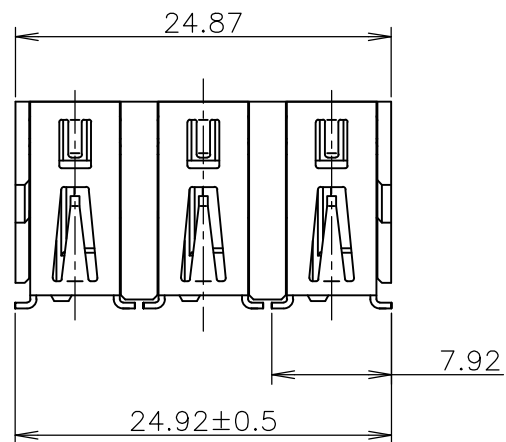
THIS DRAWING IS A CONTROLLED DOCUMENT.		DWN S.TODA 12DEC2001	<b>STE</b> TE Connectivity	
DIMENSIONS: 单位: 毫米 mm		CHK T.Z 12DEC2001		
TOLERANCES UNLESS OTHERWISE SPECIFIED: 一般公差		APVD H.KODAMA 12DEC2001	NAME 名称	
0 PLC ± 0.3		PRODUCT SPEC 製品規格		USB CONNECTOR RECEPTACLE TYPE
1 PLC ± 0.3		APPLICATION SPEC 取付適用規格		
2 PLC ± 0.3		108-5804		SIZE A3
3 PLC ± 0.3		WEIGHT		CAGE CODE 00779
4 PLC ± 0.3		CUSTOMER DRAWING		DRAWING NO 番号 C-1565589
ANGLES ± 3'		SCALE 尺度 2:1		SHEET 1 OF 6
FINISH 仕上		RESTRICTED TO		REV E3
①		SEE TABLE		



THIS DRAWING IS UNPUBLISHED. RELEASED FOR PUBLICATION DEC. 2001.  
 © COPYRIGHT 2001 By - ALL RIGHTS RESERVED.

LOC		DIST		REVISIONS			DATE	DWN	APVD
P	LTR	DESCRIPTION							
J	/	-	-	SEE SHEET 1			-	-	-

ⓔ3  
 4-6-1565589-1  
 ; AS SHOWN



THIS DRAWING IS A CONTROLLED DOCUMENT.		DWN		TE Connectivity	
DIMENSIONS: 單位: 耗 mm		CHK			
TOLERANCES UNLESS OTHERWISE SPECIFIED: 一般公差		APVD		NAME 名称	
0 PLC ± 0.3		PRODUCT SPEC 製品規格		USB CONNECTOR RECEPTACLE TYPE	
1 PLC ± 0.3		APPLICATION SPEC 取付適用規格		SIZE	
2 PLC ± 0.3		WEIGHT		CAGE CODE	
3 PLC ± 0.3		CUSTOMER DRAWING		DRAWING NO 番号	
4 PLC ± 0.3		SCALE 尺度 5:1		A3 00779 C-1565589	
ANGLES ± 3°		SHEET 3 of 6		RESTRICTED TO	
FINISH 仕上		REV E3			





THIS DRAWING IS UNPUBLISHED.

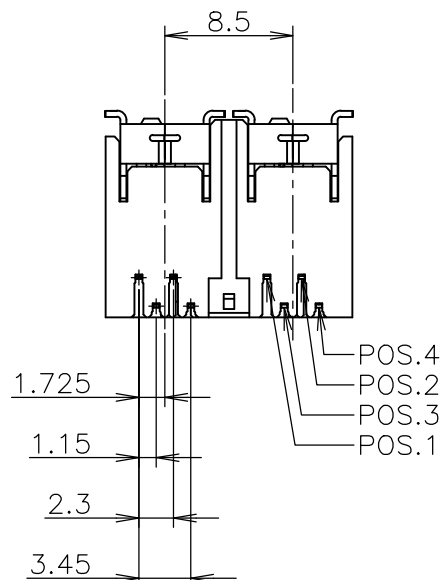
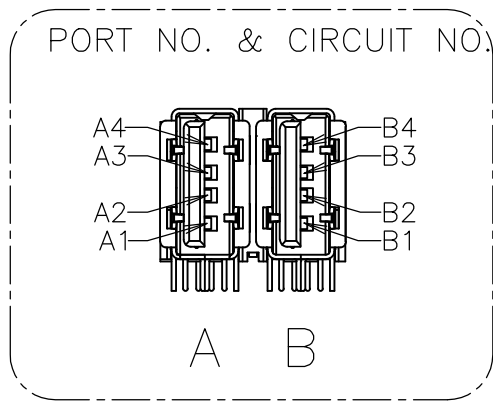
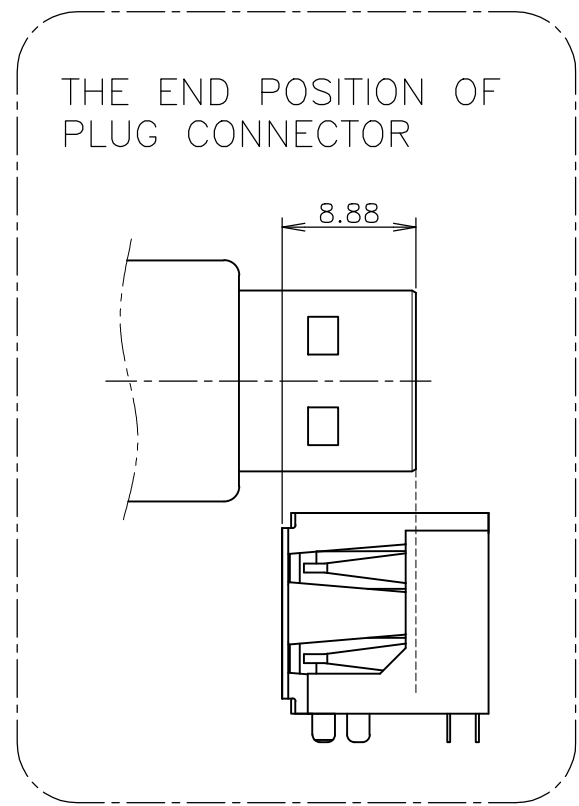
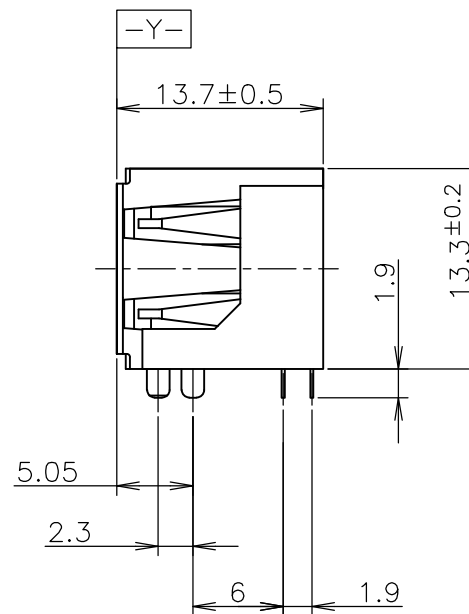
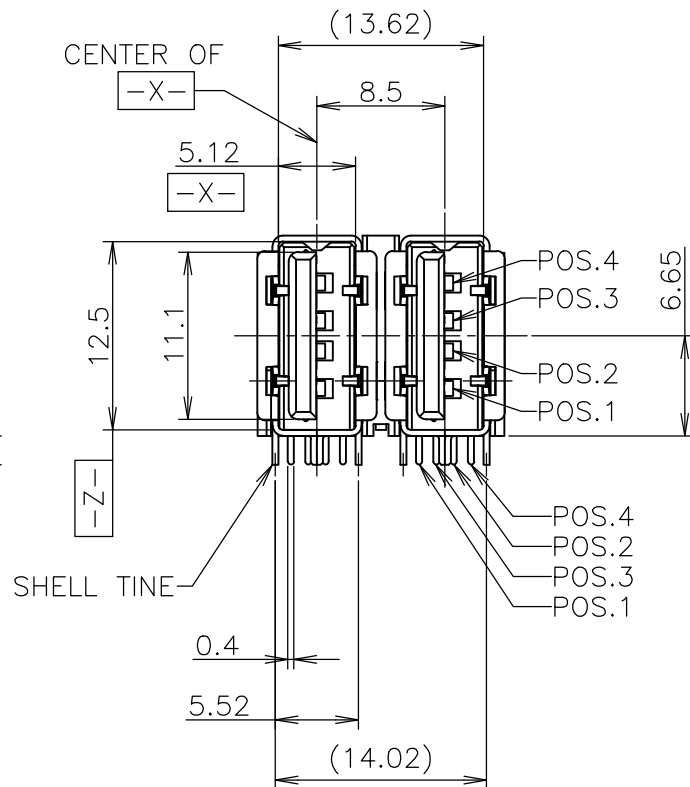
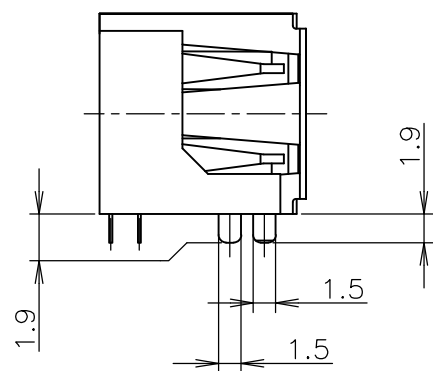
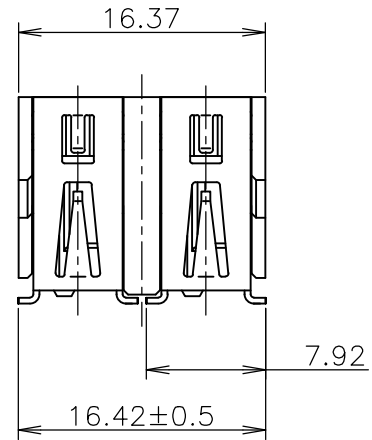
RELEASED FOR PUBLICATION DEC ,2001.


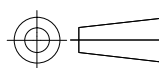
© COPYRIGHT 2001 By -

ALL RIGHTS RESERVED.

LOC	DIST	REVISIONS					
J	/	P	LTR	DESCRIPTION	DATE	DWN	APVD
		-		SEE SHEET 1	-	-	-

 6-1565589-2  
 3-1565589-3  
 ; AS SHOWN



THIS DRAWING IS A CONTROLLED DOCUMENT.		DWN		 TE Connectivity	
DIMENSIONS: 单位: 耗 mm		CHK			
TOLERANCES UNLESS OTHERWISE SPECIFIED: 一般公差		APVD		NAME 名称	
0 PLC ± 0.3 1 PLC ± 0.3 2 PLC ± 0.3 3 PLC ± 0.3 4 PLC ± 0.3 ANGLES ± 3'		PRODUCT SPEC 製品規格		USB CONNECTOR RECEPTACLE TYPE	
MATERIAL 材料		FINISH 仕上		APPLICATION SPEC 取付適用規格	
		WEIGHT		SIZE A3	CAGE CODE 00779
		CUSTOMER DRAWING		DRAWING NO 番号 C-1565589	RESTRICTED TO
		SCALE 尺度 5:1		SHEET 5 of 6	REV E3

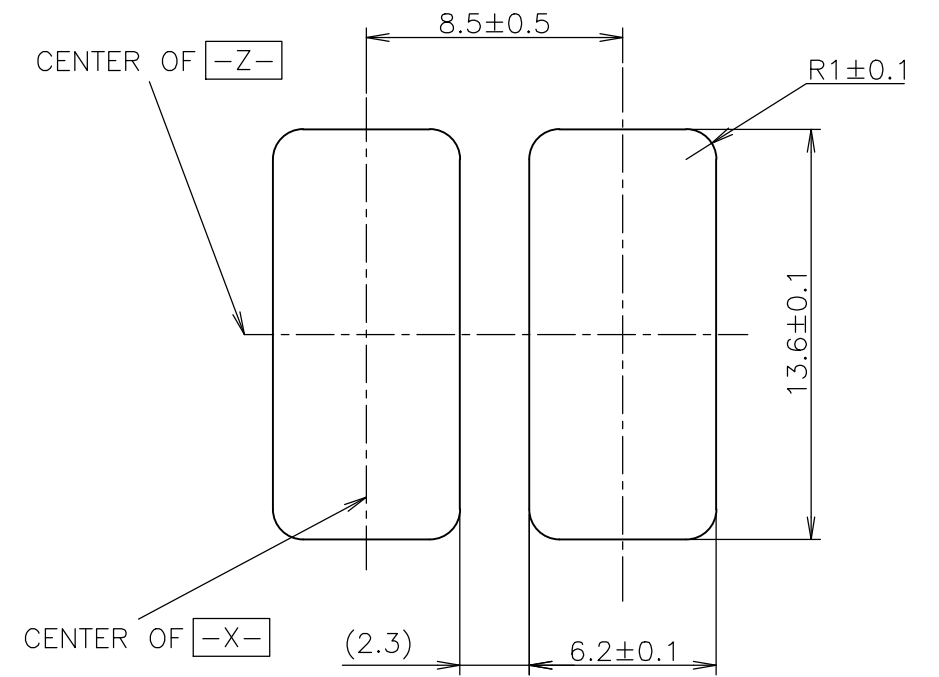
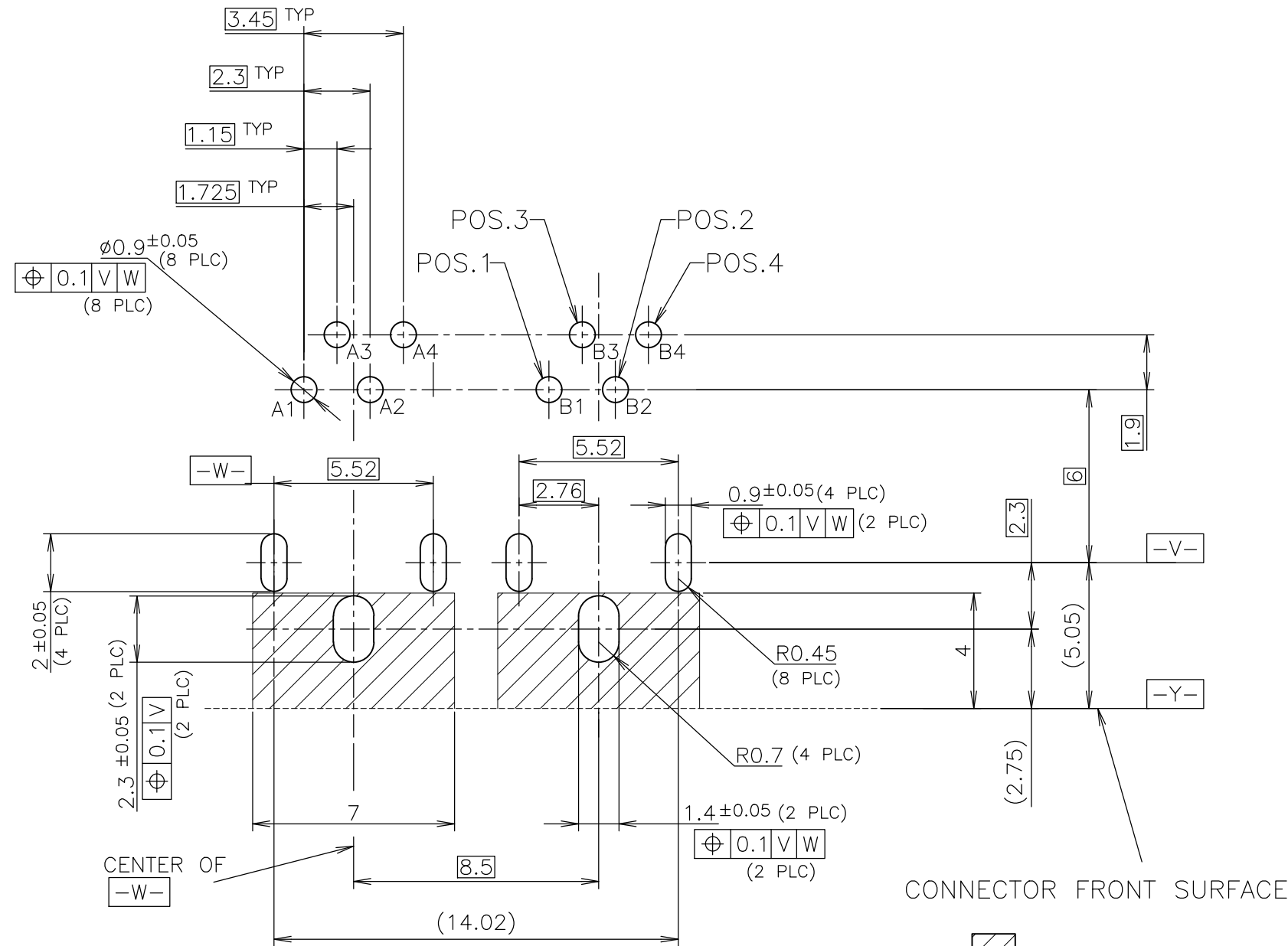
THIS DRAWING IS UNPUBLISHED.

RELEASED FOR PUBLICATION DEC ,2001.

© COPYRIGHT 2001 By -

ALL RIGHTS RESERVED.

LOC	DIST	REVISIONS		
		P	LTR	DESCRIPTION
J	/	-	-	SEE SHEET 1
				DATE
				DWN
				APVD



\*THIS DIMENSIONS ARE NOT CONSIDERATION PANEL TOLERANCE AND PANEL ASSEMBLY TOLERANCE.

### RECOMMENDED PANEL DIMENSION

PATTERN, LAND, VIA HOLE, MOUNT, PROHIBITION AREA. ONLY THE LAND FOR SOLDERING OF FRONT SHELL IS OK.

### RECOMMENDED LAYOUT OF P.C.B (CONNECTOR MOUNTING SIDE)

RECOMMENDED THICKNESS: 1.0~1.2mm

THIS DRAWING IS A CONTROLLED DOCUMENT.		DWN		TE Connectivity	
DIMENSIONS: 单位: 耗 mm		CHK			
TOLERANCES UNLESS OTHERWISE SPECIFIED: 一般公差		APVD		NAME 名称	
0 PLC ± 0.3		PRODUCT SPEC 製品規格		USB CONNECTOR RECEPTACLE TYPE	
1 PLC ± 0.3		APPLICATION SPEC 取付適用規格		SIZE	
2 PLC ± 0.3		WEIGHT		CAGE CODE	
3 PLC ± 0.3		CUSTOMER DRAWING		DRAWING NO 番号	
4 PLC ± 0.3		SCALE 尺度 5:1		A3 00779 C-1565589	
ANGLES ± 3'		SHEET 6 OF 6		RESTRICTED TO	
FINISH 仕上		REV E3			