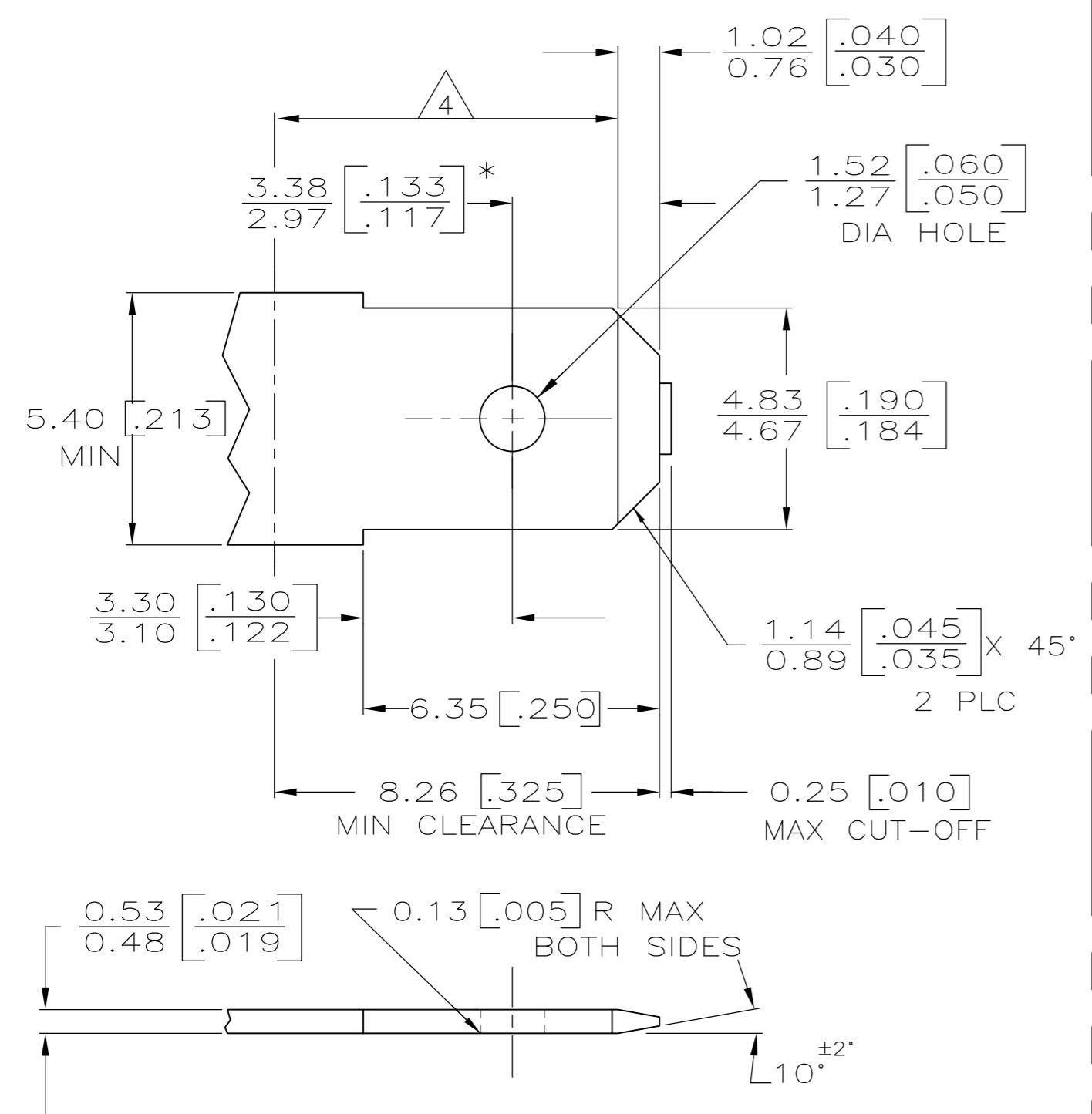


THIS DRAWING IS UNPUBLISHED. RELEASED FOR PUBLICATION  
 © COPYRIGHT - By - ALL RIGHTS RESERVED.

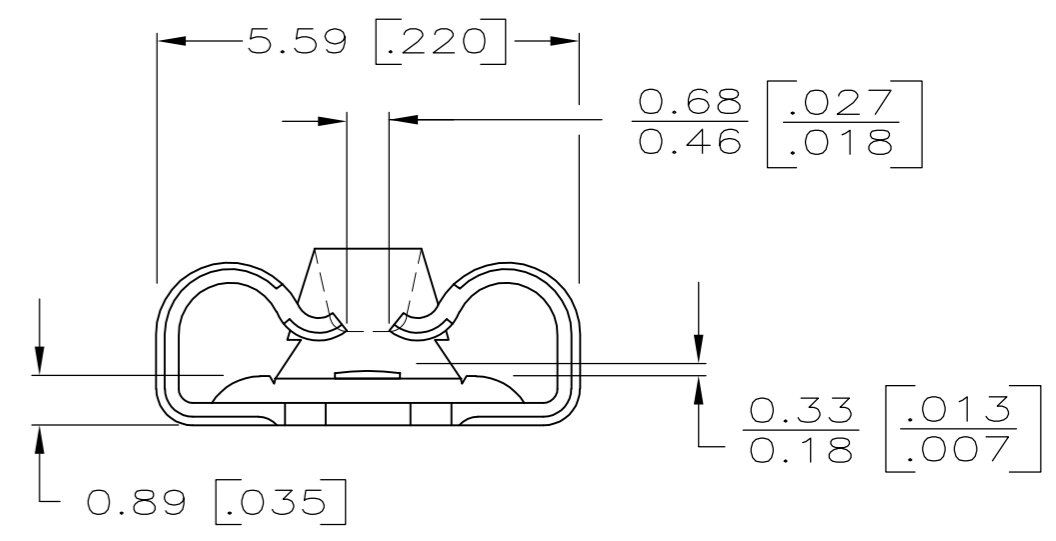
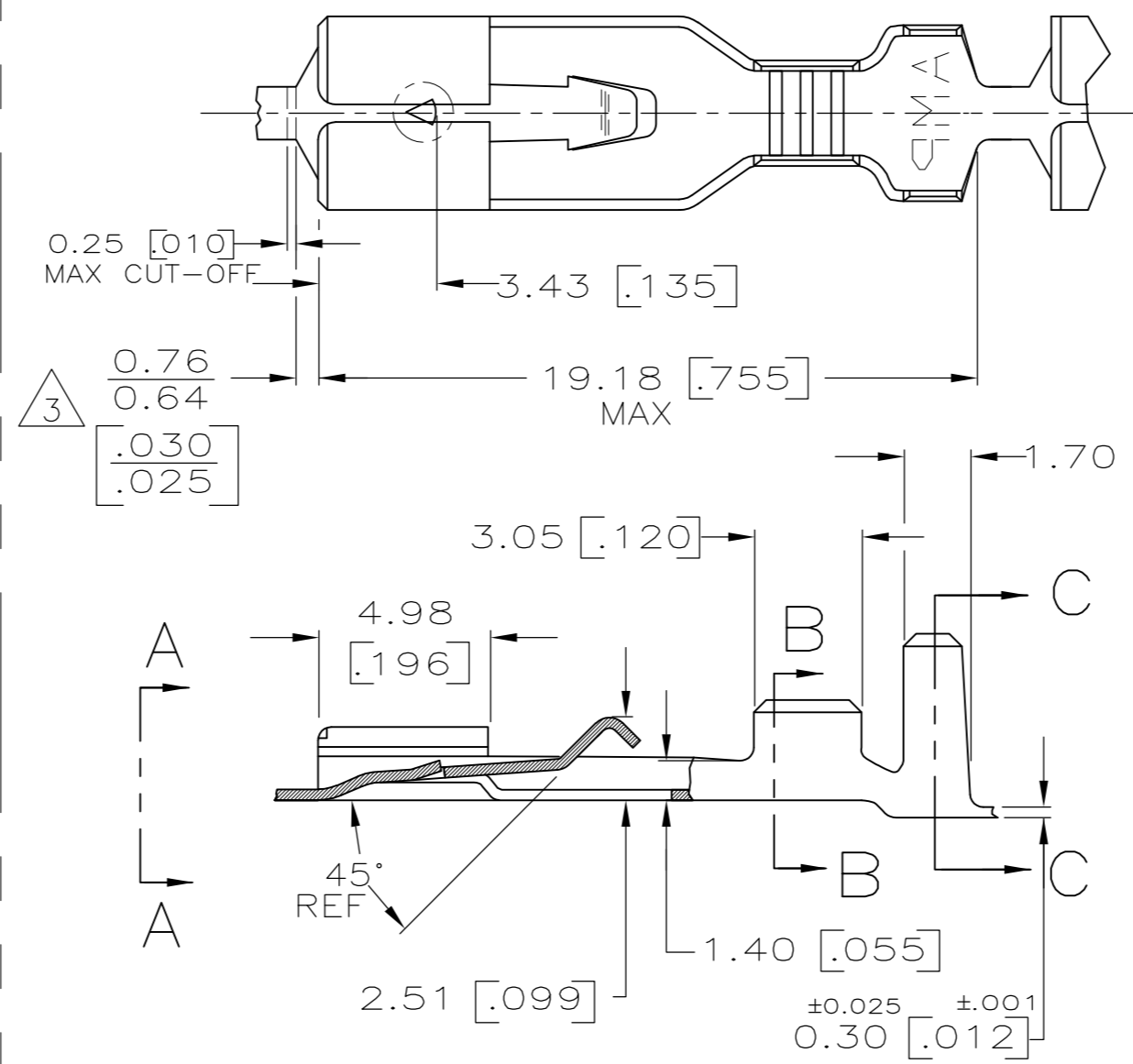
| LOC |     | DIST        |                           | REVISIONS |     |      |  |
|-----|-----|-------------|---------------------------|-----------|-----|------|--|
| P   | LTR | DESCRIPTION |                           | DATE      | DWN | APVD |  |
| AF  | 50  | N           | REVISED PER ECR-13-011489 | 02DEC2013 | KH  | PD   |  |

SUGGESTED MATING TAB

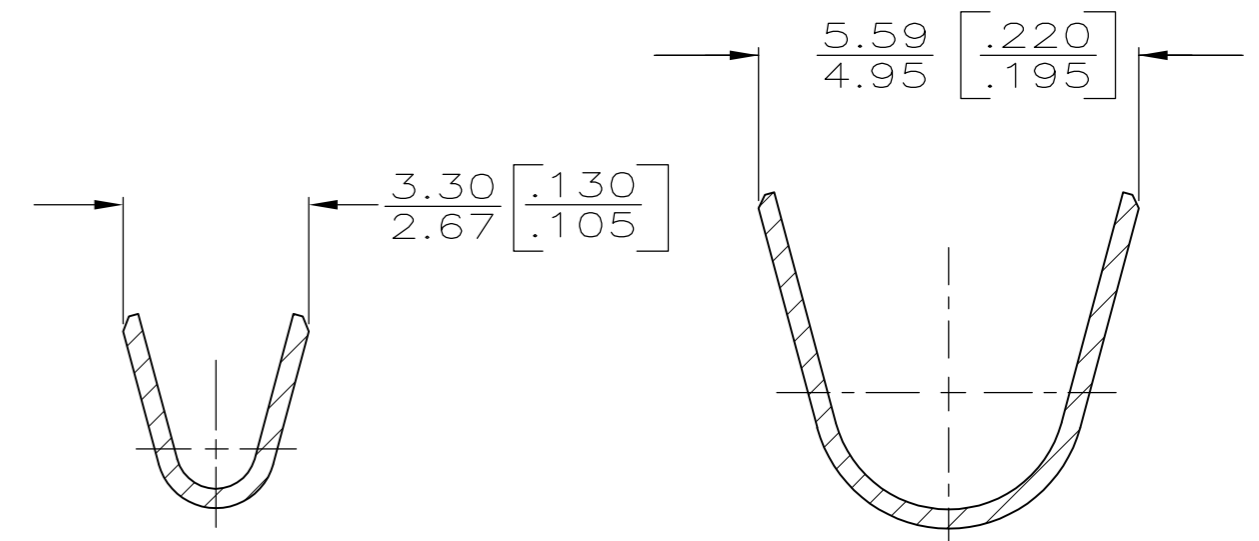


- MATL: #2 HARD BRASS OR NICKEL PLATE STEEL.
  - NO BURRS PERMISSIBLE AT HOLE.
  - TIN PLATING IS REQUIRED ON BRASS WHEN TERMINAL TEMPERATURE IS OVER 225° F.
  - MUST BE FLAT WITHIN 0.076[.003] OVER THIS LENGTH.
  - HOLE MUST BE SYMMETRICAL ABOUT TAB & WITHIN 0.076[.003].
- \* TO BE USED ONLY WHEN SHOULDER IS ELIMINATED.

- DIMENSIONS IN BRACKETS ARE IN INCHES.
- CONTINUOUS STRIP ON REELS.
- THE  $\frac{0.76}{0.64}$  DIMENSION MUST BE MAINTAINED BY THE APPLICATOR CUT-OFF TO ENSURE THE PROPER LOCKING FUNCTION OF THE RECEPTACLE.



VIEW A-A



SECTION B-B

SECTION C-C

|  |  |                                  |  |         |  |
|--|--|----------------------------------|--|---------|--|
| 2.29 - 3.30 [.090 - .130]              |  | 0.5 - 1.4mm <sup>2</sup> [20-16] |  | 63232-1 |  |
| INSULATION RANGE                       |  | WIRE SIZE                        |  | PART NO |  |
| THIS DRAWING IS A CONTROLLED DOCUMENT. |  |                                  | DWN 2/28/87                            |         |  |
| DIMENSIONS: mm [INCHES]                |  |                                  | JR RUTH 3/9/87                         |         |  |
| TOLERANCES UNLESS OTHERWISE SPECIFIED: |  |                                  | CHK G YETTER                           |         |  |
| 0 PLC ± -                              |  |                                  | APVD J GILLESPIE 3/9/87                |         |  |
| 1 PLC ± -                              |  |                                  | NAME                                   |         |  |
| 2 PLC ± -                              |  |                                  | RECEPTACLE, POSITIVE LOCK, .187 SERIES |         |  |
| 3 PLC ± 0.25 [.010]                    |  |                                  | SIZE                                   |         |  |
| 4 PLC ± -                              |  |                                  | CAGE CODE                              |         |  |
| ANGLES ± -                             |  |                                  | DRAWING NO                             |         |  |
| FINISH                                 |  |                                  | RESTRICTED TO                          |         |  |
| MATERIAL BRASS                         |  |                                  | WEIGHT -                               |         |  |
| PRE-TIN                                |  |                                  | A2 00779 C=63232                       |         |  |
| CUSTOMER DRAWING                       |  |                                  | SCALE NTS SHEET 1 OF 1 REV N           |         |  |