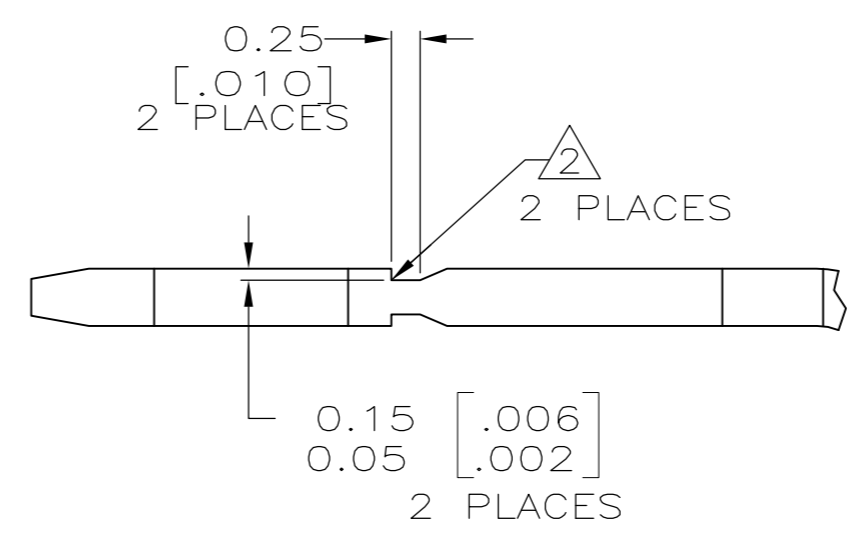
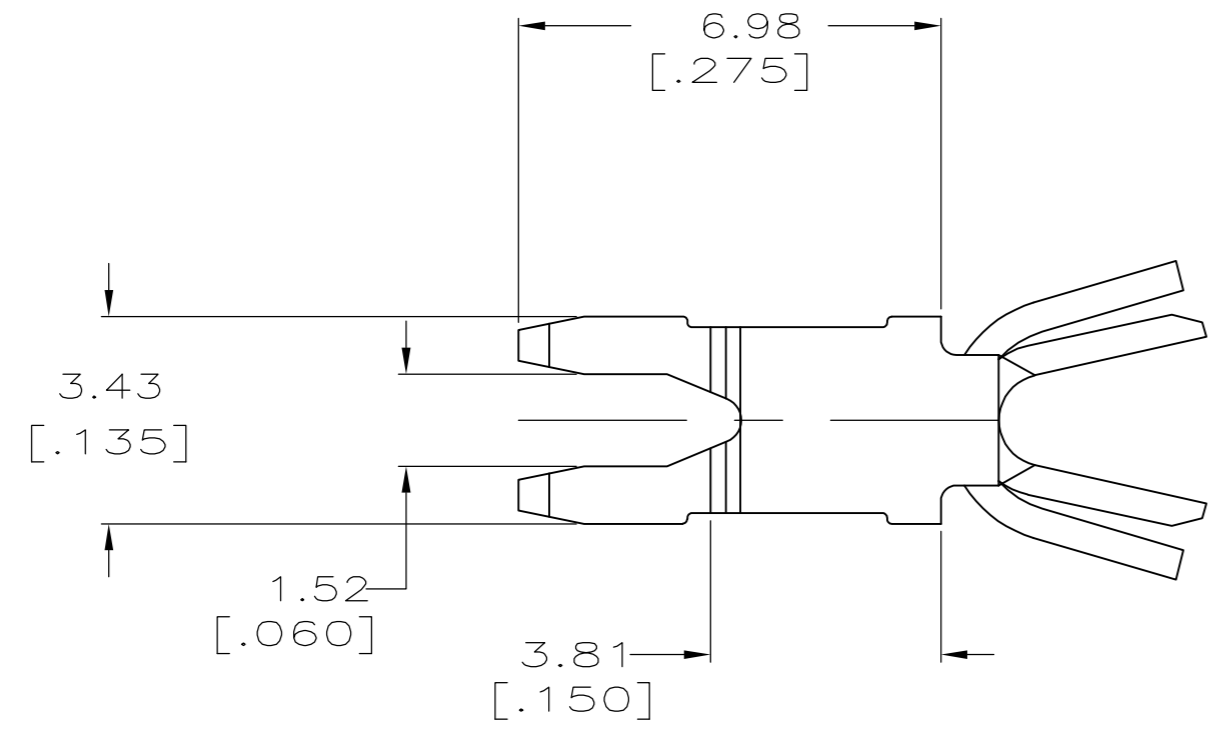


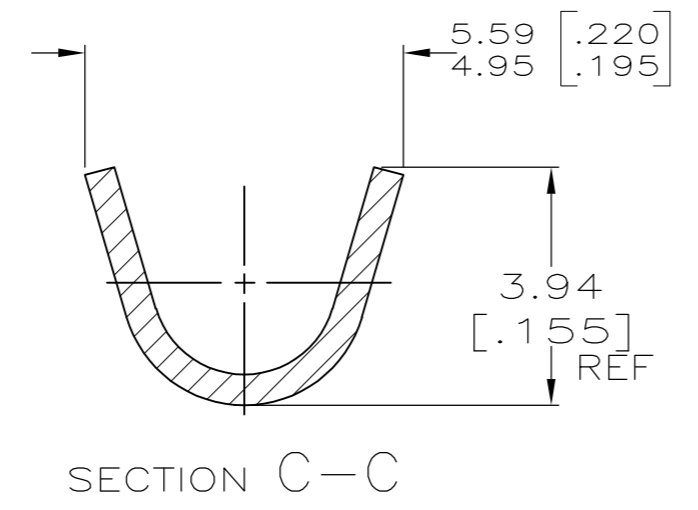
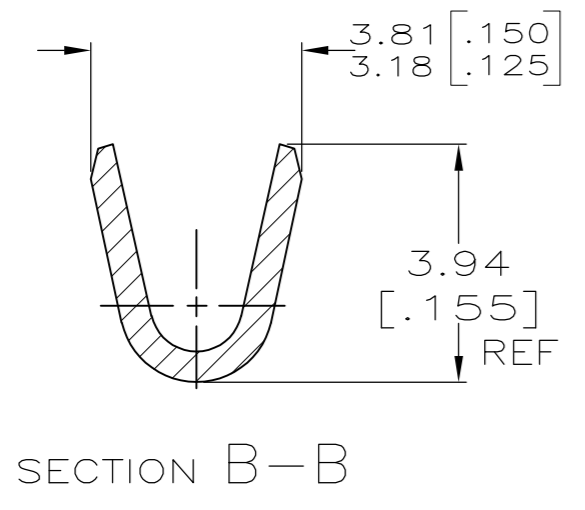
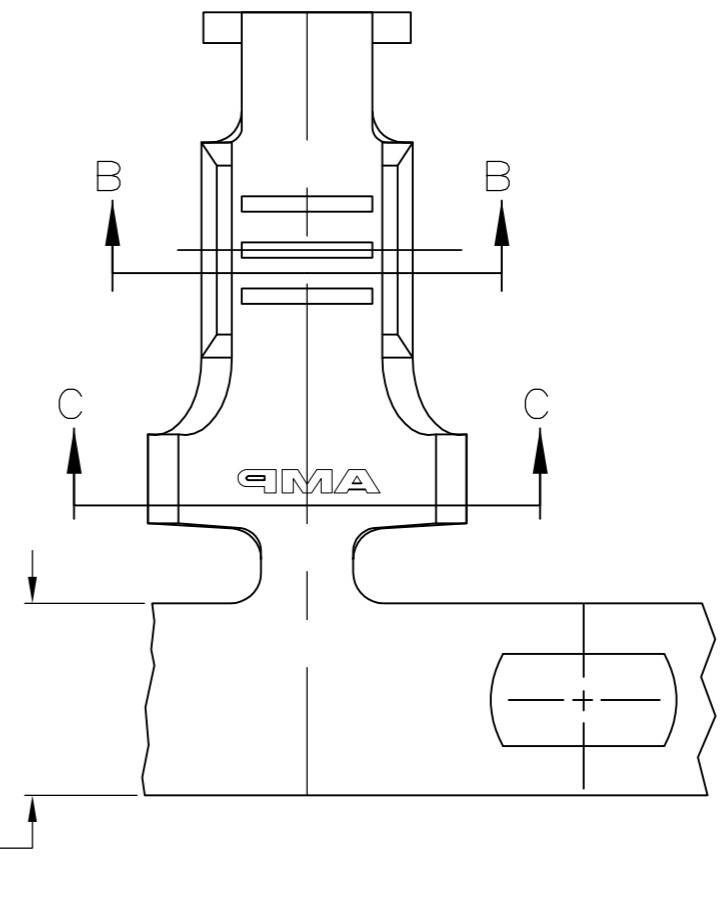
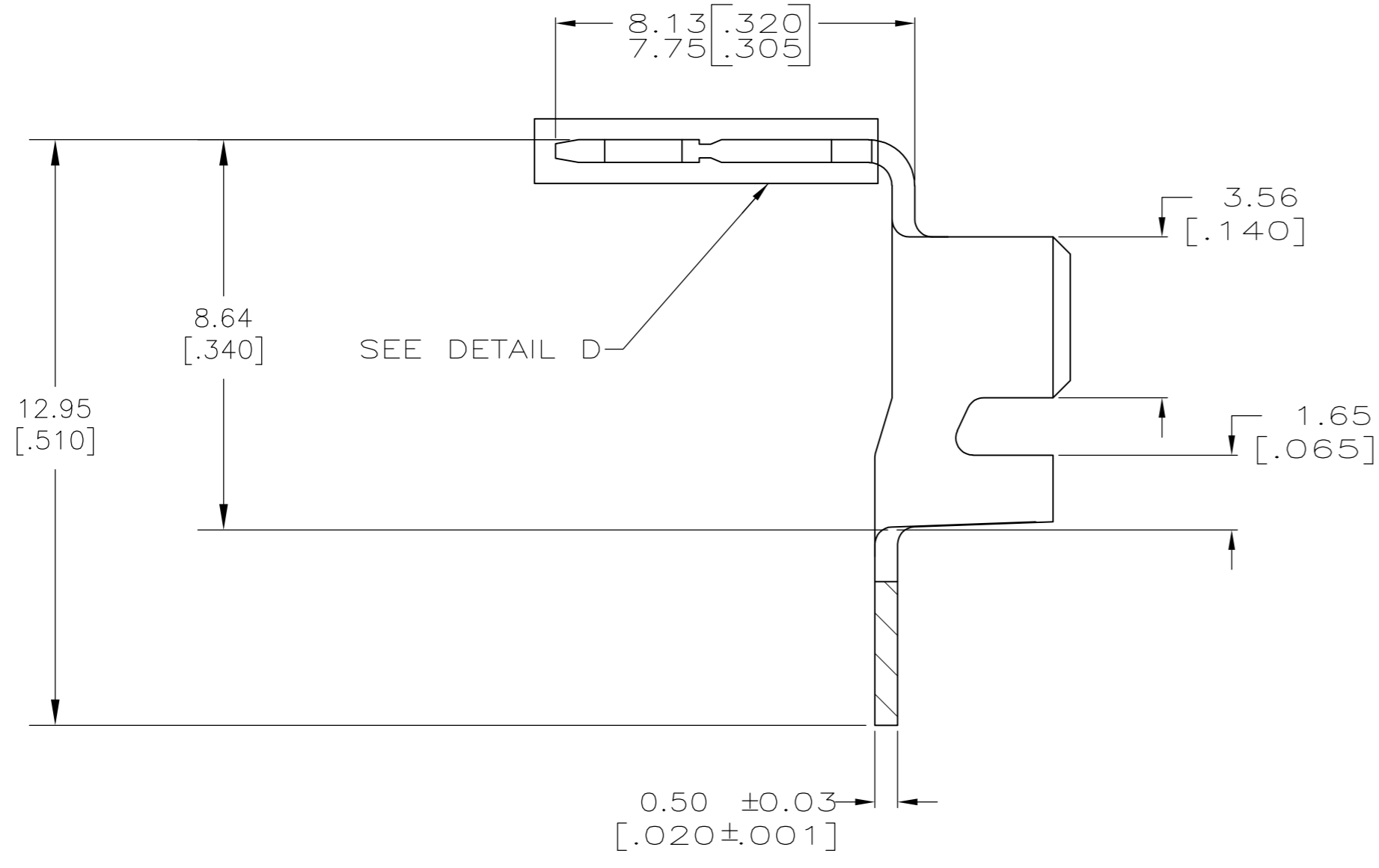
THIS DRAWING IS UNPUBLISHED. RELEASED FOR PUBLICATION  
 © COPYRIGHT - By - ALL RIGHTS RESERVED.

LOC		DIST		REVISIONS			
P	LTR	DESCRIPTION		DATE	DWN	APVD	
AF	50	J2	ECR-13-017177	05NOV13	PKS	RRP	



DETAIL D  
 SCALE 15:1

- 1 CONTINUOUS STRIP ON REELS WITH TERMINALS LOCATED ON 9.14±0.08 [.360±.003] CENTERS
- △ FOR OPTIMUM RETENTION IN POKE-IN TYPE MAG-MATE TERMINALS, THE SERRATION AS SHOWN MUST BE ENGAGED WITH THE EDGE OF THE LEAF



OBSOLETE	REVERSE	#18-#14 AWG	2.29-3.56 DIA [.090-.140]	63458-2
	STANDARD	#18-#14 AWG	2.29-3.56 DIA [.090-.140]	63458-1
	REELING	WIRE RANGE	INSULATION RANGE	PART NUMBER
THIS DRAWING IS A CONTROLLED DOCUMENT.		DWN MICHAEL S. FEHER 22DEC97 CHK RICHARD GRZYBOWSKI 20JAN98 APVD NELSON E. NEFF 21JAN98		
DIMENSIONS: INCHES		TOLERANCES UNLESS OTHERWISE SPECIFIED:	NAME TAB, POKE-IN, MAG-MATE™	
		0 PLC ± - 1 PLC ± - 2 PLC ± 0.25[.010] 3 PLC ± - 4 PLC ± - ANGLES ± -	PRODUCT SPEC 108-22045 APPLICATION SPEC 114-2050	
MATERIAL BRASS	FINISH PRE-TIN PLATED	WEIGHT -	SIZE A2	CAGE CODE 00779
CUSTOMER DRAWING		DRAWING NO C=63458	RESTRICTED TO -	REV J2
		SCALE 8:1	SHEET 1 of 1	