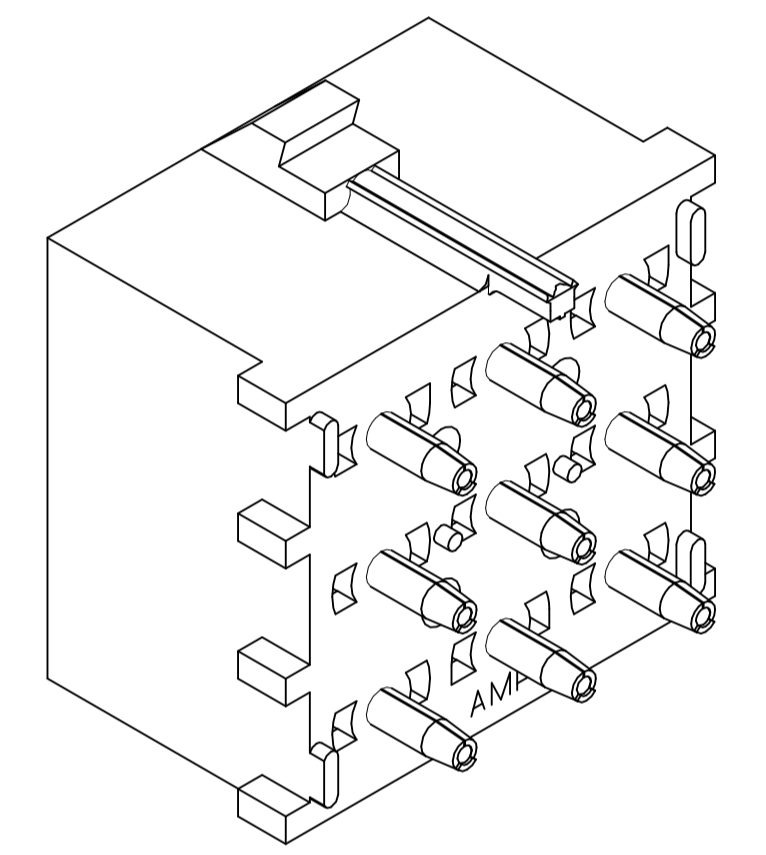
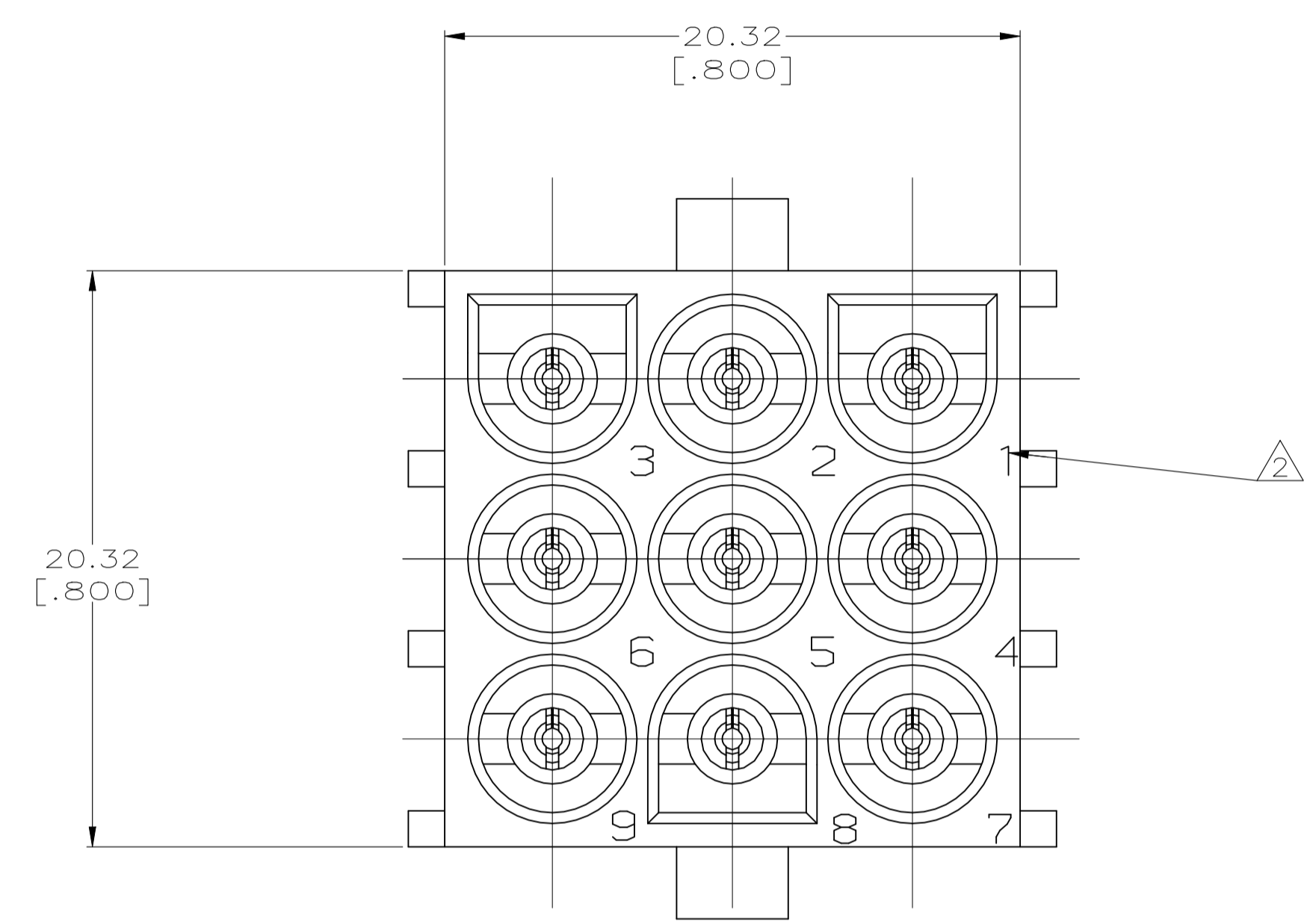
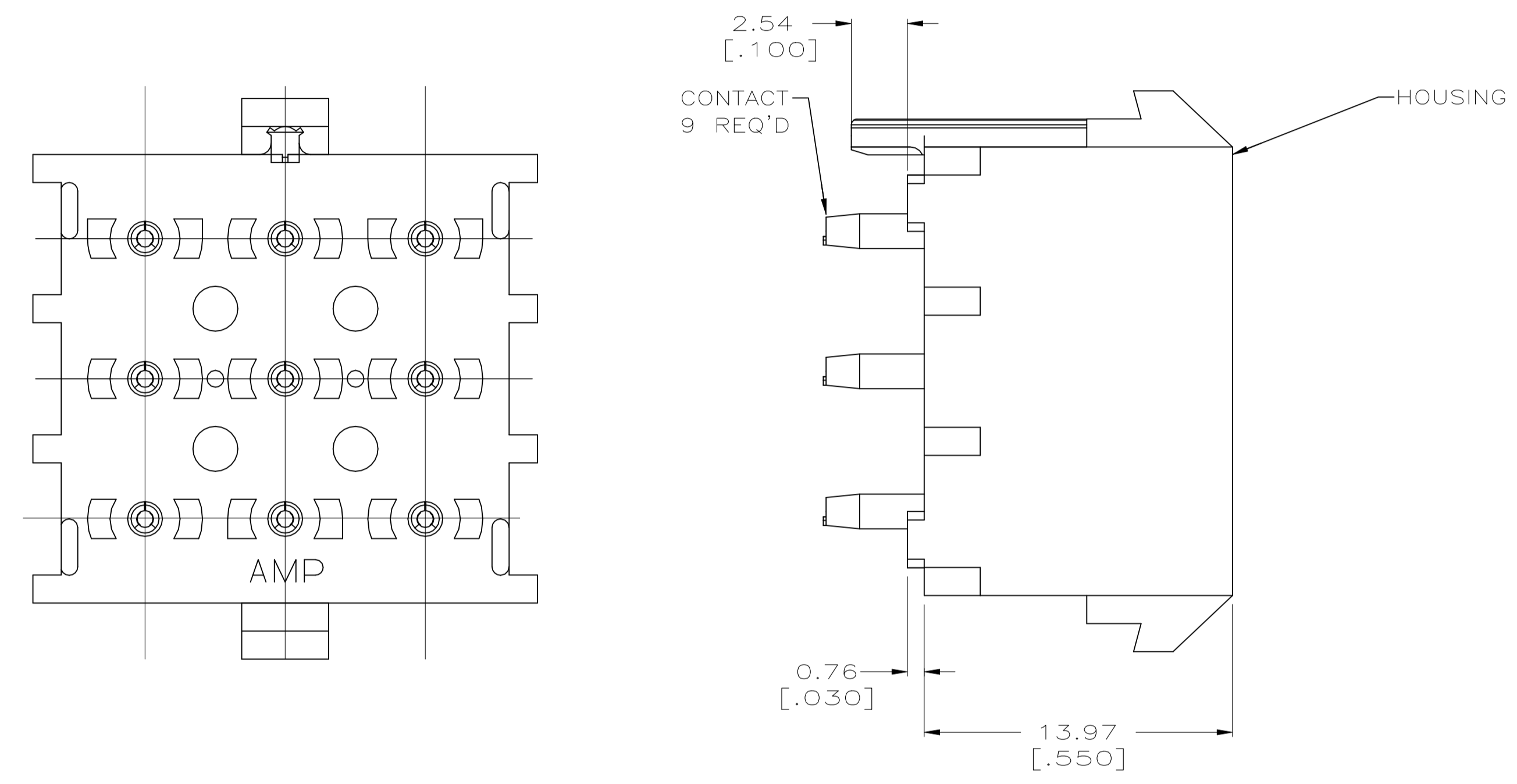
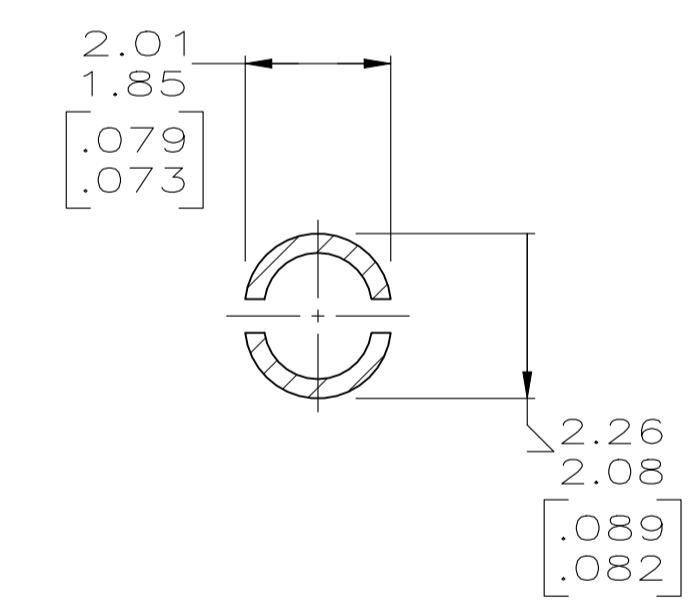


LOC		DIST		REVISIONS			
P	LTR	DESCRIPTION	DATE	DWN	APVD		
A1		REVISED PER ECR-21-117154	01AUG2022	PJ	VS		

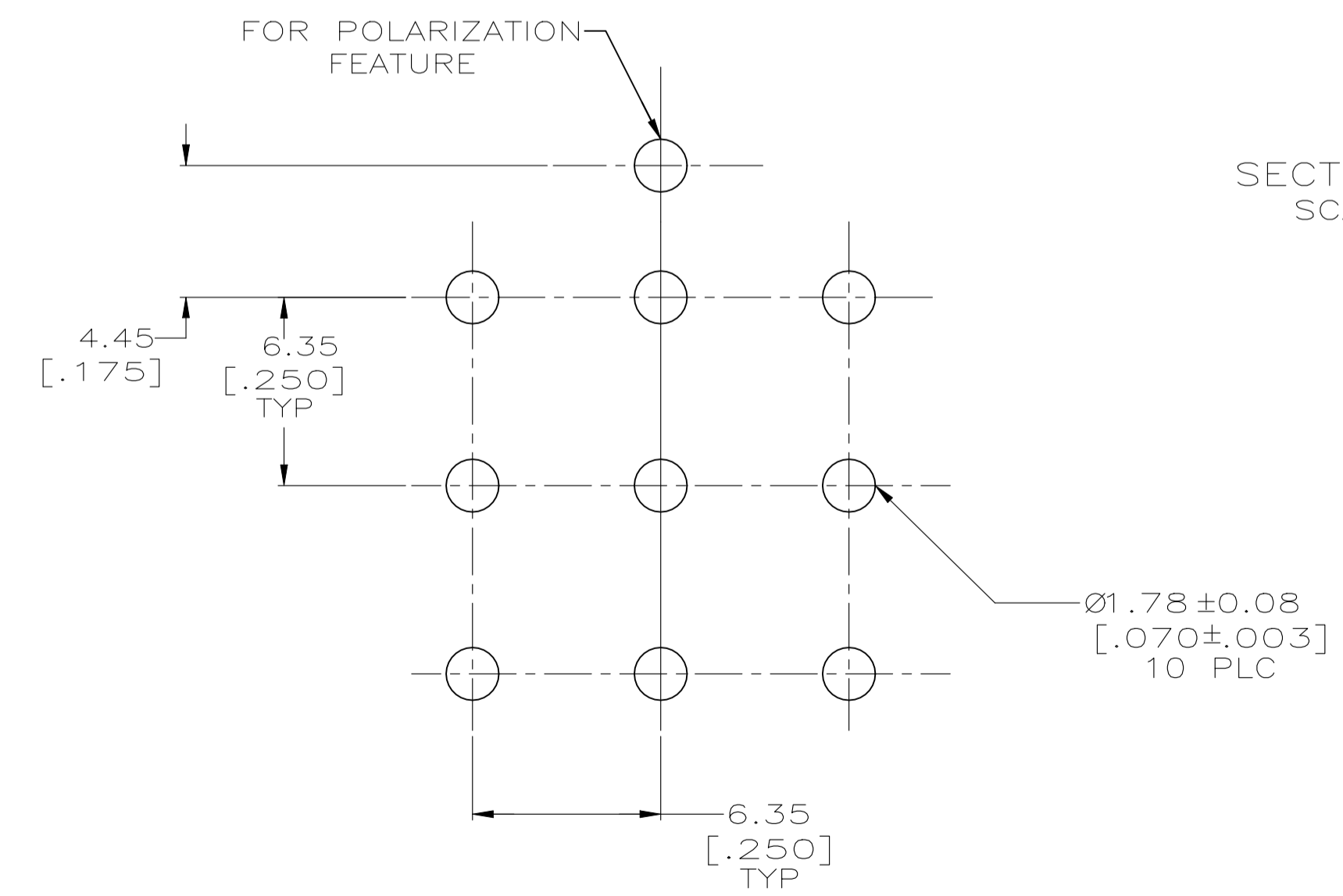
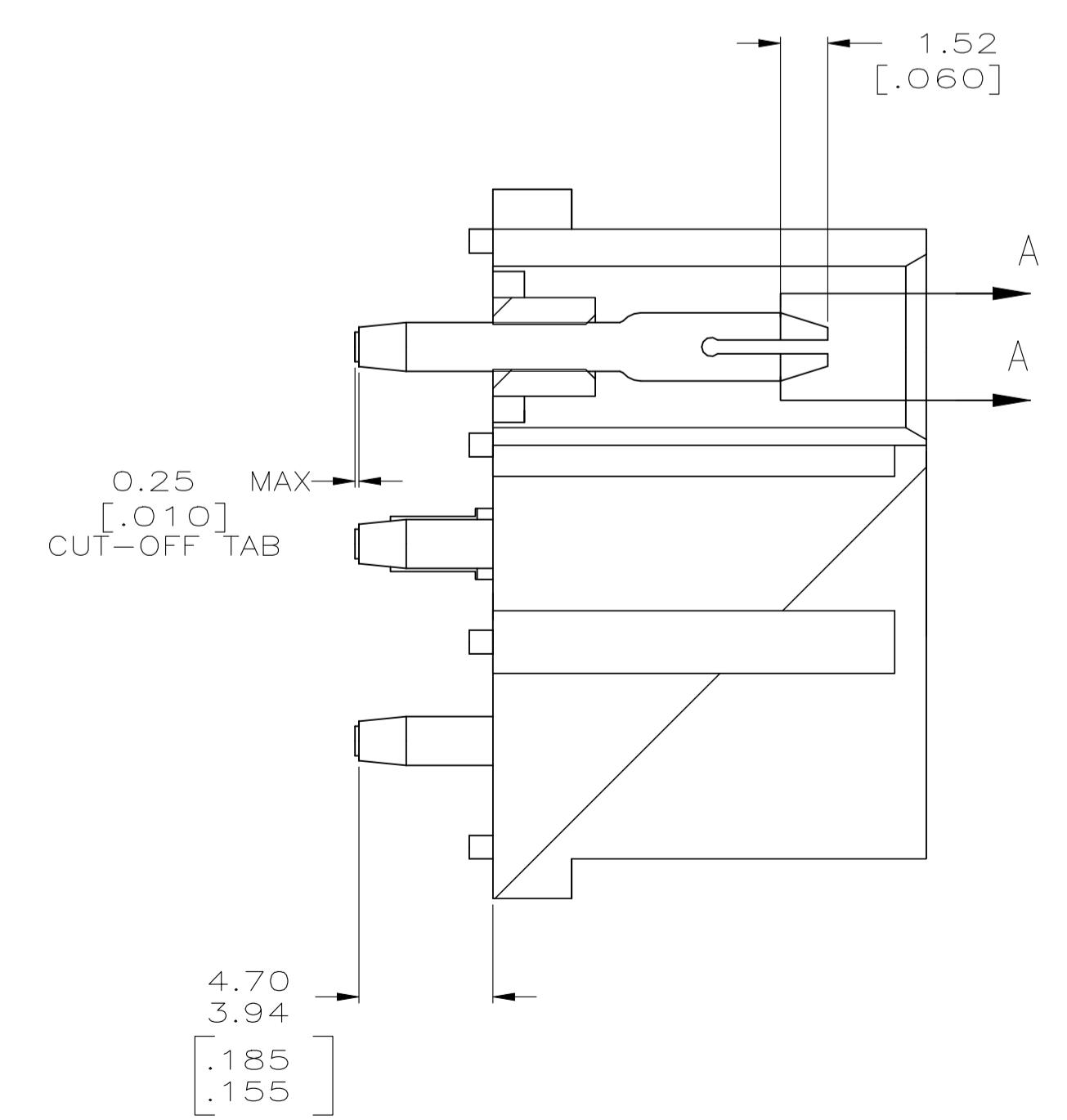
- PARTS COMPLY WITH AMP SOLDERABILITY SPECIFICATION 109-11-3.
- CIRCUIT IDENTIFICATION CHARACTERS ARE ADJACENT TO THE INDICATED CAVITIES, BUT LOCATION AND ORIENTATION MAY DIFFER FROM PRINT.
- DIMENSIONS IN BRACKETS ARE IN INCHES.
- 150 C TEMPERATURE RATING FOR THIS HOUSING IS FOR SHORT TERM DURATION. MAX OPERATING TEMPERATURE REMAINS 125 C.
- DIMENSION SHOWN REPRESENT PRODUCT IN DRY CONDITION. ADDITIONAL 2% GROWTH DUE TO END USE LOCATION MOISTURE ABSORPTION MAY OCCUR AND SHOULD BE ACCOUNTED FOR.



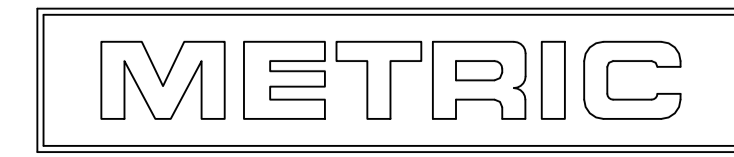
3-DIMENSIONAL MODEL NTS



SECTION A-A  
SCALE 10:1



RECOMMENDED MOUNTING HOLE PATTERN FOR 1.57 [.062] THICK P.C. BOARD



MATERIAL	FINISH	MATERIAL	COLOR	PART NO
PH BRZ	TIN PLATED	NYLON, UL94V-2	BLACK	794603-1
PIN		HOUSING		
THIS DRAWING IS A CONTROLLED DOCUMENT.		AMP Incorporated Harrisburg, PA 17105-3608		
DIMENSIONS: INCHES		TOLERANCES UNLESS OTHERWISE SPECIFIED:		
0 PLC ±-		1 PLC ±-		
1 PLC ±-		2 PLC ±-		
2 PLC ±-		3 PLC ±0.13 [.005]		
3 PLC ±-		4 PLC ±-		
4 PLC ±-		ANGLES ±-		
MATERIAL SEE TABLE		FINISH SEE TABLE		
DWN E. LEWIS 23-FEB-1999		CHK R. SWING 23-FEB-1999		
APVD M. TRULL 23-FEB-1999		NAME		
PRODUCT SPEC		APPLICATION SPEC		
WEIGHT		SIZE CAGE CODE DRAWING NO		
CUSTOMER DRAWING		A100779 C-794603		
SCALE 5:1		SHEET 1 OF 1 REV A1		