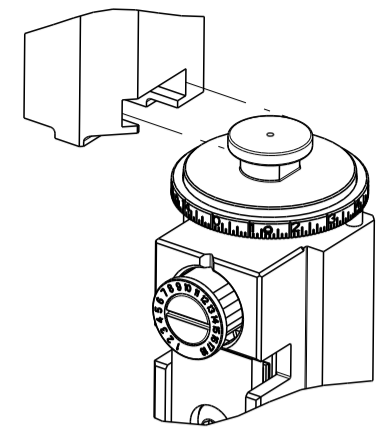


PART NUMBER	REVISION	DESCRIPTION	FEED TYPE
2150374-2	F	FINE CRIMP HEIGHT ADJUST	PNEUMATIC
7-2150374-2	F	PNEUMATIC AND CRIMP TOOLING KIT	PNEUMATIC
7-2150374-7	A	CRIMP TOOLING KIT	-

ATLANTIC VERSION TERMINATOR INTERFACE ADAPTER



APPLICATOR DATA		
CRIMP	SIZE	TYPE
WIRE	4.06 mm [1.60]	F
INSUL	6.35 mm [2.50]	F
APPLICATOR INSTRUCTIONS 408-35043		

TERMINAL DATA: TE TERMINAL		TE CRIMP SPECIFICATION	
TERMINAL NAME: .375 SERIES FASTIN-FASTON RECEPTACLE			
WIRE STRIP LENGTH		INSULATION DIAMETER RANGE	
6.48-7.24 mm [1.255-.285 IN]		∅3.00-5.08 mm [1.18-.200 IN]	
TERMINAL APPLICATION SPECIFICATION	114-20021	-	-
TERMINALS APPLIED			
TE TERMINAL	TE TERMINAL	TE TERMINAL	TE TERMINAL
280756-2	280756-4		

WIRE SIZE	CRIMP HEIGHT mm [INCH]	CRIMP HEIGHT REFERENCE SETTING
6.00mm2	2.79+/-0.05 [1.110+/-0.002]	4.8
4.00mm2	2.59+/-0.05 [1.02+/-0.002]	6.8
3.00mm2	2.39+/-0.05 [1.094+/-0.002]	7.6

- RECOMMENDED SPARE PARTS
- REFER TO SUPPLIED INSTRUCTION SHEET FOR CLEANING, LUBRICATION AND STORAGE OF APPLICATOR.
- APPLY PART NUMBER 2-23419-6 LOCTITE TO THREADS OF ITEM 242. APPLY PART NUMBER 1-23419-5 LOCTITE TO THREADS OF ITEM 180.
- CRIMP HEIGHT REFERENCE SETTING WAS THE SETTING USED WHEN THE APPLICATOR WAS QUALIFIED AT THE FACTORY. ADJUSTMENT MAY BE NECESSARY WHEN RUNNING APPLICATOR IN THE FIELD.
- TERMINAL LUBRICANT IS RECOMMENDED.
- 6. UNLESS SPECIFIED OTHERWISE TORQUE VALUES SHALL BE USED PER DOCUMENT, 101-35000.
- TERMINAL PITCH NOT COMPATIBLE WITH MECHANICAL FEED.
- THIS CRIMP PARAMETER IS PROVIDED TO MEET A CUSTOM AND UNIQUE CUSTOMER REQUIREMENT. IT HAS BEEN EVALUATED AND IS CONDITIONALLY SPECIFIED BY TE CONNECTIVITY. THIS CUSTOMIZED CRIMP PARAMETER IS NOT LISTED AS AN APPROVED APPLICATION WITHIN A TE CONNECTIVITY APPLICATION SPECIFICATION; HOWEVER, IT HAS BEEN VALIDATED ACCORDING TO TE CONNECTIVITY SPECIFICATIONS 109-18079 (TEST GROUP 1) AND 114-18022. TE CONNECTIVITY EXPRESSLY DISCLAIMS ANY AND ALL WARRANTIES THAT THE PRODUCT WILL PERFORM SIMILARLY TO VALIDATED AND APPROVED APPLICATIONS, AS STATED WITHIN TE CONNECTIVITY APPLICATION SPECIFICATIONS, INCLUDING BUT NOT LIMITED TO IMPLIED WARRANTIES OF MERCHANTABILITY OR FITNESS FOR PARTICULAR PURPOSE. AS SUCH, IT IS HIGHLY RECOMMENDED THAT THE CUSTOMER PERFORM FURTHER DETAILED EVALUATION TO ASSESS PRODUCT PERFORMANCE IN THE SPECIFIC APPLICATION.

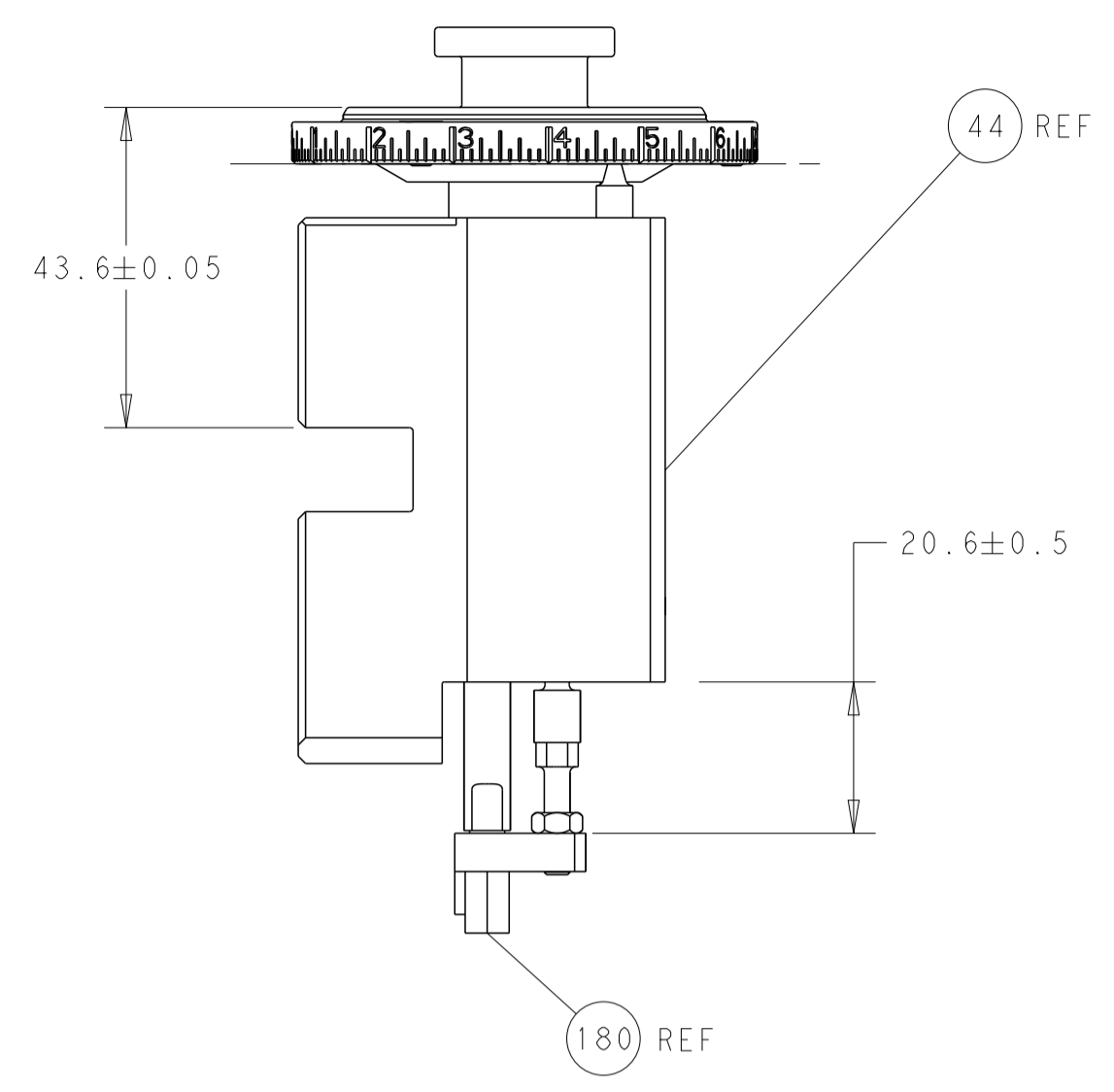
LOC	DIST	REVISIONS					
A	66	P	LTN	DESCRIPTION	DATE	DWN	APVD
		C1		ECR-18-006612	30APR2018	AW	JD
		D		ECR-18-014436	11SEP2018	TB	TE
		E		ECR-21-003458	20MAR2021	TB	RK
		F		ECR-22-153451	22SEP2022	FZ	JAH

-	1	1	2119641-1	FEED CAM, AIR FEED	248		
-	1	1	2119082-7	CAM, SNAIL, INSULATION ADJUSTMENT	244		
-	1	1	2079764-1	WASHER, WAVE SPRING, CREST-TO-CREST	243		
	1	1	2119083-1	RETAINER, INSULATION DIAL	242		
-	1	1	2844940-4	AIR FEED MODULE	238		
-	1	1	1-18028-0	WASHER, FLAT, REG M8	192		
	1	1	1-1752354-8	STANDOFF,HOLD-DOWN	180		
-	1	1	6-9931111-6	PIN, SLOTTED SPRING 3.0 X 14.0	177		
-	1	1	8-22280-7	SPRING, COMPRESSION	176		
-	1	1	1752353-2	GUIDE PIN,HOLDDOWN	175		
-	1	1	1901680-2	GUIDE PIN,HOLDDOWN	174		
-	REF	REF	994970-2	COUNTER, MAGNETIC	164		
	1	1	2119955-2	ASSY, LUBRICATOR, END FEED	84		
-	1	1	455888-7	SPACER, CRIMPER	82		
-	1	1	2119791-5	DEPRESSOR, WIRE	73		
-	1	1	1803607-4	DOCUMENTATION PACKAGE	71		
-	2	2	2-18032-2	SCR, SET, FLT PNT, M3 X 10.0	70		
-	1	1	2119740-1	TAG, IDENTIFICATION	67		
-	2	2	2168078-1	SCREW, DRIVE, RH, RoHS, 2 x .188	66		
-	1	1	1901681-9	HOLDDOWN, TERMINAL	65		
-	2	2	2168400-5	SHCS, LOW HEAD, RoHS, M4 X 20	64		
-	1	1	2168083-2	SCR, SKT HD CAP, RoHS, M4 X 8.0	60		
-	1	1	5-18022-5	SCR, HEX HD CAP, M4 X 6.0	59		
-	3	3	2168400-4	SHCS, LOW HEAD, RoHS, M4 X 8	57		
-	2	2	2168083-8	SCR, SKT HD CAP, RoHS, M4 X 16	56		
-	2	2	5018030-1	NUT, HEX, REG, RoHS, M3	54		
-	2	2	986965-8	NUT, LOCK, HEX, TORQUE (M4)	53		
-	1	1	1-5018030-0	NUT, HEX, REG, RoHS, M3.5	52		
-	1	1	2063961-1	FEED FINGER	51		
-	1	1	18023-9	SCR, SKT HD CAP M4 X 6.0	49		
-	1	1	2119655-5	APPLICATOR BASIC ASSEMBLY, EF	46		
-	1	1	1803517-1	RAM ASSEMBLY, EF ATLANTIC	44		
-	1	1	1803602-1	SCR, BHSC, RoHS (M8 X 25)	41		
-	7	7	1-18028-2	WASHER, FLAT, REG M4	33		
-	2	2	2168083-9	SCR, SKT HD CAP, RoHS, M4 X 20	31		
-	2	2	2168083-2	SCR, SKT HD CAP, RoHS, M4 X 8.0	29		
-	1	1	690455-1	STRIPPER, FRONT CASTING	27		
-	2	2	1-2168083-5	SCR, SKT HD CAP, RoHS, M4 X 30	25		
-	1	1	1752371-6	PLATE, STRIP GUIDE	24		
-	1	1	240825-2	PLATE, STRIP HOLD DOWN	23		
-	2	2	2-22281-2	SPRING, COMPRESSION	22		
-	1	1	1803292-4	DRAG	20		
-	2	2	1901259-7	GUIDE, LOWER STRIP	18		
-	4	4	1-2079383-1	SCR, BHSC, RoHS (M6 X 12)	17		
-	1	1	1-240641-4	SPACER	16		
-	1	1	1752360-1	SPACER,HOLD-DOWN	13		
	1	1	240833-3	PLATE, REAR SHEAR	11		
-	-	-	-	-	10		
	1	1	690482-6	PLATE, FRONT SHEAR	9		
	1	2	1333223-4	ANVIL, COMBINATION	8		
	1	1	2217206-5	BLADE, SLUG	7		
-	-	-	-	-	6		
-	1	1	1-240641-8	SPACER	5		
-	1	1	1-238011-2	BLOCK, CRIMPER SPACER	4		
	1	2	1-1803016-6	CRIMPER, INSULATION F	3		
-	1	1	455888-2	SPACER, CRIMPER	2		
	1	2	2-456414-0	CRIMPER, WIRE	1		
-	77	72	-2	PART NO		DESCRIPTION	ITEM NO

ATLANTIC VERSION
Shown on sheets 1 of 4 & 2 of 4
(Pacific version shown on sheets 3 of 4 & 4 of 4)

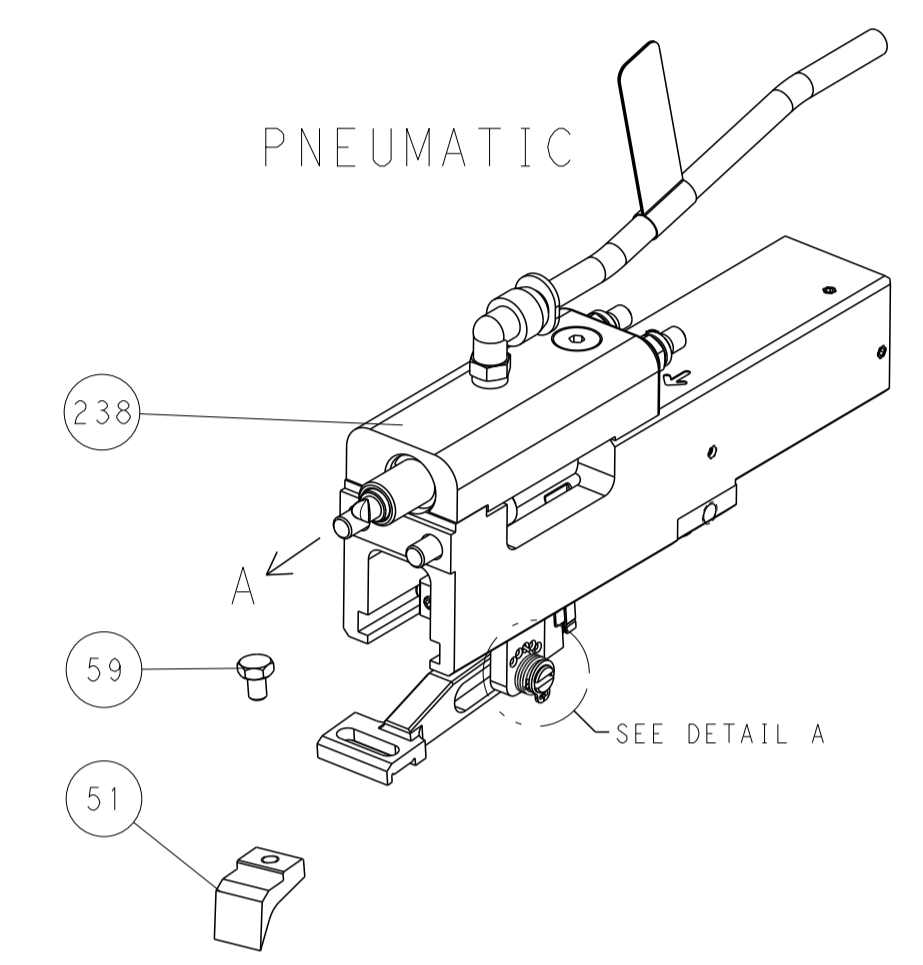
DIMENSIONS:		TOLERANCES UNLESS OTHERWISE SPECIFIED:		DRAWN		CHK		APVD		NAME	
mm	0 PLC ±	1 PLC ±	2 PLC ±	3 PLC ±	4 PLC ±	ANGLES ±	FINISH	X. ZHAO	10OCT2013	T. ELBIN	10OCT2013
MATERIAL		FINISH		WEIGHT		SCALE		SHEET		REV	
-		-		-		A 00779 C=2150374		1 of 4		F	

LOC	DIST	REVISIONS					
		P	LTN	DESCRIPTION	DATE	DMN	APVD
A	66	-	-	SEE SHEET 1	-	-	-

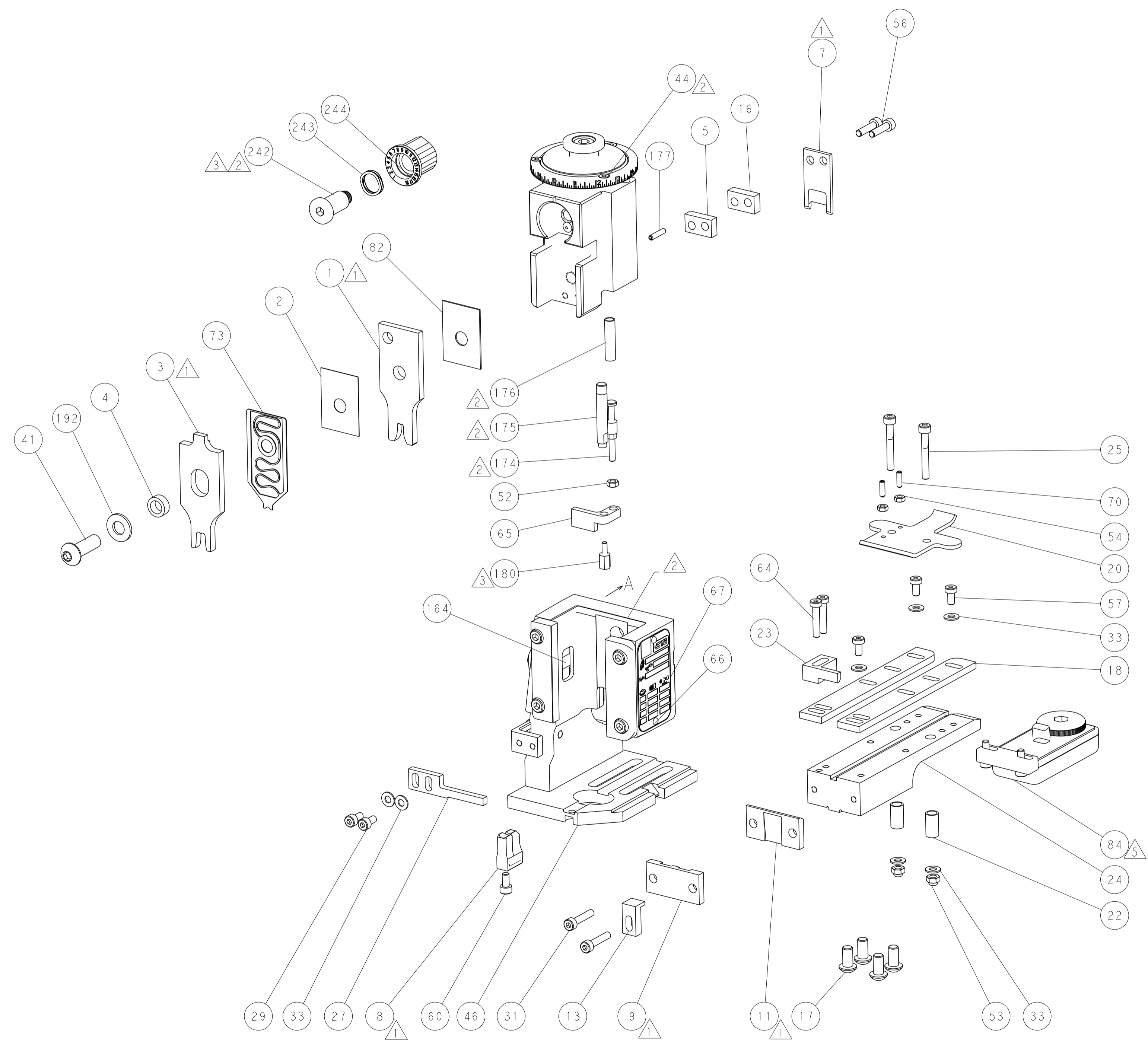
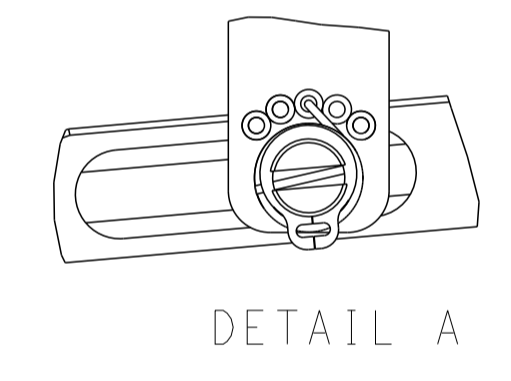


RAM AND HOLDDOWN SET-UP

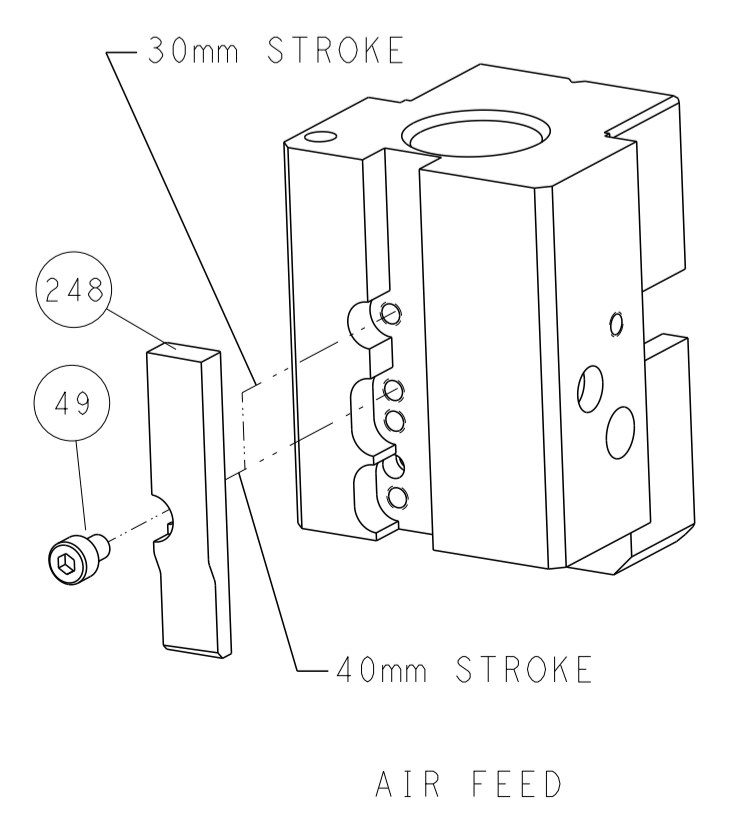
FEED TYPE



FEED SPRING SETTING POSITION



CAM POSITION

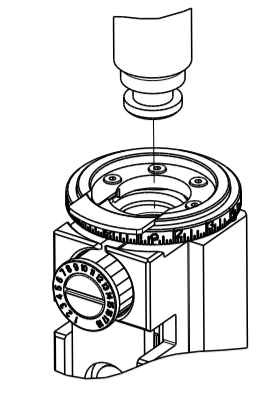


ATLANTIC VERSION
 Shown on sheets 1 of 4 & 2 of 4
 (Pacific version shown on sheets 3 of 4 & 4 of 4)

<small>THIS DRAWING IS UNPUBLISHED. RELEASED FOR PUBLICATION. ALL RIGHTS RESERVED. © 2000 BY TYCO ELECTRONICS CORPORATION. THIS DRAWING IS CONTROLLED DOCUMENT AND IS THE PROPERTY OF TYCO ELECTRONICS CORPORATION. IT IS TO BE KEPT IN CONFIDENTIALITY AND IS NOT TO BE REPRODUCED OR TRANSMITTED IN ANY FORM OR BY ANY MEANS, ELECTRONIC OR MECHANICAL, INCLUDING PHOTOCOPYING, RECORDING, OR BY ANY INFORMATION STORAGE AND RETRIEVAL SYSTEM, WITHOUT THE WRITTEN PERMISSION OF TYCO ELECTRONICS CORPORATION.</small>		DWN X.ZHAO 10OCT2013 CHK T.ELBIN 10OCT2013 APVD L.ZHANG 10OCT2013	TE Connectivity Harrisburg, PA 17105-3608
DIMENSIONS: mm TOLERANCES UNLESS OTHERWISE SPECIFIED: 0 PLC ± 1 PLC ± 2 PLC ± 3 PLC ± 4 PLC ± ANGLES ± FINISH		NAME Ocean End Feed Applicator PRODUCT SPEC APPLICATION SPEC SIZE CAGE CODE DRAWING NO A 00779 C=2150374	RESTRICTED TO SCALE 1:1 SHEET 2 OF 4 REV F
MATERIAL:		WEIGHT:	Customer Accessible Production Drawing

PART NUMBER	REVISION	DESCRIPTION	FEED TYPE
2-2150374-2	F	FINE CRIMP HEIGHT ADJUST	PNEUMATIC
7-2150374-7	A	CRIMP TOOLING KIT	-

PACIFIC VERSION TERMINATOR
 INTERFACE ADAPTER



APPLICATOR DATA

CRIMP	SIZE	TYPE
WIRE	4.06 mm [1.60]	F
INSUL	6.35 mm [2.50]	F

APPLICATOR INSTRUCTIONS
 408-35043

TERMINAL DATA: TE TERMINAL TE CRIMP SPECIFICATION

TERMINAL NAME: .375 SERIES FASTON-FASTON RECEPTACLE

WIRE STRIP LENGTH	INSULATION DIAMETER RANGE
6.48-7.24 mm [1.255-.285 IN]	3.00-5.08 mm [1.118-.200 IN]

TERMINAL APPLICATION SPECIFICATION 114-20021

TERMINALS APPLIED 3/7

TE TERMINAL	TE TERMINAL	TE TERMINAL	TE TERMINAL
280756-2	280756-4		

WIRE SIZE	CRIMP HEIGHT mm [INCH]	CRIMP HEIGHT REFERENCE SETTING
6.00mm2	2.79+/-0.05 [1.10+/-0.02]	4.8
4.00mm2	2.59+/-0.05 [1.02+/-0.02]	6.8
3.00mm2	2.39+/-0.05 [0.94+/-0.02]	7.6



- 1 RECOMMENDED SPARE PARTS
- 2 REFER TO SUPPLIED INSTRUCTION SHEET FOR CLEANING, LUBRICATION AND STORAGE OF APPLICATOR.
- 3 APPLY PART NUMBER 2-23419-6 LOCTITE TO THREADS OF ITEM 242. APPLY PART NUMBER 1-23419-5 LOCTITE TO THREADS OF ITEM 180.
- 4 CRIMP HEIGHT REFERENCE SETTING WAS THE SETTING USED WHEN THE APPLICATOR WAS QUALIFIED AT THE FACTORY. ADJUSTMENT MAY BE NECESSARY WHEN RUNNING APPLICATOR IN THE FIELD.
- 5 TERMINAL LUBRICANT IS RECOMMENDED.
- 6. UNLESS SPECIFIED OTHERWISE TORQUE VALUES SHALL BE USED PER DOCUMENT, 101-35000.
- 7 TERMINAL PITCH NOT COMPATIBLE WITH MECHANICAL FEED.
- 8 THIS CRIMP PARAMETER IS PROVIDED TO MEET A CUSTOM AND UNIQUE CUSTOMER REQUIREMENT. IT HAS BEEN EVALUATED AND IS CONDITIONALLY SPECIFIED BY TE CONNECTIVITY. THIS CUSTOMIZED CRIMP PARAMETER IS NOT LISTED AS AN APPROVED APPLICATION WITHIN A TE CONNECTIVITY APPLICATION SPECIFICATION; HOWEVER, IT HAS BEEN VALIDATED ACCORDING TO TE CONNECTIVITY SPECIFICATIONS 109-18079 (TEST GROUP 1) AND 114-18022. TE CONNECTIVITY EXPRESSLY DISCLAIMS ANY AND ALL WARRANTIES THAT THE PRODUCT WILL PERFORM SIMILARLY TO VALIDATED AND APPROVED APPLICATIONS, AS STATED WITHIN TE CONNECTIVITY APPLICATION SPECIFICATIONS, INCLUDING BUT NOT LIMITED TO IMPLIED WARRANTIES OF MERCHANTABILITY OR FITNESS FOR PARTICULAR PURPOSE. AS SUCH, IT IS HIGHLY RECOMMENDED THAT THE CUSTOMER PERFORM FURTHER DETAILED EVALUATION TO ASSESS PRODUCT PERFORMANCE IN THE SPECIFIC APPLICATION.

***WARNING**
 ON INSTALLATION, SET WIRE DISC TO CRIMP HEIGHT REFERENCE SETTING FOR LARGEST WIRE SIZE. CRIMP HEIGHT REFERENCE SETTINGS GREATER THAN THE VALUE SHOWN MAY CAUSE DAMAGE TO THE CRIMP TOOLING. REFER TO THE INSTRUCTION SHEET FOR PROPER SETUP AND ADJUSTMENTS.

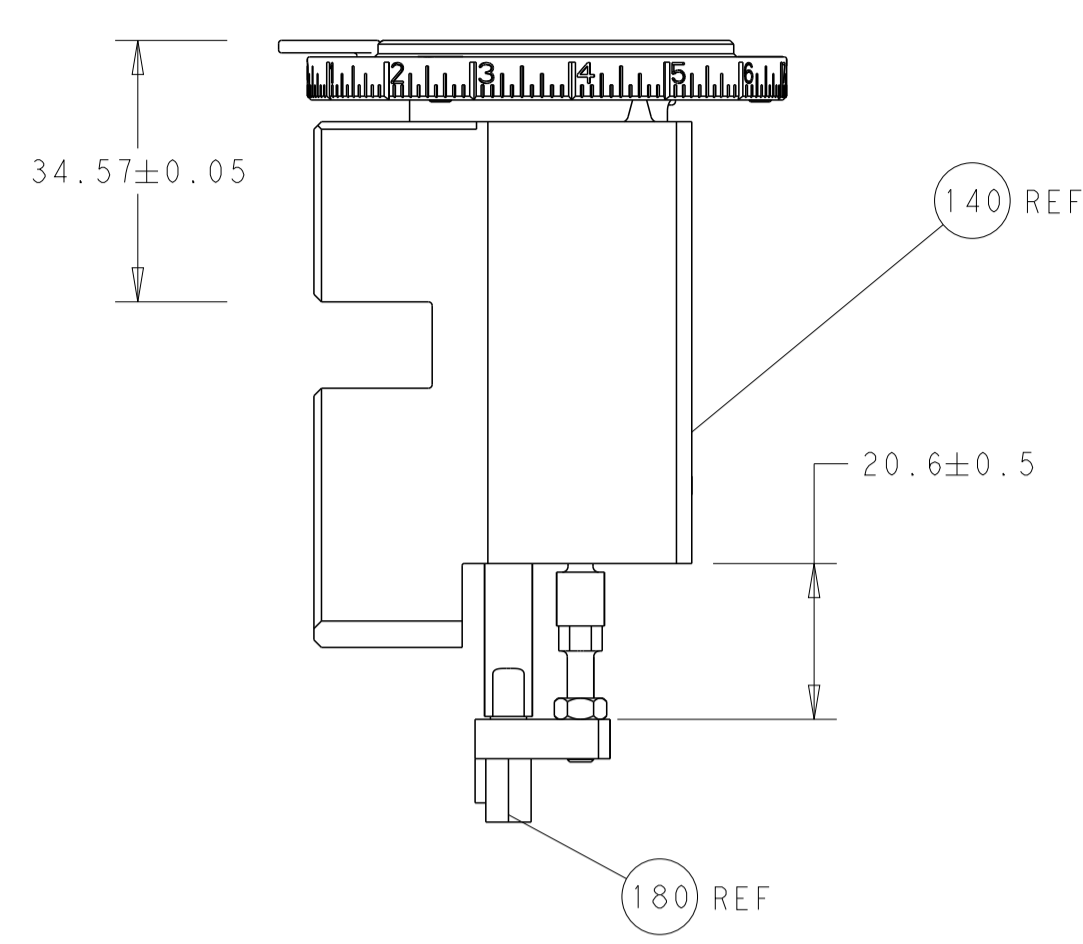
LOC	DIST	REVISIONS					
A	66	P	LTN	DESCRIPTION	DATE	OWN	APVD
		-		SEE SHEET 1			

-	1	2119082-7	CAM, SNAIL, INSULATION ADJUSTMENT	244	
-	1	2079764-1	WASHER, WAVE SPRING, CREST-TO-CREST	243	
3	-	1	2119083-1	RETAINER, INSULATION DIAL	242
-	1	2844940-4	AIR FEED MODULE	238	
-	1	1-18028-0	WASHER, FLAT, REG M8	192	
-	4	2079383-9	SCR, BHSC, RoHS (M6 X 20)	186	
3	-	1	1-1752354-8	STANDOFF, HOLD-DOWN	180
-	1	6-993111-6	PIN, SLOTTED SPRING 3.0 X 14.0	177	
-	1	8-22280-7	SPRING, COMPRESSION	176	
-	1	1752353-2	GUIDE PIN, HOLDDOWN	175	
-	1	1901680-2	GUIDE PIN, HOLDDOWN	174	
-	REF	994970-2	COUNTER, MAGNETIC	164	
-	1	2119641-2	FEED CAM, AIR FEED	152	
-	1	2168083-8	SCR, SKT HD CAP, RoHS, M4 X 16	144	
-	1	2119655-6	APPLICATOR BASIC ASSEMBLY, EF	141	
-	1	1803518-1	RAM ASSEMBLY, EF PACIFIC	140	
5	-	1	2119955-2	ASSY, LUBRICATOR, END FEED	84
-	1	455888-7	SPACER, CRIMPER	82	
-	1	2119791-5	DEPRESSOR, WIRE	73	
-	1	1803607-4	DOCUMENTATION PACKAGE	71	
-	2	2-18032-2	SCR, SET, FLT PNT, M3 X 10.0	70	
-	1	2119740-1	TAG, IDENTIFICATION	67	
-	2	2168078-1	SCREW, DRIVE, RH, RoHS, 2 x .188	66	
-	1	1901681-9	HOLDDOWN, TERMINAL	65	
-	2	2168400-5	SHCS, LOW HEAD, RoHS, M4 X 20	64	
-	1	5-18022-5	SCR, HEX HD CAP, M4 X 6.0	59	
-	3	2168400-4	SHCS, LOW HEAD, RoHS, M4 X 8	57	
-	2	2168083-8	SCR, SKT HD CAP, RoHS, M4 X 16	56	
-	2	5018030-1	NUT, HEX, REG, RoHS, M3	54	
-	2	986965-8	NUT, LOCK, HEX, TORQUE (M4)	53	
-	1	1-5018030-0	NUT, HEX, REG, RoHS, M3.5	52	
-	1	2063961-1	FEED FINGER	51	
-	1	18023-9	SCR, SKT HD CAP M4 X 6.0	49	
-	1	1803602-1	SCR, BHSC, RoHS (M8 X 25)	41	
-	7	1-18028-2	WASHER, FLAT, REG M4	33	
-	2	2168083-9	SCR, SKT HD CAP, RoHS, M4 X 20	31	
-	2	2168083-2	SCR, SKT HD CAP, RoHS, M4 X 8.0	29	
-	1	690455-1	STRIPPER, FRONT CASTING	27	
-	2	1-2168083-5	SCR, SKT HD CAP, RoHS, M4 X 30	25	
-	1	1752371-6	PLATE, STRIP GUIDE	24	
-	1	240825-2	PLATE, STRIP HOLD DOWN	23	
-	2	2-22281-2	SPRING, COMPRESSION	22	
-	1	1803292-4	DRAG	20	
-	2	1901259-7	GUIDE, LOWER STRIP	18	
-	1	1-240641-4	SPACER	16	
-	1	1752360-1	SPACER, HOLD-DOWN	13	
1	-	1	240833-3	PLATE, REAR SHEAR	11
-	-	-	-	10	
1	-	1	690482-6	PLATE, FRONT SHEAR	9
1	1	1333223-4	ANVIL, COMBINATION	8	
1	-	1	2217206-5	BLADE, SLUG	7
-	-	-	-	6	
-	1	1-240641-8	SPACER	5	
-	1	1-238011-2	BLOCK, CRIMPER SPACER	4	
1	1	2-1803016-6	CRIMPER, INSULATION F	3	
-	1	455888-2	SPACER, CRIMPER	2	
1	1	2-456414-0	CRIMPER, WIRE	1	
-	77-22	PART NO	DESCRIPTION	ITEM NO	

PACIFIC VERSION
 Shown on sheets 3 of 4 & 4 of 4
 (Atlantic version shown on sheets 1 of 4 & 2 of 4)

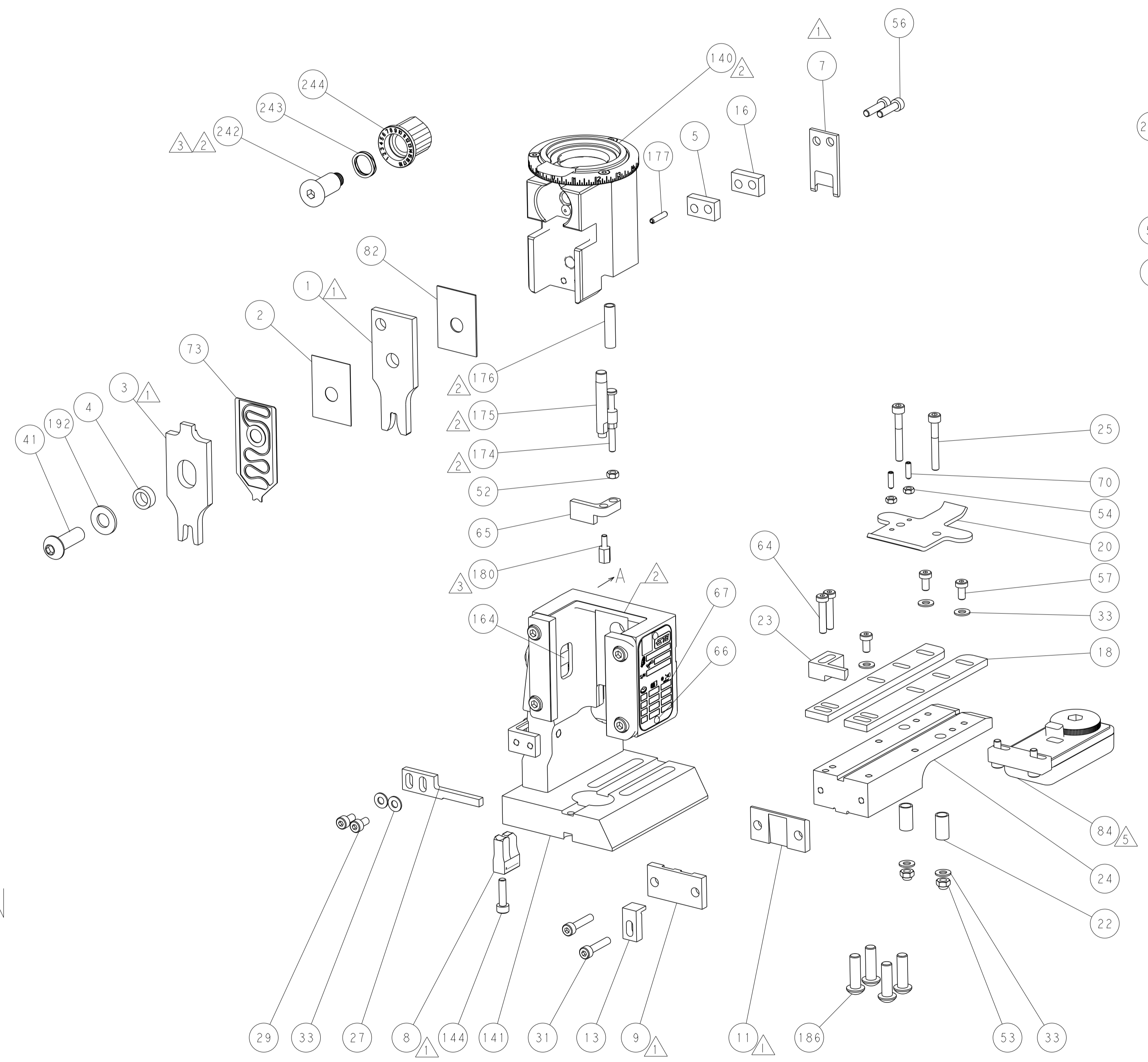
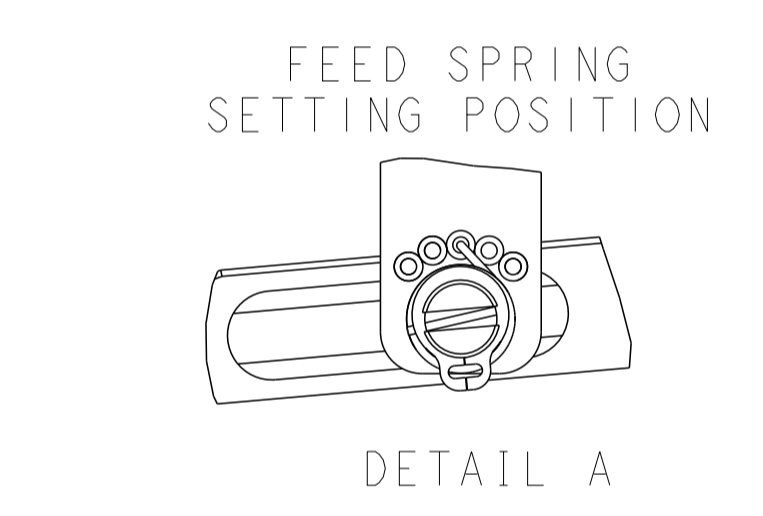
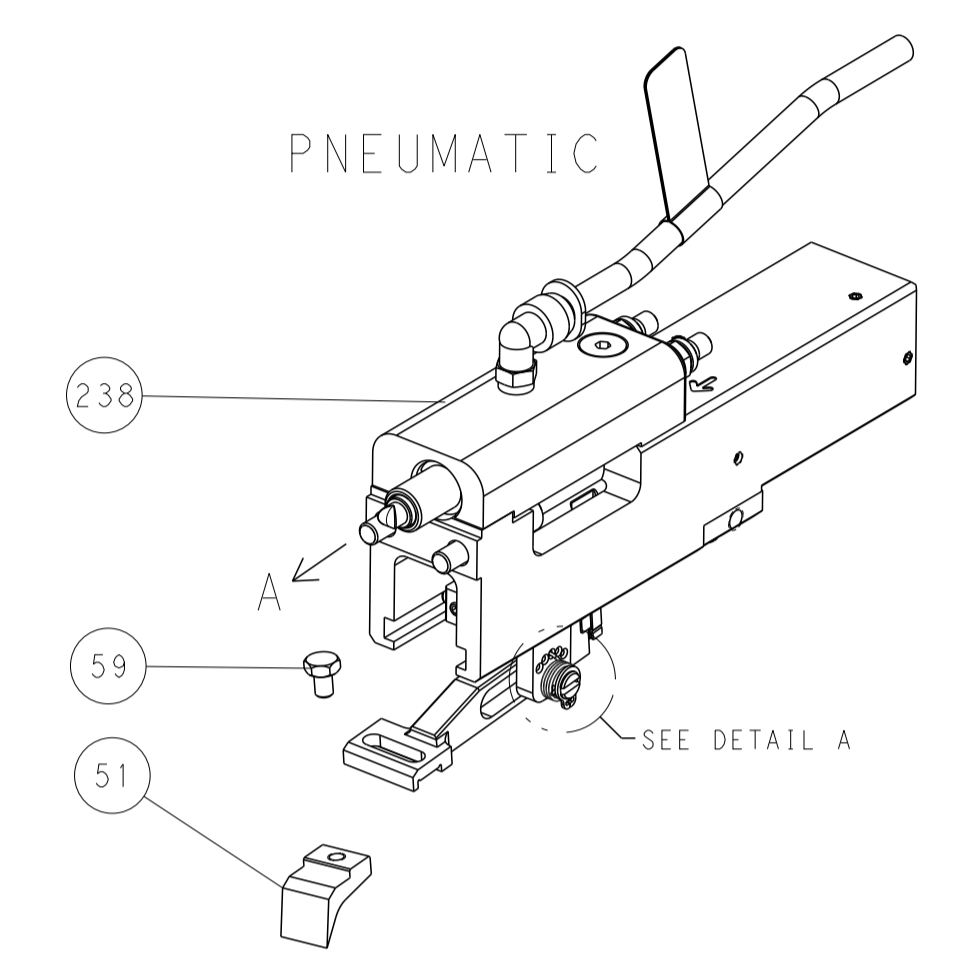
DIMENSIONS: mm		TOLERANCES UNLESS OTHERWISE SPECIFIED:		DWN X ZHAO 10OCT2013		TE Connectivity Harrisburg, PA 17105-3608	
0 PLC ±		1 PLC ±		CHK T. ELBIN 10OCT2013		NAME Ocean End Feed Applicator	
2 PLC ±		3 PLC ±		APVD L. ZHANG 10OCT2013		SIZE CAGE CODE DRAWING NO RESTRICTED TO	
4 PLC ±		ANGLES ±		PRODUCT SPEC		A1 00779 C=2150374	
MATERIAL		FINISH		APPLICATION SPEC		WEIGHT	
						Customer Accessible Production Drawing SCALE 1:1 SHEET 3 OF 4 REV F	

LOC	DIST	REVISIONS					
A	66	P	LTN	DESCRIPTION	DATE	DWN	APVD
		-		SEE SHEET 1			

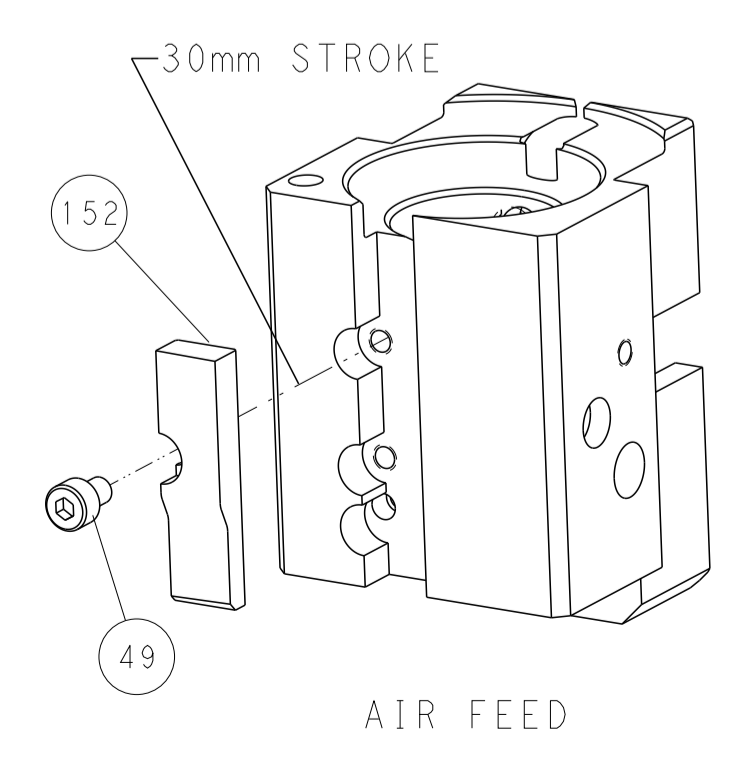


RAM AND HOLDDOWN SET-UP

FEED TYPE



CAM POSITION



AIR FEED

PACIFIC VERSION
 Shown on sheets 3 of 4 & 4 of 4
 (Atlantic version shown on sheets 1 of 4 & 2 of 4)

<small>THIS DRAWING IS UNPUBLISHED. RELEASED FOR PUBLICATION BY TYCO ELECTRONICS CORPORATION. ALL RIGHTS RESERVED.</small>		DWN X.ZHAO 10OCT2013 CHK T.ELBIN 10OCT2013 APVD L.ZHANG 10OCT2013	TE Connectivity Harrisburg, PA 17105-3608
DIMENSIONS: mm TOLERANCES UNLESS OTHERWISE SPECIFIED: 0 PLC ± 1 PLC ± 2 PLC ± 3 PLC ± 4 PLC ± ANGLES ° ± FINISH		NAME PRODUCT SPEC APPLICATION SPEC WEIGHT SCALE 1:1	NAME Ocean End Feed Applicator SIZE CAGE CODE DRAWING NO A1 00779 C=2150374 RESTRICTED TO Customer Accessible Production Drawing
MATERIAL:		SHEET 4 OF 4 REV F	SHEETS 1 & 2 ARE NOT REQUIRED FOR PACIFIC VERSION