

LAYOUT SHOWN AS EXAMPLE

Keying Shown as example

Connector dimension	
Dim	Nominal
F	19.05 Max
Z	31.5 Max
VV THREAD	M15x1-6g

CHARACTERISTICS

- Standard : Based on MIL-DTL-38999 Series III
- Shell Material : Aluminium
- Shell Plating : Olive drab Cadmium
- Insulator : Thermoplastic
- Contacts : Copper Alloy
- Seals & Grommet : Silicon Elastomer
- Contact Plating : Gold over copper Alloy 0.8µm minimum
- Durability : 500 Mating cycles
- Delivered with Souriau contacts and Accessories
- Temperature Range : -65°C to +175°C
- Salt Spray : 500 hours

SOURIAU shall not be liable for any non-conformity or damage due to a use of the Products which does not comply with the Specifications issued by either of the Parties or by a third party (professional recommendation, technical notice.)

Country	Jurisdiction & Control List
FR	Not Listed

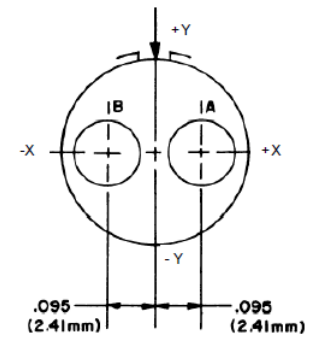
PN: 8D111W02AN

A	26-09-2016	First Release	
ISS	DATE	Latest modification - by	MOD N°
Designed By:		Date:	CUSTOMER DRAWING
TITLE	Aluminium Inline plug 8D series		
SCALE		General linear Tolerances: ±--	NPRDS / PROJECT 859
NA	SOURIAU WWW.SOURIAU.COM		This document is the property of SOURIAU it must not be reproduced or communicated without permission
FORMAT	A3		SOURIAU DRG N° 8D111W02AN-C SHEET 1/2

BASIC SERIES:	8D	1	-	11	W	02	A	N	ORIENTATION : N
SHELL TYPE :	In line Receptacle								CONTACT TYPE : PIN(500 Matings)
CONTACT TYPE :	Standard Crimp Contact								CONTACT LAYOUT : 11-02
SHELL SIZE :	11								
PLATING :	W = Olive drab Cadmium								

H G F E D C B A

Contact Layout



Contacts (Insert arrangement 11-2)		
Contact position ID	Contact location	
	X-axis (mm)	Y-axis (mm)
A	+0.095 (2.41)	+0.000 (.00)
B	-0.095 (2.41)	+0.000 (.00)

Shell size	Arrangement no.	Number of contacts	Size contacts	Service rating	Contact location
11	-2	2	16	I	All

4

3

2

1

4

3

2

1

SOURIAU shall not be liable for any non-conformity or damage due to a use of the Products which does not comply with the Specifications issued by either of the Parties or by a third party (professional recommendation, technical notice.)

Country	Jurisdiction & Control List
FR	Not Listed

PN: 8D111W02AN

A	26-09-2016	First Release	
ISS	DATE	Latest modification - by	MOD N°
Designed By:		Date:	CUSTOMER DRAWING
TITLE	Aluminium Inline plug 8D series		
SCALE		General linear Tolerances: ±--	NPRDS / PROJECT 859
SOURIAU	WWW.SOURIAU.COM		This document is the property of SOURIAU it must not be reproduced or communicated without permission
FORMAT	SOURIAU DRG N° 8D111W02AN-C		SHEET 2/2

H G F E D C B A