

NOTES:

1. MATERIALS AND FINISH:

BODY - BERYLLIUM COPPER, GOLD PLATING
 CONTACT - BERYLLIUM COPPER, GOLD PLATING
 INSULATOR - PTFE

2. ELECTRICAL:

- A. IMPEDANCE: 50 OHM
- B. FREQUENCY RANGE: DC-18 GHz
- C. VSWR: 1.25 MAX. @ DC - 18GHz
- D. DIELECTRIC WITHSTANDING VOLTAGE: 500 VRMS. MIN.

3. MECHANICAL:

- A. DURABILITY:
 SMA SIDE: 500 CYCLES MIN.
 SMP SIDE: 100 CYCLES MIN.
- B. TEMPERATURE RANGE: -65°C TO +165°C

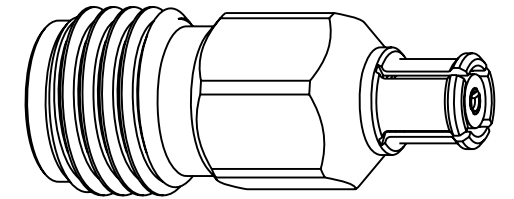
3. PACKAGING:

- A. PACKAGE CONNECTOR AS PER ROUTING INSTRUCTIONS.

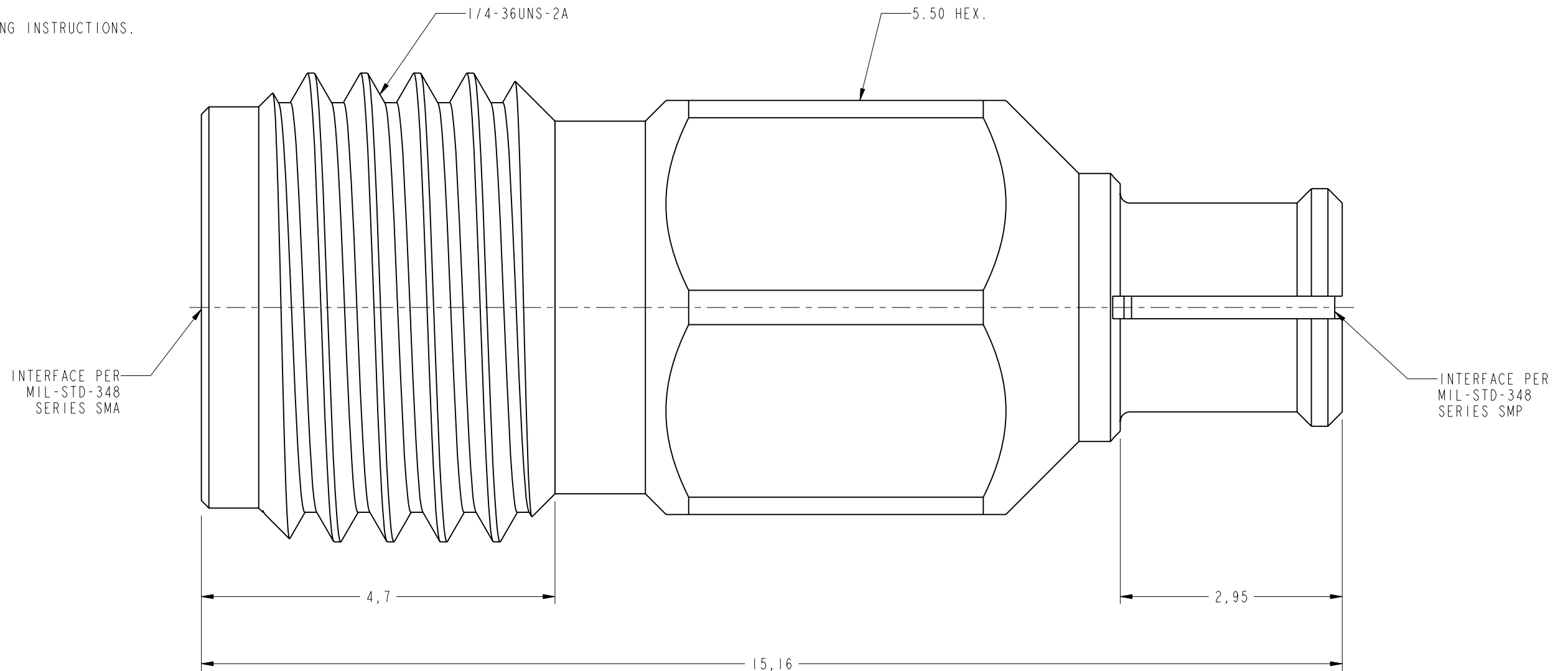
THIRD ANGLE PROJ.

REVISIONS

REV	DESCRIPTION	DATE	ECO	APPR
A	RELEASE TO MFG.	06-Nov-15	50844	MD



SCALE 4.000



CUSTOMER OUTLINE DRAWING

ALL OTHER SHEETS ARE FOR INTERNAL USE ONLY

UNLESS OTHERWISE SPECIFIED, DIMENSIONS ARE IN METRIC AND TOLERANCES ARE:
 <0.5mm ±0.05mm 0.5 - 6mm ±0.1mm 6 - 30mm ±0.2mm 30 - 120mm ±0.3mm ANGLES ±1°

NOTICE - These drawings, specifications, or other data (1) are, and remain the property of Amphenol corp. (2) must be returned upon request; and (3) are confidential and not to be disclosed to any person other than those to whom they are given by Amphenol Corp. the furnishing of these drawings, specifications, or other data by Amphenol Corp., or to any other person to anyone for any purpose is not to be regarded by implication or otherwise in any manner licensing, granting rights to permitting such holder or any other person to manufacture, use or sell any product, process or design, patented or otherwise, that may in any way be related to or disclosed by said drawings, specifications, or other data.

MATERIAL	DRAWN	DATE	TITLE		Amphenol RF www.amphenolrf.com	
	M. DONG	28-Oct-15				
REFERENCE	ENGINEER	DATE	SMA JACK TO SMP PLUG ADAPTER			DRAWING NO. SMAF-SMPF2-3GT5GP-50
	EAR#6558 AND AD-SMAJSMPP-1	H. HE				06-Nov-15
CONFIGURATION LEVEL: In Work	APPROVED	DATE	SCALE: 16.0:1.0	SHEET 2 OF 2	PART NO. AD-SMAJSMPP-1	
	S. HSIEH	17-Nov-15	DWG SIZE B	REV A		
FINISH	CAD FILE					