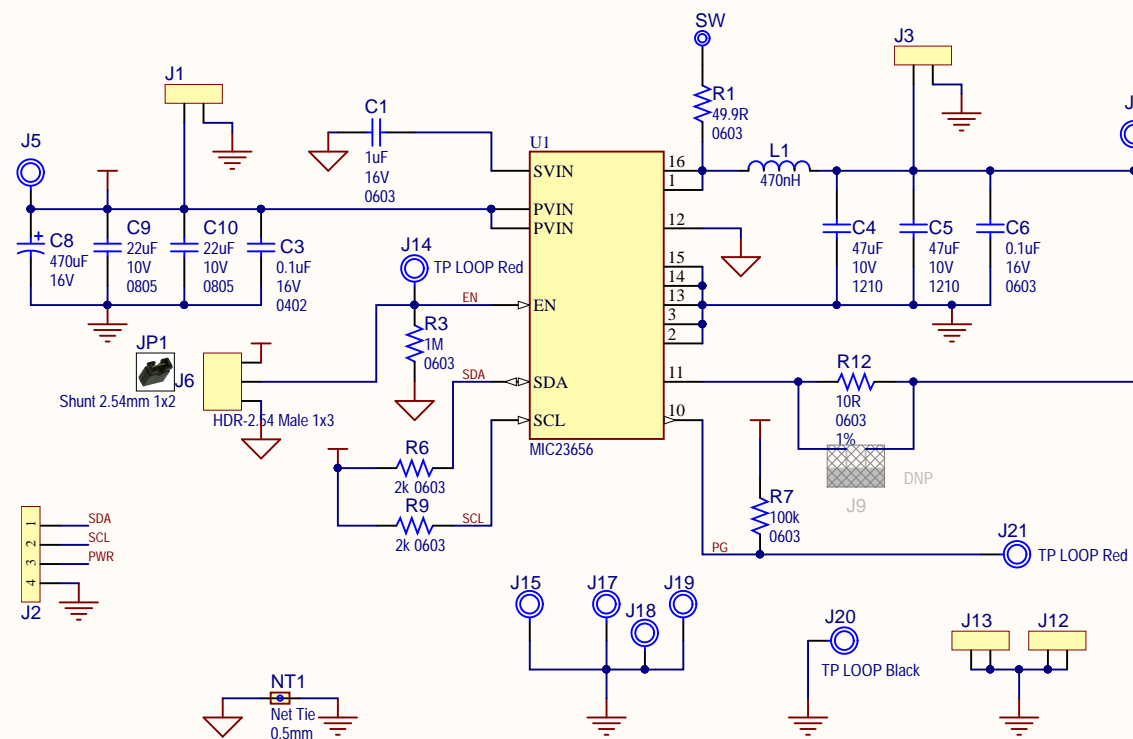
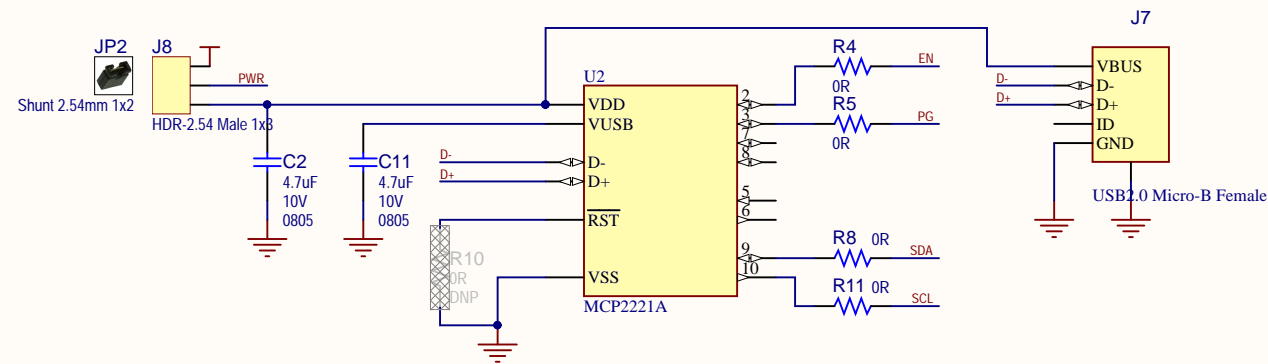


REV	ECO#	DESCRIPTION	DATE



- PAD1 Rubber Pad Cyl D7.9H5.3
- PAD2 Rubber Pad Cyl D7.9H5.3
- PAD3 Rubber Pad Cyl D7.9H5.3
- PAD4 Rubber Pad Cyl D7.9H5.3

LABEL1
02- -R1
 LABEL Need Help Small

Drawn By: Alexandru Stoica		
Engineer: Alexandru Stoica		
PartNumber: ADM00886	Project Title MIC23656 6A synch buck regulator eval bd	
Sheet Title Top Sheet		
Size B	Sch #:03-10746	Date: 9/18/2018 4:15:00 PM
Revision:1	Sheet 1 of 1	
File: Mechanical.SchDoc		 Altium.com