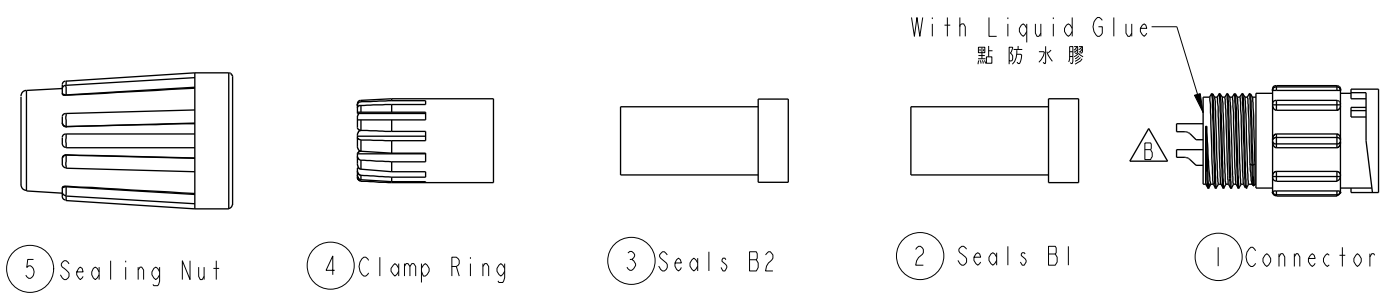


THIS DOCUMENT IS SUBJECT TO CHANGE WITHOUT NOTICE. IT IS CONFIDENTIAL AND A PROPERTY OF AMPHENOL LTW. DISCLOSURE TO THIRD PARTY HAS TO BE AUTHORIZED BY AMPHENOL LTW.

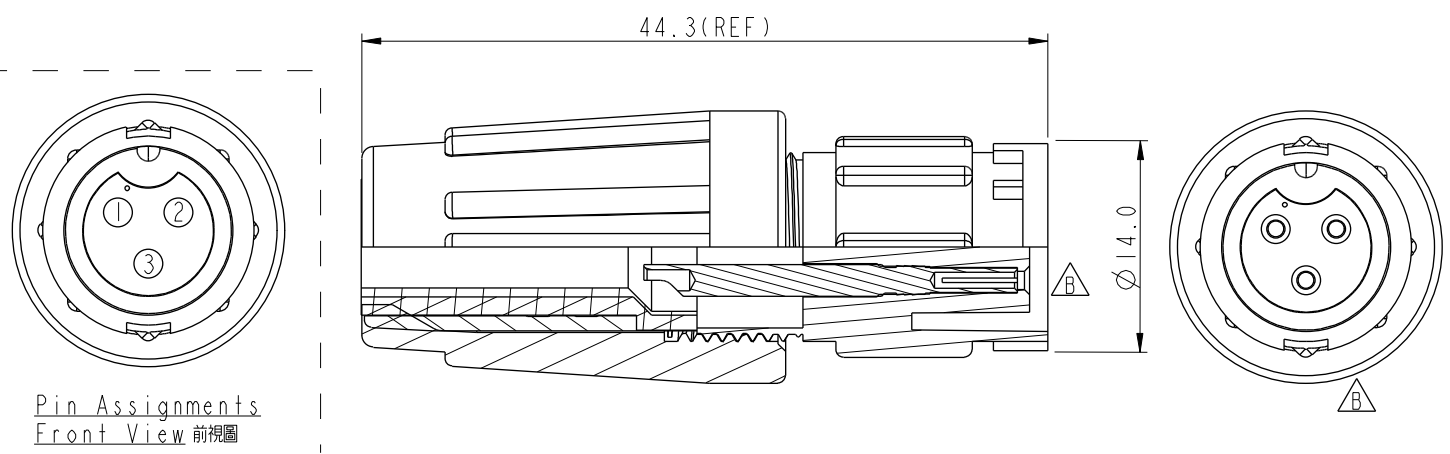
REV.	ECN NO.	DATE	SIGN	DESCRIPTION
B	LEN-050040	2009/11/13	Li Xiu Zhi	Change View



ALTW
 DCC. DEPT.
 CONFIDENTIAL
 2012-03-26
ISSUED

ALTW
 CONFIDENTIAL
 2012-03-15
 R&D DEPT.

- Note:
- * \varnothing Important Dimension.
 - * Waterproof Rate : IP66
 - * Housing: Nylon+GF, Black
 - * Female Pin: Copper Alloy, Gold Plated
 - * Seals: EPDM, Black
 - * Clamping Ring: Nylon, Black
 - * Sealing Nut: Nylon, Black
 - * Seals B1 for Cable OD: $\varnothing 4.5\text{mm} \sim \varnothing 6.5\text{mm}$
(防水墊圈B1線徑: $\varnothing 4.5\text{mm} \sim \varnothing 6.5\text{mm}$)
 - * Seals B2 for Cable OD: $\varnothing 3.5\text{mm} \sim \varnothing 5.3\text{mm}$
(防水墊圈B2線徑: $\varnothing 3.5\text{mm} \sim \varnothing 5.3\text{mm}$)
 - * One Set Unassembled in One PE Bag
(每一組未組裝, 放置於一個PE袋, 並封口)
 - * PE Bag: 90mm*85mm



UNIT: mm		
TOLERANCE		
.X	± 0.25	
.XX	± 0.1	
.XXX	± 0.05	
ANGLES	$\pm 1^\circ$	

TITLE Standard, Assy Lock 3Pin M Conn F Pin			
SCALE 1:1	SIZE A4	SHEET 1 OF 1	
REV. B	WC-REV. A.2	\varnothing : Inspection item	

Amphenol LTW
 安費諾亮泰企業股份有限公司

ITEM NO. BD-03BMFA-LL6001	DRAWN BY SamChang	DATE 2012-03-15
DWG NO. BD-03BMFA-LL6001	CHECKED BY Jeffrey	DATE 2012-03-26
CUSTOMER ALTW	APPROVED BY Kevin	DATE 2012-03-26