

CM4732V301R-10

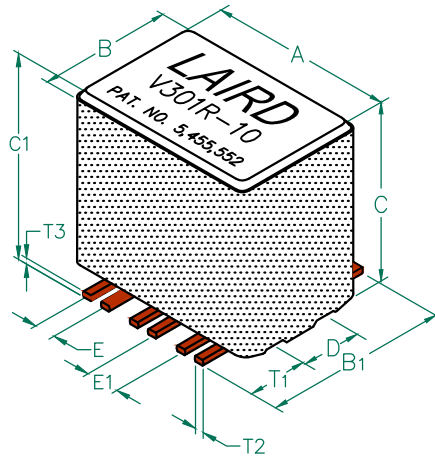
RoHS

PHYSICAL DIMENSIONS:

A	11.94 [.470]	+ 0.18 [.007]
B	8.13 [.320]	+ 0.13 [.005]
B ₁	10.92 [.430]	MAX
C	14.48 [.570]	+ 0.25 [.010]
C ₁	15.11 [.595]	MAX
D	4.06 [.160]	+ 0.05 [.002]
E	1.27 [.050]	+ 0.13 [.005]
E ₁	2.03 [.080]	+ 0.13 [.005]

WIRE DIMENSIONS:

T ₁	3.30 [.130]	+ 0.38 [.015]
T ₂	0.64 [.025]	TYP
T ₃	0.38 [.015]	TYP

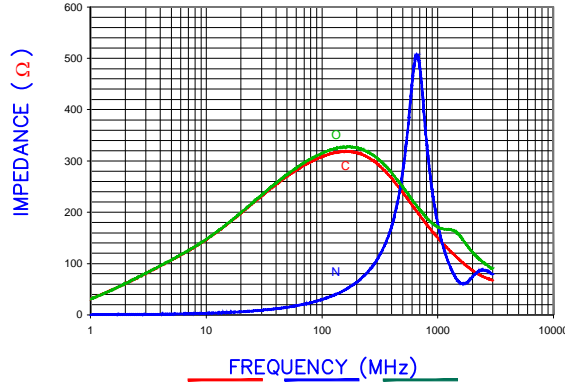


ELECTRICAL CHARACTERISTICS:			
Z @ 100MHz (Ω)	DCR (Ω)	Rated Current	Rated Voltage (VDC)
Nominal	300		
Minimum	225		
Maximum	375	0.01	8,000 mA
			30

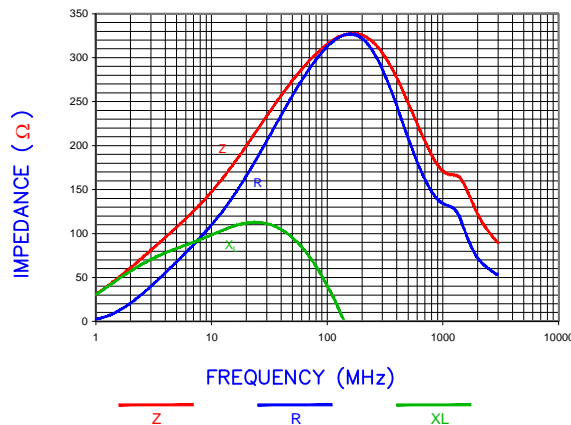
NOTES: UNLESS OTHERWISE SPECIFIED

1. TAPED AND REELED per CURRENT EIA SPECIFICATIONS 13" REELS, 150 PCS/REEL.
2. COMPONENTS SHOULD BE ADEQUATELY PREHEATED BEFORE SOLDERING.
3. REF. CARRIER TAPE SPECIFICATION #CART4732-33.
4. TERMINATION FINISH IS 100% TIN.
5. THIS PART HAS NO PIN POLARITY.
6. OPERATION TEMPERATURE (INCLUDING SELF-HEATING): -40 ~ +125°C.

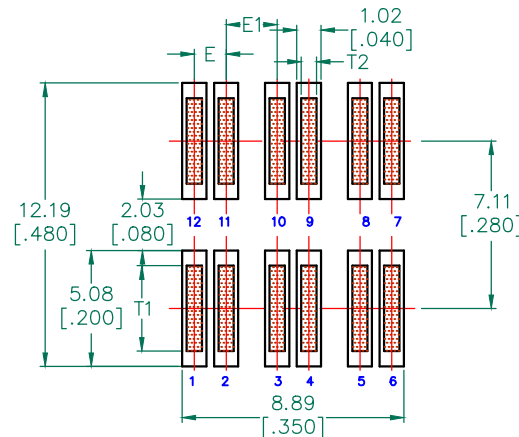
Z vs. FREQUENCY (C,O,N)



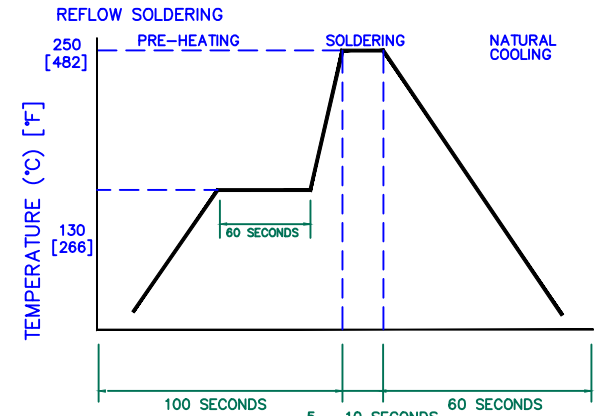
Z, R, XL vs. FREQUENCY



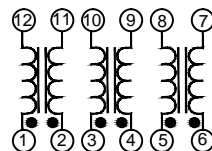
LAND PATTERNS FOR REFLOW SOLDERING



RECOMMENDED SOLDERING CONDITIONS



EQUIVALENT CIRCUIT

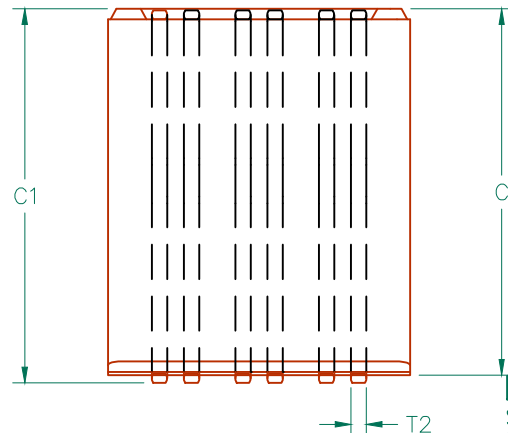
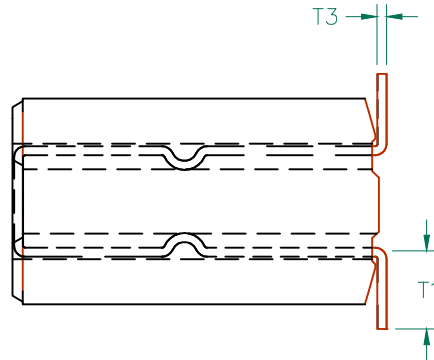
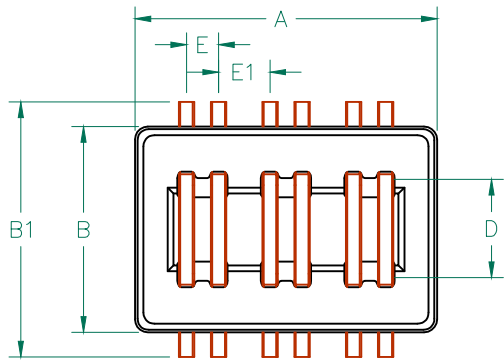


DIMENSIONS ARE IN mm (INCHES).

This print is the property of Laird Tech. and is loaned in confidence subject to return upon request and with the understanding that no copies shall be made without the written consent of Laird Tech. All rights to design or invention are reserved.



REV	DESCRIPTION	DATE	INT	PROJECT/PART NUMBER:	REV	PART TYPE:	DRAWN BY:
D	ADD NOTE 6	08/30/12	QIU	CM4732V301R-10	D	ASSEMBLY	JRK
C	UPDATE COMPANY LOGO AND KAPTON LABEL ADD EQUIV. CIRCUIT	11/11/08	JRK		DATE: 06/03/04	SCALE: NTS	SHEET: 1 of 2
B	UPDATE COMPANY LOGO	12/12/07	JRK		CAD #		
A	ORIGINAL DRAFT	06/03/04	JRK		TOOL #		
REV	DESCRIPTION	DATE	INT	CM4732V301R-10-D-1	H0470-3		



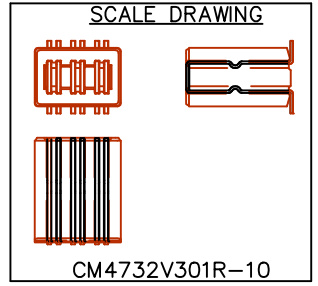
$\sqrt[0.10]{.004}$
SEATING PLANE
(CO-PLANARITY)

DIMENSIONS:

A	11.94 [.470]	+	0.18 [.007]
B	8.13 [.320]	+	0.13 [.005]
B1	10.92 [.430]		MAX
C	14.48 [.570]	+	0.25 [.010]
C1	15.11 [.595]		MAX
D	4.06 [.160]	+	0.05 [.002]
E	1.27 [.050]	+	0.13 [.005]
E1	2.03 [.080]	+	0.13 [.005]
WIRE DIMENSIONS:			
T1	3.30 [.130]	+	0.38 [.015]
T2	0.64 [.025]		TYP.
T3	0.38 [.015]		TYP.

LAIRD
V301R-10
PAT. NO. 5,455,552

LABEL



ELECTRICAL TESTING

TEST:	GROSS	GROSS
# TURNS	1	1
AWG	22	22
FREQUENCY	25 MHz	100 MHz
NOMINAL	169 Ω	300 Ω
MINIMUM	- Ω	225 Ω
MAXIMUM	- Ω	375 Ω
WEIGHT/1000	5.99 kgs.	13.2 lbs.

NOTES: UNLESS OTHERWISE SPECIFIED

1. WIRE: REFERENCE STEWARD WIRE PURCHASE SPEC. W0032-31.
2. IMPEDANCE VALUES ARE GROSS, MEASURED USING W0032-31 WIRE PLACED AGAINST END OF SLOT w/ NO D.C. BIAS.
3. REFERENCE STEWARD CORE P/N 24H0470-300.
4. PROTECTED BY U.S. PATENT NO. 5,455,552.
5. TERMINATION FINISH IS 100% TIN.
6. THIS PART HAS NO PIN POLARITY.

DIMENSIONS ARE IN mm (INCHES).				This print is the property of Laird Tech. and is loaned in confidence subject to return upon request and with the understanding that no copies shall be made without the written consent of Laird Tech. All rights to design or invention are reserved.			Laird™	
D	ADD NOTE 6	08/30/12	QIU	PROJECT/PART NUMBER:		REV	PART TYPE:	DRAWN BY:
C	UPDATE COMPANY LOGO AND KAPTON LABEL ADD EQUIV. CIRCUIT	11/11/08	JRK	CM4732V301R-10		D	ASSEMBLY	JRK
B	UPDATE COMPANY LOGO	12/12/07	JRK	DATE:	06/03/04	SCALE:	NTS	SHEET:
A	ORIGINAL DRAFT	06/03/04	JRK	CAD #		TOOL #		2 of 2
REV	DESCRIPTION	DATE	INT	CM4732V301R-10-D-2		H0470-3		