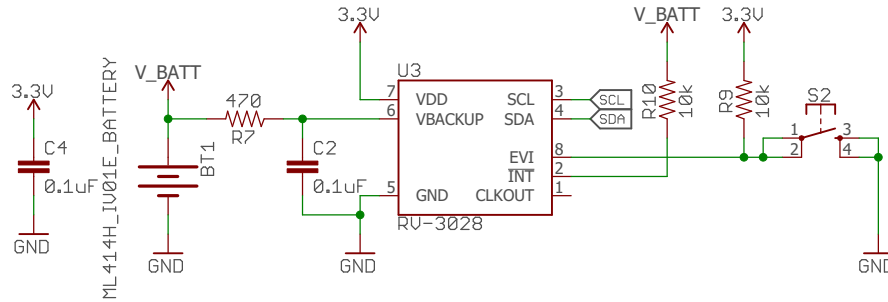
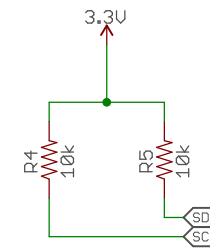


RTC Module

Operating voltage: 1.5-3.6 V
7-bit Unshifted I2C Address: 0xA4

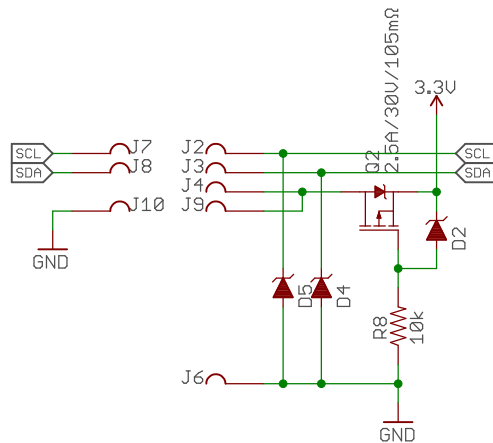


I2C Pull-up



Communication

Input Voltage Range: 1.5-3.6 V



Released under the Creative Commons Attribution Share-Alike 4.0 License
<https://creativecommons.org/licenses/by-sa/4.0/>

TITLE: Gator_rtc

Design by: A. England

REV:
v10

Date: 8/28/2019 12:19 PM

Sheet: 1/1