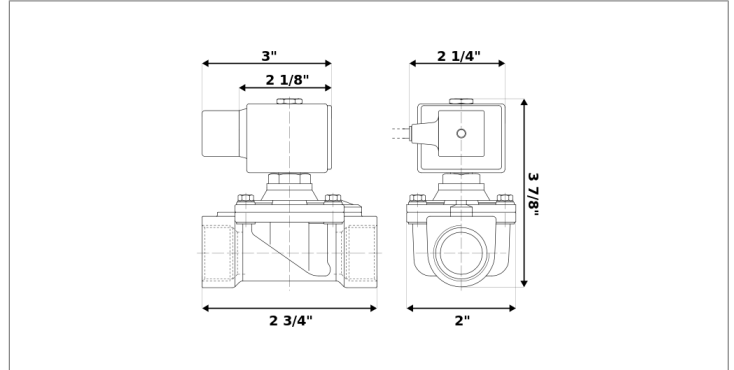


## DKSV143

Normally closed, direct lift, 2-way solenoid valve with brass body and 1/2" connections



| Valve                |                                       |
|----------------------|---------------------------------------|
| Pipe size:           | 1/2" NPT                              |
| Operating pressure:  | 0–200 psi                             |
| Flow coefficient:    | 2.8 Cv                                |
| Media temperature:   | 15–195 °F                             |
| Ambient temperature: | -5–140 °F                             |
| Suggested usage:     | Air, inert gas, water                 |
| Operation:           | 2-way, normally closed solenoid valve |
| Mechanism:           | Direct lift                           |
| Manual override:     | No                                    |
| Pipe gender:         | Female                                |
| Orifice size:        | 5/8"                                  |
| Design pressure:     | 230 psi                               |
| Vacuum rating:       | 0.001 Torr                            |
| Media viscosity:     | 12 cSt                                |

| Materials     |                                  |
|---------------|----------------------------------|
| Body:         | Brass                            |
| Seal:         | Buna-N/polyamide rubber (NBR/PA) |
| Orifice:      | Brass                            |
| Core tube:    | Stainless steel 300              |
| Fixed core:   | Stainless steel 400              |
| Plunger:      | Stainless steel 400              |
| Spring:       | Stainless steel 300              |
| Shading ring: | Copper                           |

| Electrical           |                     |
|----------------------|---------------------|
| Power:               | 24 V dc             |
| Wattage:             | 14 W                |
| Connection:          | 6 ft. power cord    |
| Consumption:         | 0.58 A              |
| Voltage tolerances:  | +10% -5%            |
| Coil inner diameter: | 1/2"                |
| Coil molding:        | Polyethylene (PET)  |
| Coil rating:         | -5–355 °F (Class H) |
| Duty cycle:          | Continuous, 100% ED |
| Enclosure:           | NEMA 4, IP65        |

| Spare parts   |  |   |
|---|--|---|
| CORE TUBE   | REPAIR KIT   | COIL/CONNECTOR  |
| AT-H091   | RK-H0Y2  | C-H22   |
|  |             |                |
| <ul style="list-style-type: none"> <li>Core tube</li> </ul>                         | <ul style="list-style-type: none"> <li>O-ring</li> <li>Plunger and diaphragm assembly</li> </ul> | <ul style="list-style-type: none"> <li>24 V dc electrical coil</li> <li>6 ft. power cord</li> </ul> |