

6

5

4

3

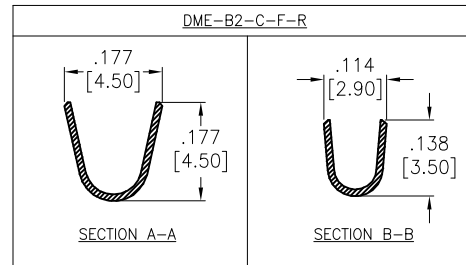
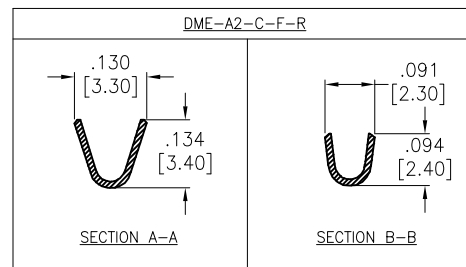
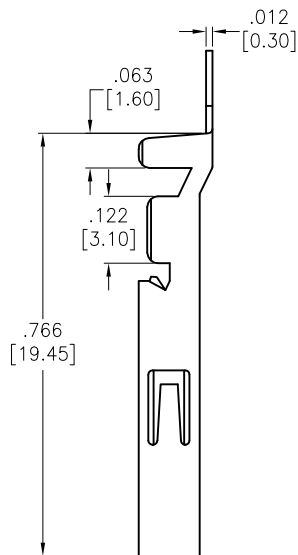
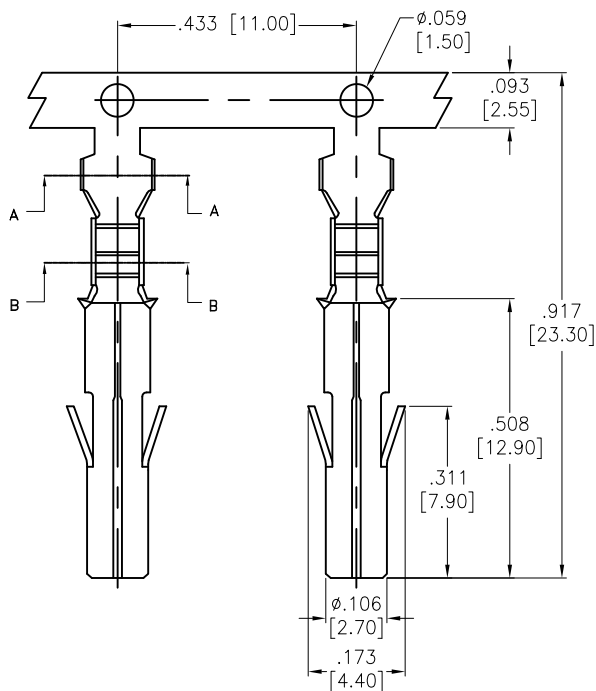
2

1

APPROVED: \_\_\_\_\_

DATE: \_\_\_\_\_ TITLE: \_\_\_\_\_

Rev	AWO #	Description	Date	Appr
-		RELEASED	6/20/19	



SPECIFICATIONS:

Material:  
Contacts: Brass, Tin Plated, Thickness: 0.3mm  
Electrical:

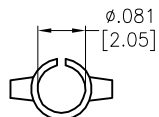
Voltage rating: 600 VAC/DC  
Current rating: 2~5 Circuit 12 A AC/DC  
6~15 Circuit 9 A AC/DC

Contact resistance: 20 mohms max  
Insulation resistance: 1,000 Mohms min  
Dielectric withstanding voltage: 2900 VAC For 1 Minute

Mechanical:  
Wire: A: AWG# 18~22  
B: AWG# 16~20

Temperature Rating:  
-40°C to +105°C

Environmental:  
Lead free, RoHS compliant



UNLESS OTHERWISE SPECIFIED ALL DIMENSIONS ARE INCHES [MM] TOLERANCES: EXCEPT AS NOTED		<b>ADAM TECH</b> 909 Rahway Avenue, Union, NJ 07083 Phone: 908-687-5000 Fax: 908-687-5710	
INCHES		HOLES	
.X ± .10	∅.X ± .10		
.XX ± .020	∅.XX ± .015		
.XXX ± .015	∅.XXX ± .010		
APPROVALS		DATE	
DRAWN	LH	6/20/19	
CHECKED	TY	6/20/19	
APPROVED			
TITLE: CRIMP CONTACT, DME SERIES TIN PLATED			
SIZE	PART NO.	REV.	
X	DME-X2-C-F-R	-	
REF:	S00124T	SCALE:	NTS
		SHEET 1 OF 1	

6

5

4

3

2

1