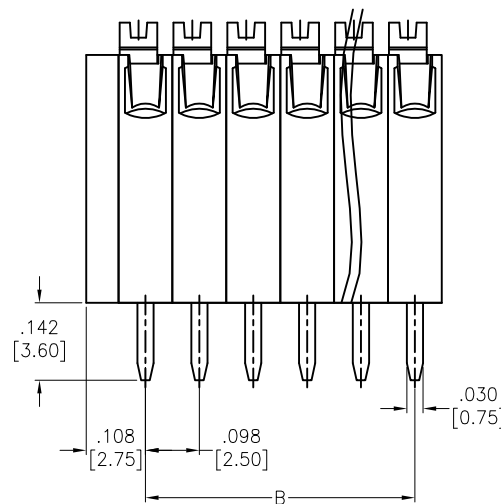
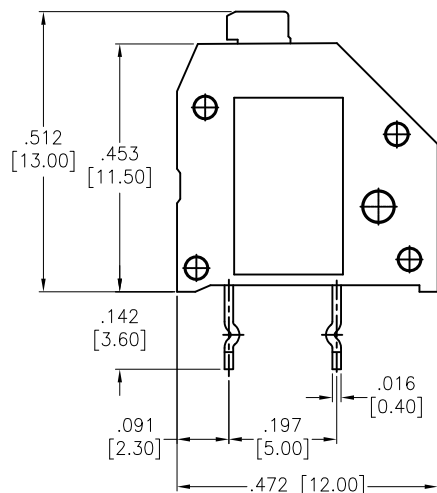
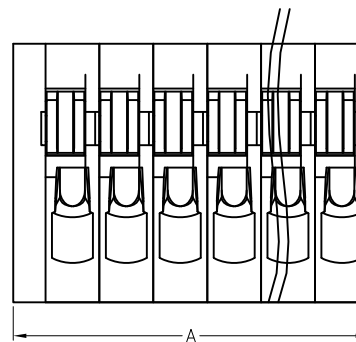
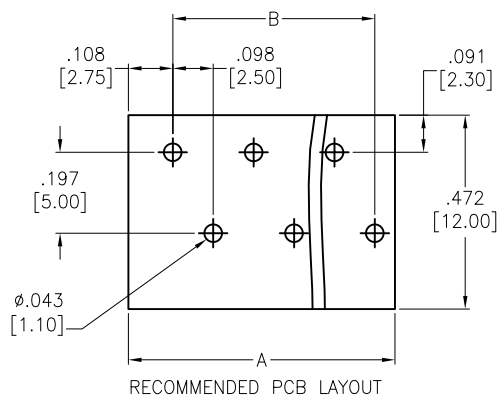


APPROVED: _____

DATE: _____ TITLE: _____

Rev	AWO #	Description	Date	Appr
-		RELEASED	7/6/16	
A		UPDATE DRAWING	8/31/20	AY/KC



Positions: 01 thru 30

A = .098 [2.50] x No. of Positions + .059 [1.50]

B = .098 [2.50] x No. of Space

SPECIFICATIONS:

Material:
 Insulator: PA66, rated UL 94V-0
 Insulator color: Grey
 Contact: Copper Alloy, Tin plated
 Electrical:
 Voltage rating: 300V
 Current rating: 4A
 Dielectric withstanding voltage: 1600V for 1 minute
 Mechanical:
 Wire range: 28~20 AWG
 Strip length: 8.5-9.5 mm
 Temperature Rating:
 Operating temperature: -40°C to +105°C
 Environmental:
 Lead free, RoHS compliant.



UNLESS OTHERWISE SPECIFIED ALL DIMENSIONS ARE INCHES [MM] TOLERANCES: EXCEPT AS NOTED INCHES HOLES .X ± .10 Ø.X ± .10 .XX ± .020 Ø.XX ± .015 .XXX ± .015 Ø.XXX ± .010		ADAM TECH INTERCONNECTS		909 Rahway Avenue, Union, NJ 07083 Phone: 908-687-5000 Fax: 908-687-5710	
APPROVALS		DATE		TITLE	
DRAWN	AY	7/6/16		EURO BLOCK, .098 [2.50] PITCH, WITH END COVER	
CHECKED	YC	7/6/16		DOUBLE ROW CENTER CONTACT LINK	
APPROVED		SIZE	PART NO.	REV.	
		X	EB59A-XX-V	A	
REF: S00067C		SCALE: NTS	SHEET 1 OF 1		