



FEATURE HIGHLIGHTS

Technology

- 10/100BaseT(X) (RJ45)
- Broadcast storm protection
- Support IEEE 802.3/ 802.3u/ 802.3x
- 10/100M, Full/Half-Duplex, MDI/MDI-X auto-detection

Reliability

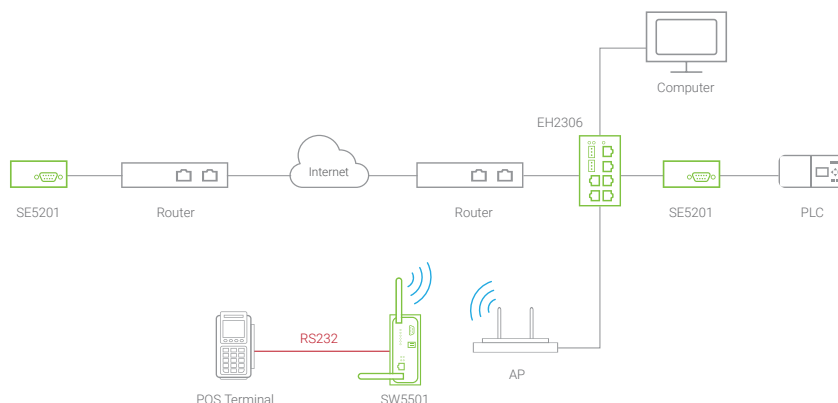
- Redundant dual DC power inputs
- Operating temperature ranges from -10~70°C
- Rugged high-strength housing
- DIN-Rail or wall mounting ability

PRODUCT DESCRIPTION

The EH2306 with 6 RJ-45 ports has a metal housing and is designed to work in the industrial environment, such as in hazardous locations that comply with CE, FCC, UL and RoHS standards.

The EH2306 protects itself from receiving too many broadcast packets. During normal use, broadcast packets will be forwarded to all ports except the source port. However, it will discard broadcast or multicast packets if the number of those packets exceeds a threshold in a preset period of time. When the preset period expires (about 800ms), it will then resume receiving broadcast or multicast packets until the threshold is reached again.

The EH2306 provides two redundant power inputs that can be connected simultaneously to wide-range DC power sources. If one of the power inputs failure, the other live source acts as a backup to provide the EH2306 the power it needs automatically.

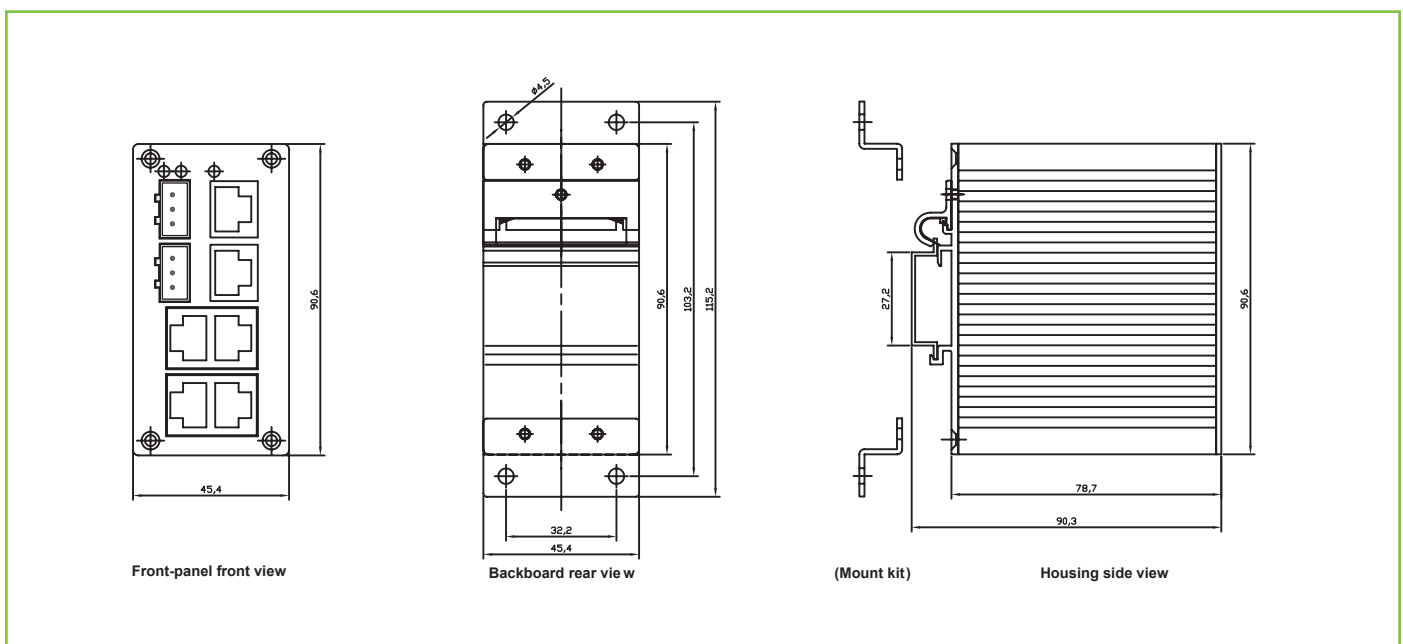


SPECIFICATIONS

Technical Specifications

Model Name	EH2306
Ethernet	
Transmission Rate	10/100Mbps
Port	6
10/100Mbps	6
Connector	RJ-45 x 6
Auto MDI/MDI-X	Yes
Power	
Input	DC 9 ~ 30V
Connector	Dual 3-pin 5.08mm pitch Terminal block
Consumption	5.4Watts Max
Environment	
Operating	-10°C ~ 70°C (14°F ~ 158°F)
Storage	-40°C ~ 85°C (-40°F ~ 185°F),5%~95% RH
Notes: For UL policy the maximum operating temperature is 50°C, and the human body can tolerate maximum temperature is 70°C.	
Dimension	
W x H x D	45.2mm x 90mm x 78mm

DIMENSIONS & LAYOUT



ORDERING INFORMATION

Ordering information

Model name	Part Number	Enclosure
EH2306	1P1EH230600001G	Industrial 6-port Unmanaged Fast Ethernet Switch with 6x 10/100TX

Optional Accessories

Power Adapter	UN315-1212 (US-Y) : Y-Type power adapter, 100~240VAC input, 1.25A @ 12VDC output, US plug, LV6
	UNE315-1212 (EU-Y) : Y-Type power adapter, 100~240VAC input, 1.25A @ 12VDC output, EU plug, LV6

REGULATORY APPROVALS

Regulatory Approvals

Safety	UL 60950-1 /CSA C22.2 No.60950-1-03 / LVD EN62368-1			
EMC	FCC Part 15, Subpart B, Class A EN 55032, EN 55024, EN 61000-3-2, EN 61000-3-3, EN61000-6-2 , EN61000-6-4			
Test	Item	Value	Level	
IEC 61000-4-2	ESD	Contact Discharge	±4KV	2
		Air Discharge	±8KV	3
IEC 61000-4-3	RS	80-1000MHz	10(V/m)	3
		1.4-2.0GHz	3(V/m)	2
		2.0-2.7GHz	1(V/m)	1
IEC 61000-4-4	EFT	AC Power Port	±2.0kV	3
		Signal Port	±1.0kV	3
IEC 61000-4-5	Surge	AC Power Port	Line-to Line±1.0kV	3
		AC Power Port	Line-to Earth±2.0kV	3
		DC Power Port	Line-to Line±0.5kV	2
		Signal Port	Line-to Earth±1.0kV	2
IEC 61000-4-6	CS	0.15-80MHz	10V rms	3
IEC 61000-4-8	PFMF	Enclosure	30 V/m	4
IEC 61000-4-11	DIP	AC Power Port	-	A
Shock Freefall Vibration	IEC 60068-2-27 IEC 60068-2-32 IEC 60068-2-64			
RoHS II	Yes			
MTBF	20 Years			