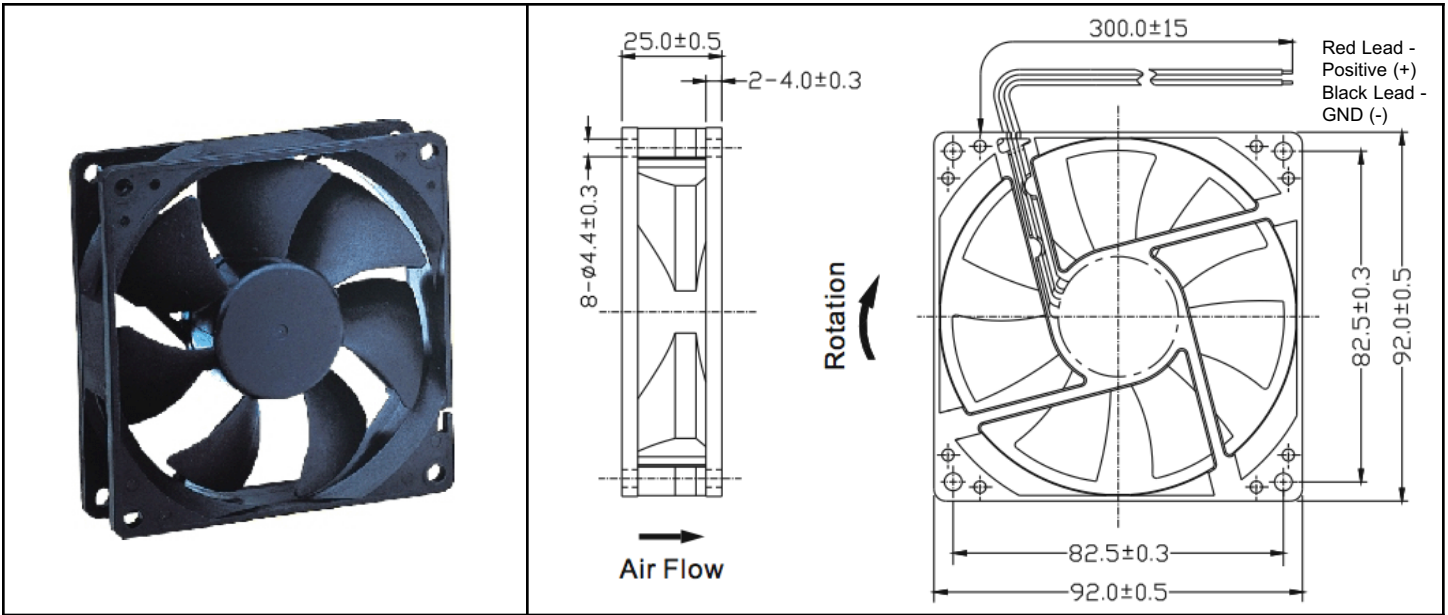


OD9225-60HB



60V DC Fan
92x25mm (3.6"x 1.0")



| | | | |
|-----------------------|---|--|--|
| Frame & Impeller | PBT, UL94V-O plastic | Available Options: Tachometer (Frequency Generator) Alarm (Rotation Detector) Life Expectancy (L10) Ball - 50,000 hrs (25C) Operating Temperature Ball: -10 ~ 70C | |
| Connection | 2x Lead wires (~300mm) | | |
| Motor | Brushless DC, auto restart, polarity protected | | |
| Bearing System | Ball bearing | | |
| Insulation Resistance | 10M ohm between leadwire and frame (500VDC) | | |
| Dielectric Strength | 1 second at 500 VAC, max leakage < 500 MicroAmp | | |

| | |
|----------------------|------------------------------|
| Model Number | OD9225-60HB |
| Part Number | 193741004 |
| Nominal Voltage | 60 VDC |
| Voltage Range | 36 ~ 72 VDC |
| Nominal Current | 0.20 A (0.05 A locked rotor) |
| Rated Power | 12 W |
| Rated Speed (RPM) | 3200 |
| Airflow (CFM) | 69 |
| Noise Level (dB) | 39 |
| Max. Static Pressure | 0.22" H ₂ O |