

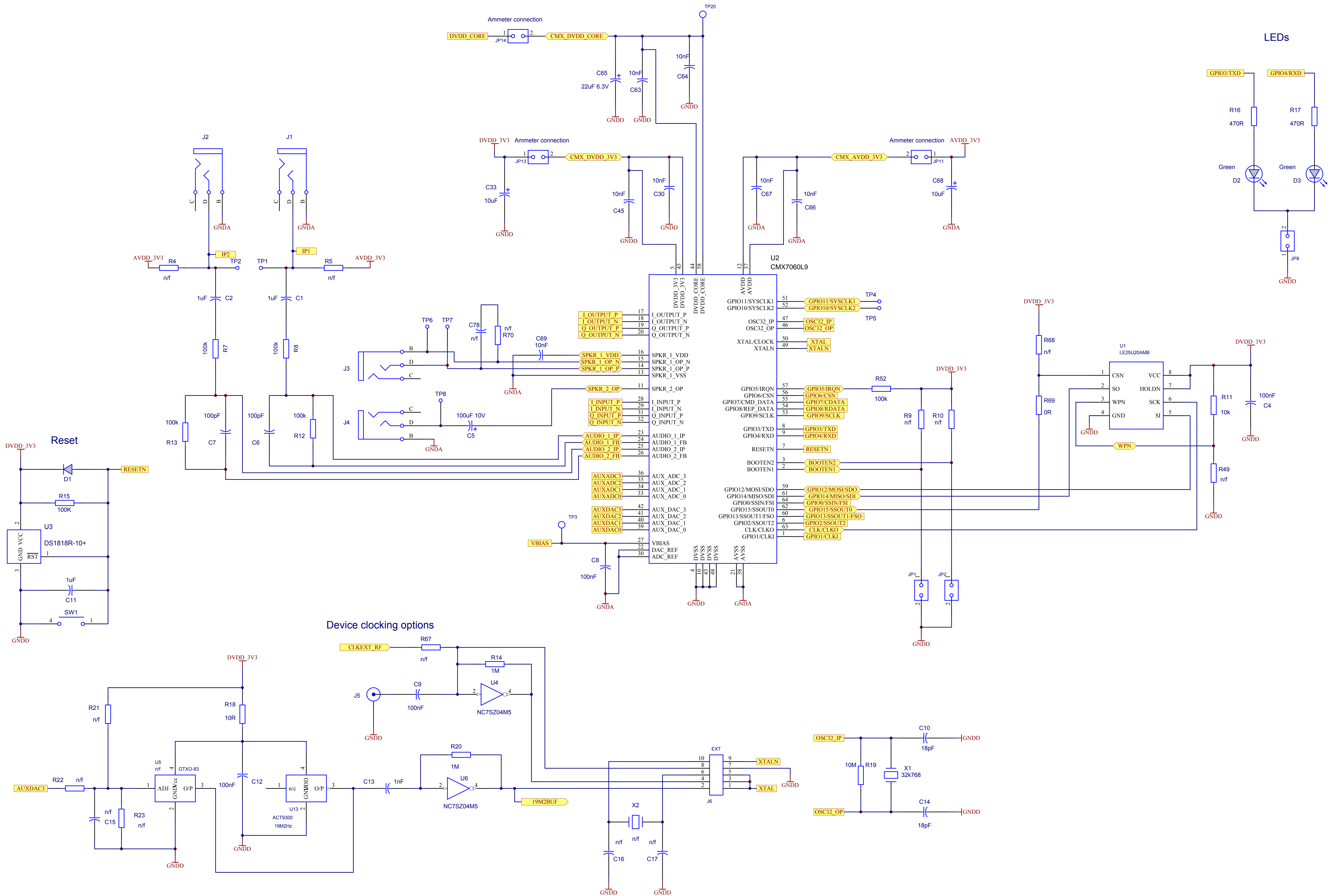
CML Microcircuits

COMMUNICATION SEMICONDUCTORS

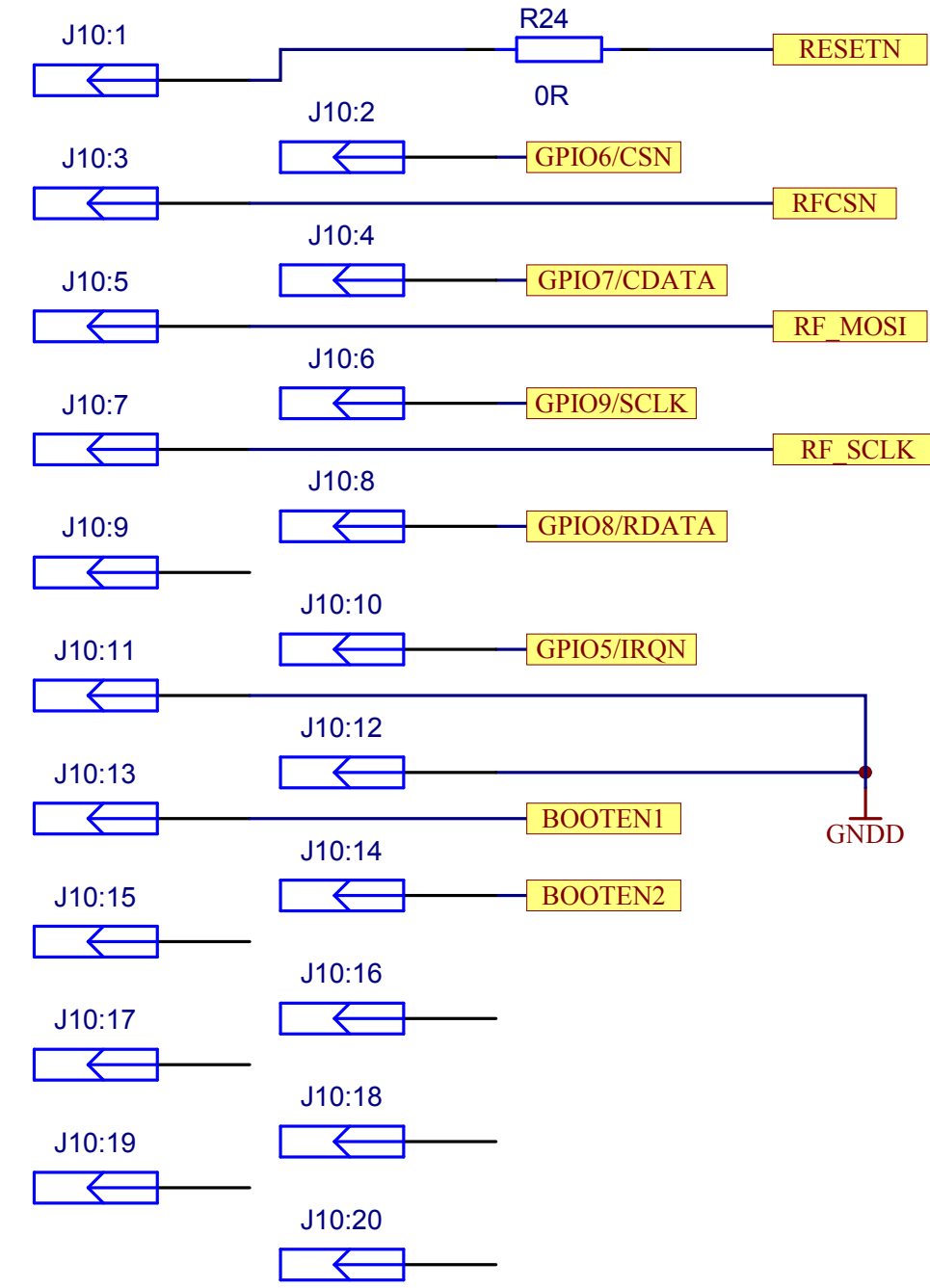
High Resolution Circuit Diagrams for

PE0601-7163,7164

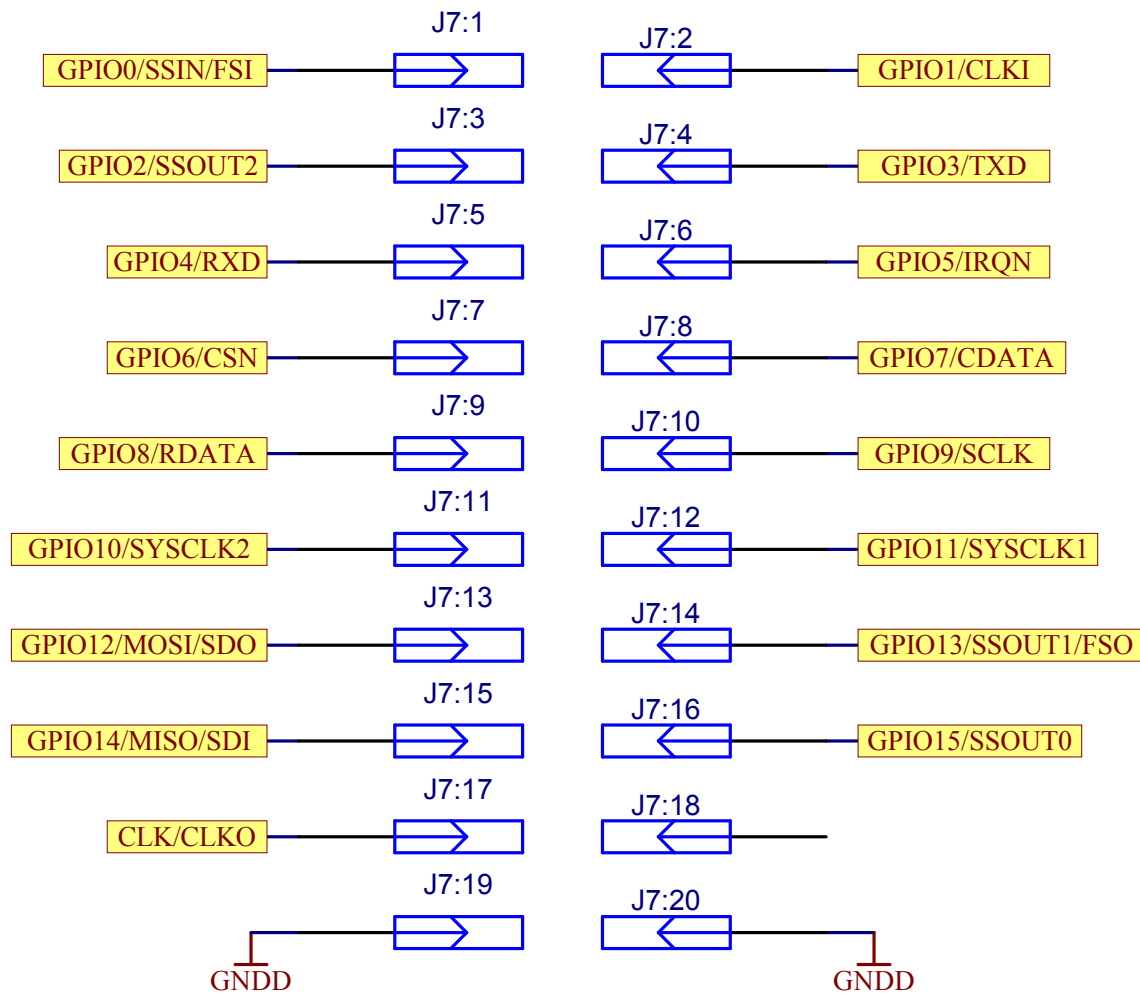
May 2018



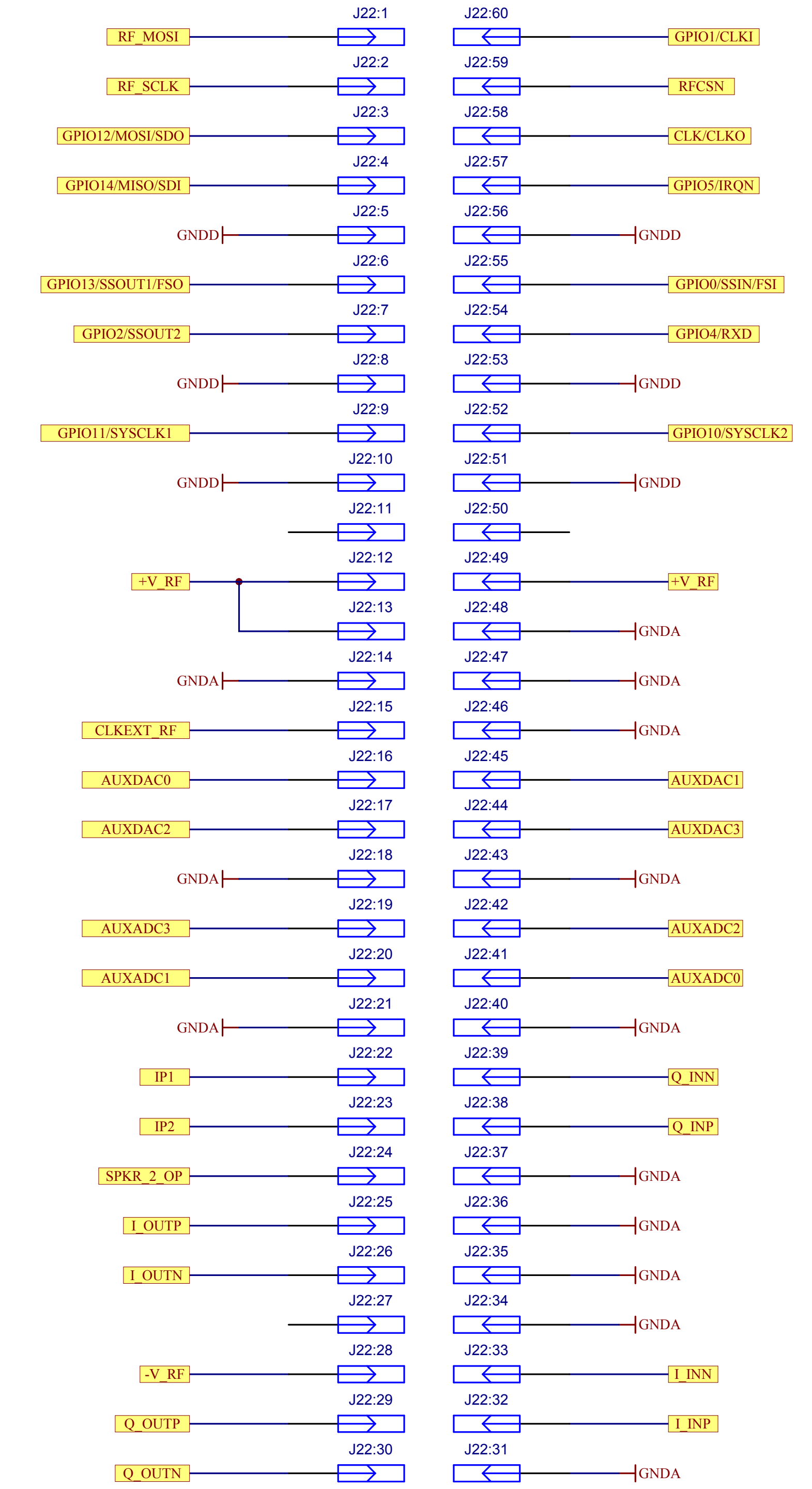
PE0002 Connector (C-BUS Slave)



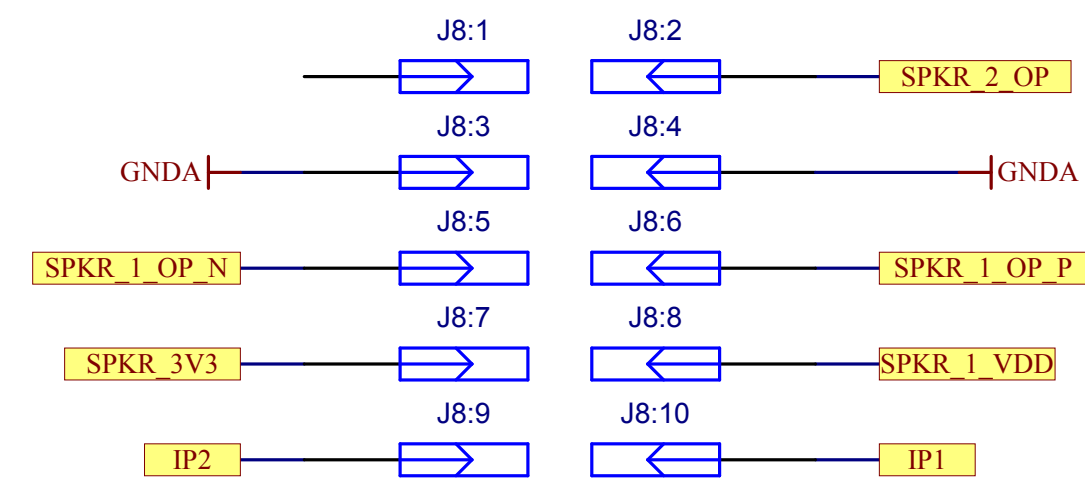
GPIO/SSP Connector



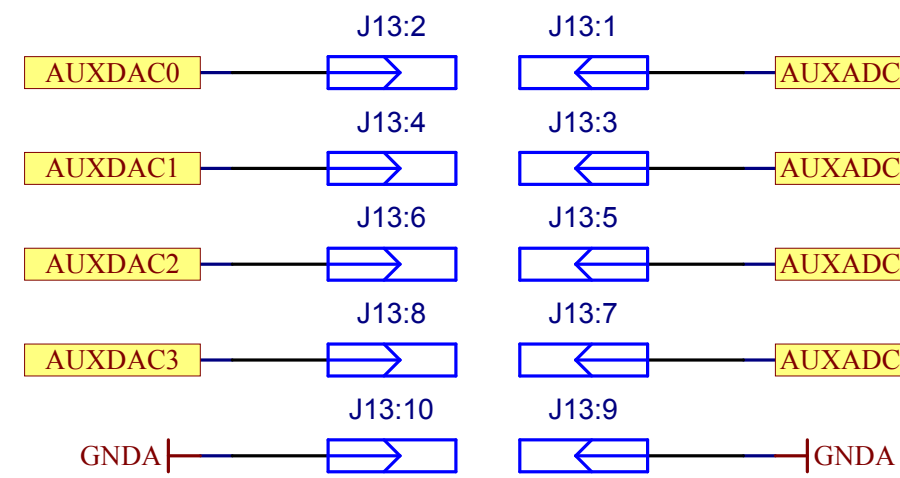
Radio Interface



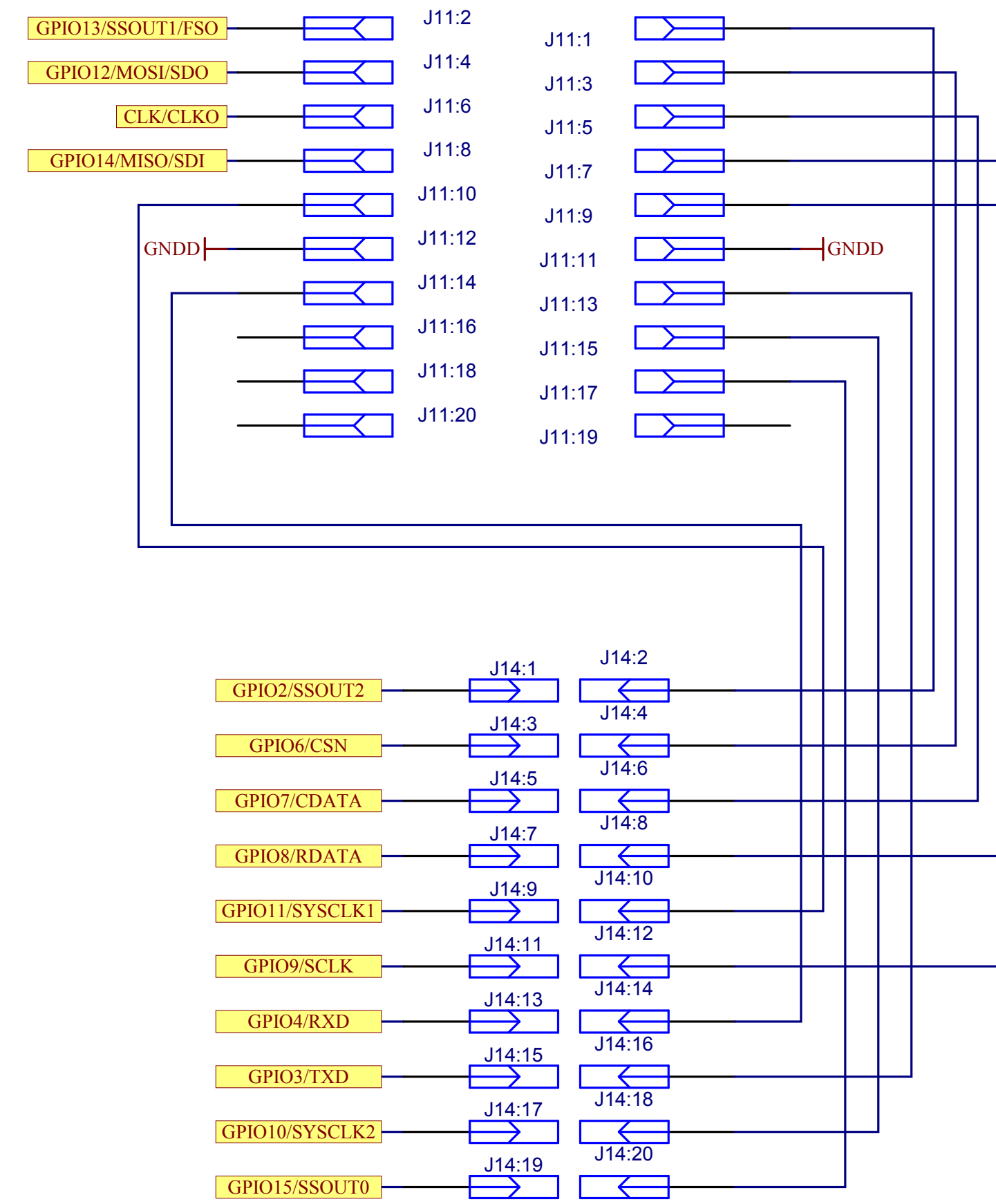
Audio Connector



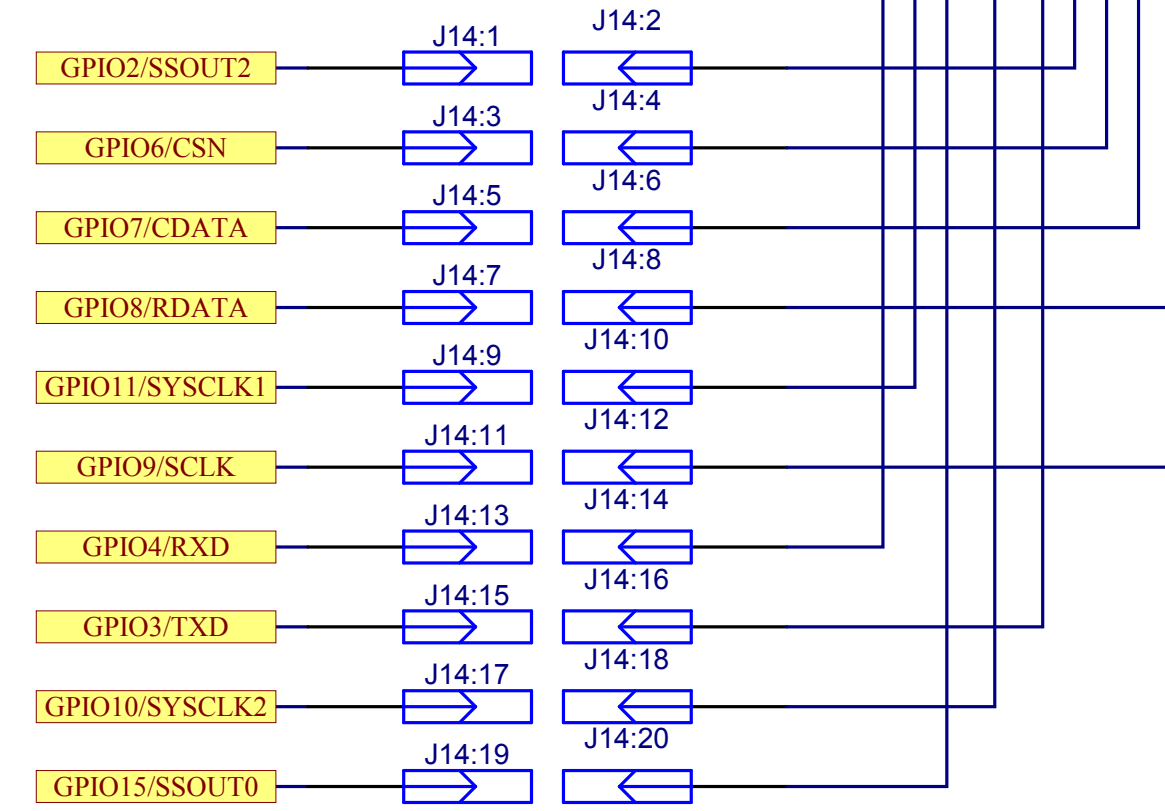
AUXDAC/AUXADC Connector

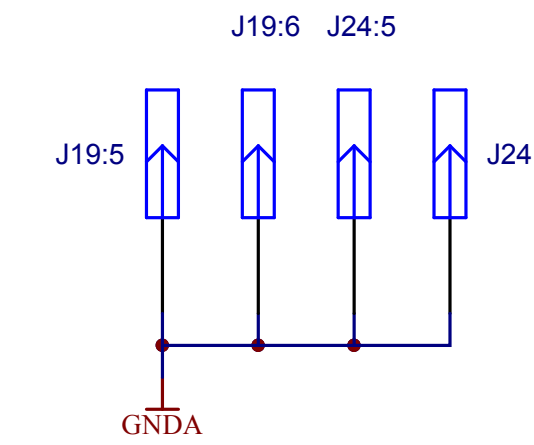
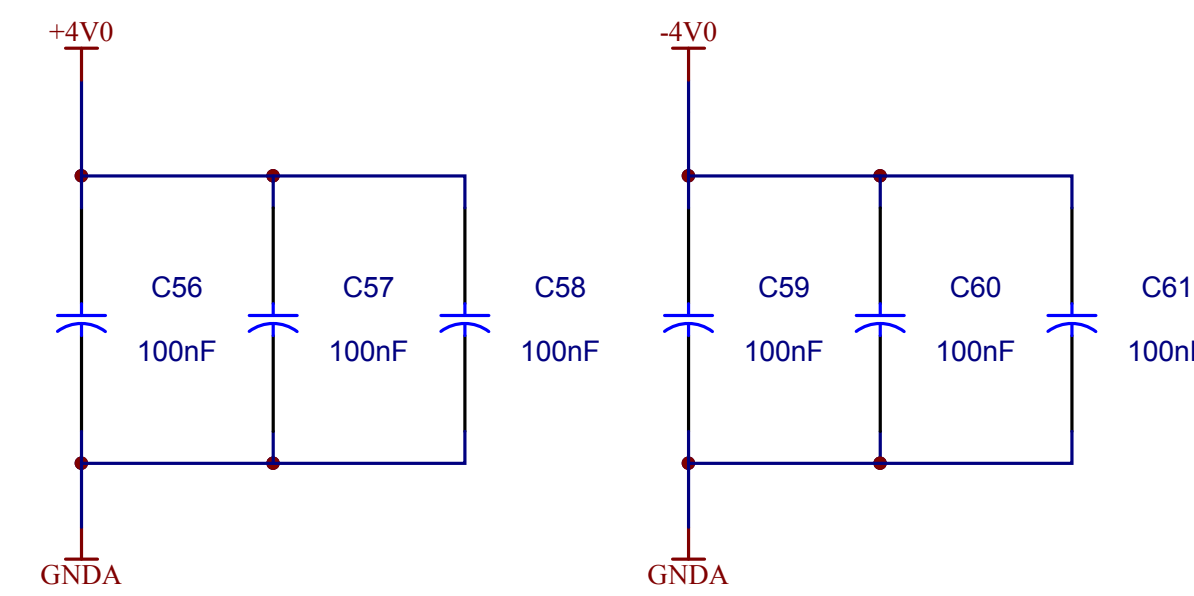
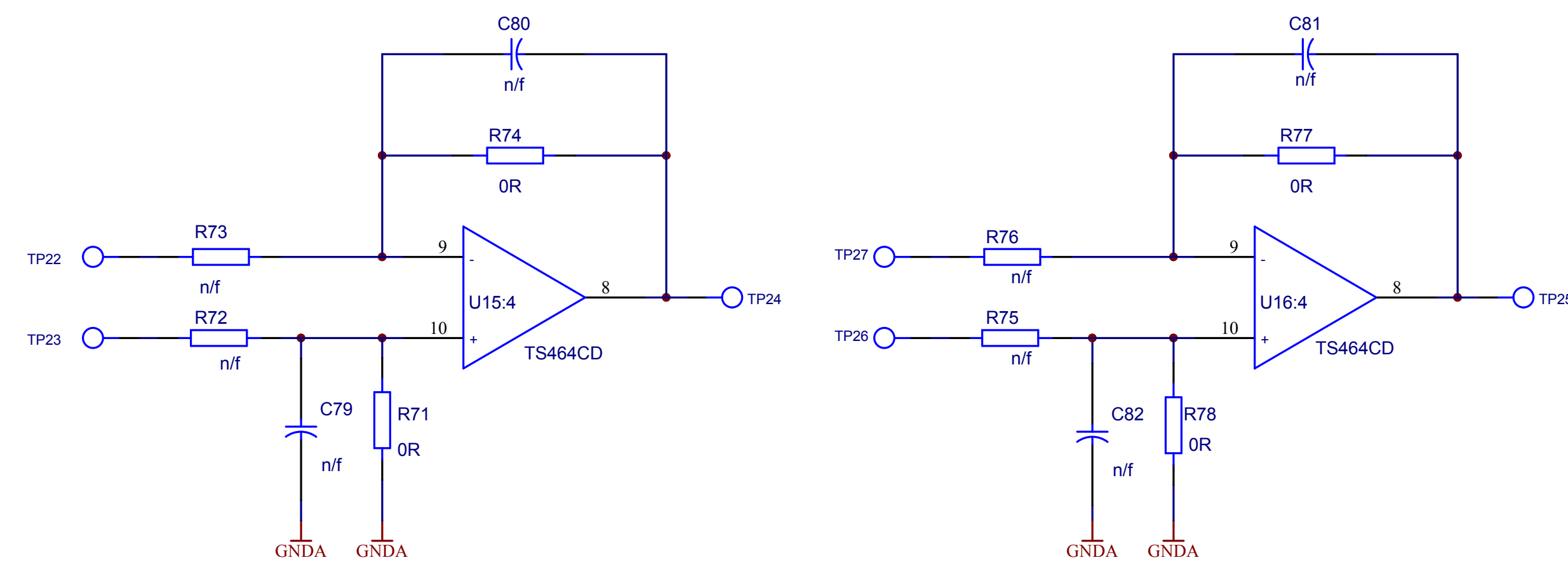
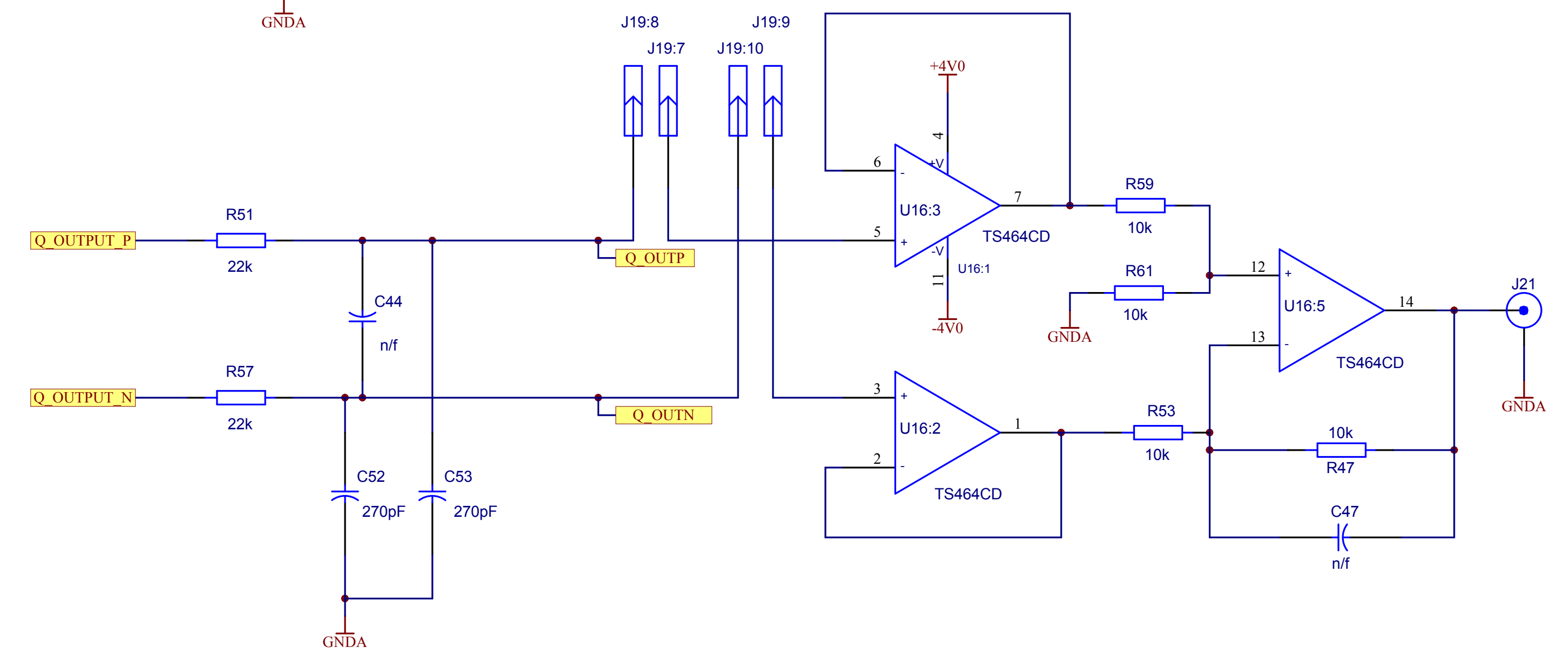
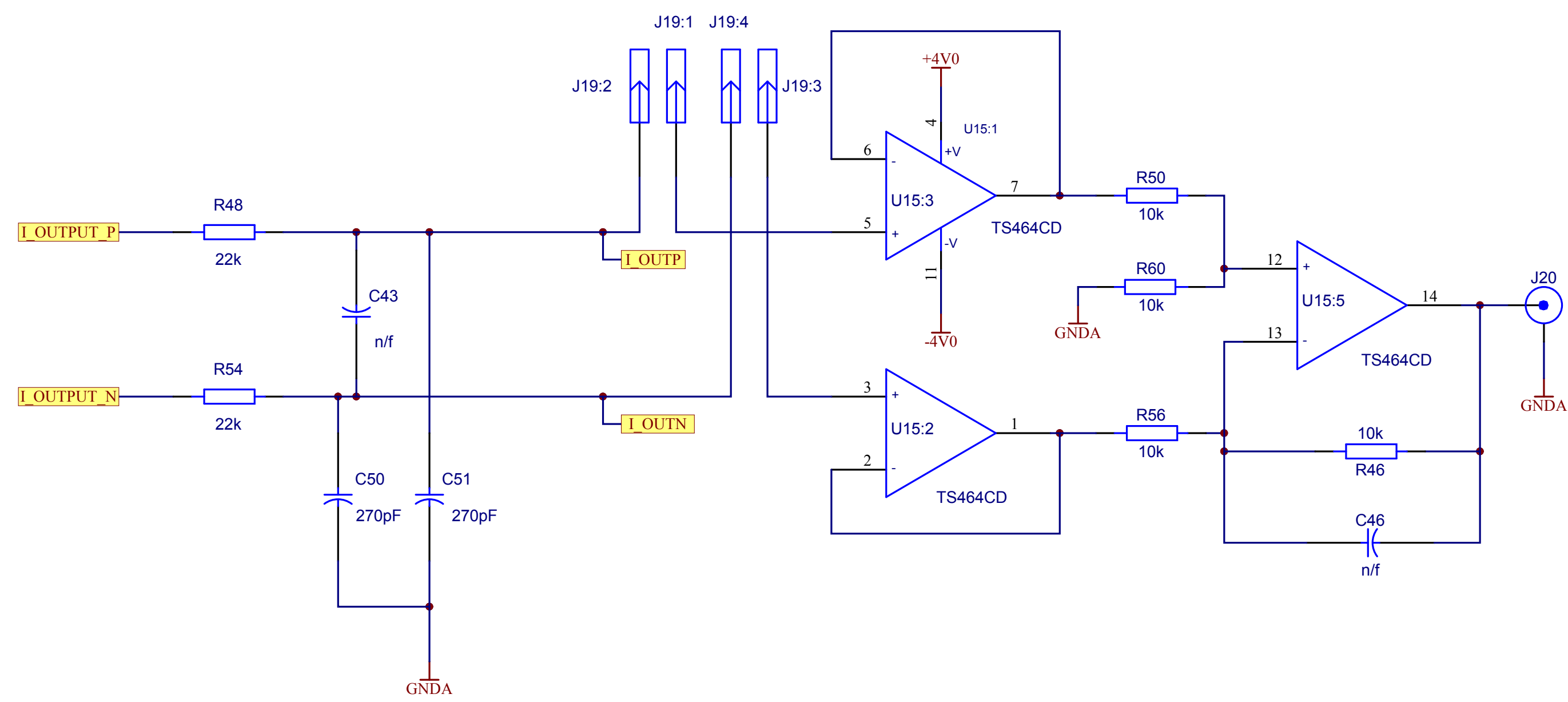
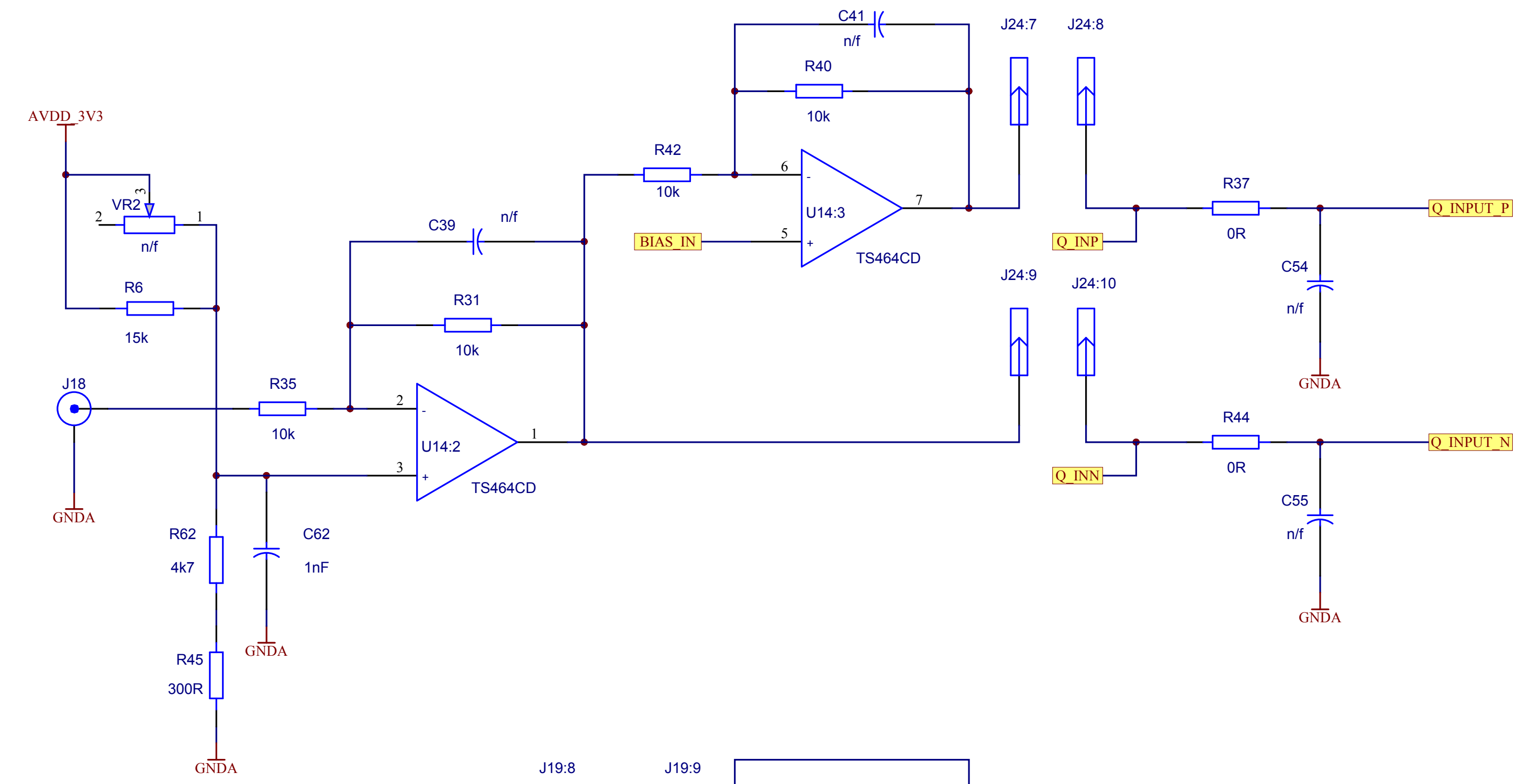
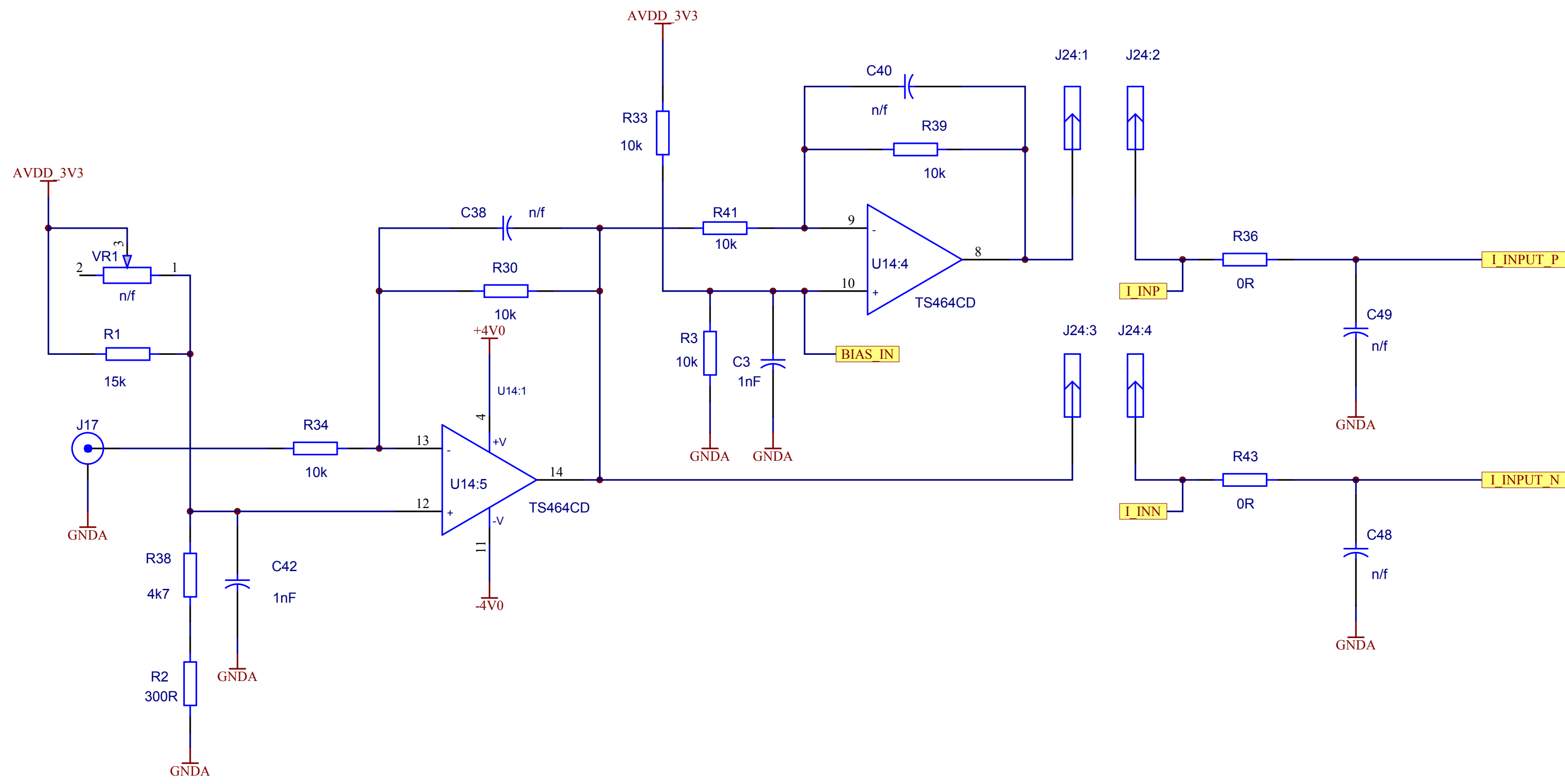


SSP Connector 2 (C-BUS Master)

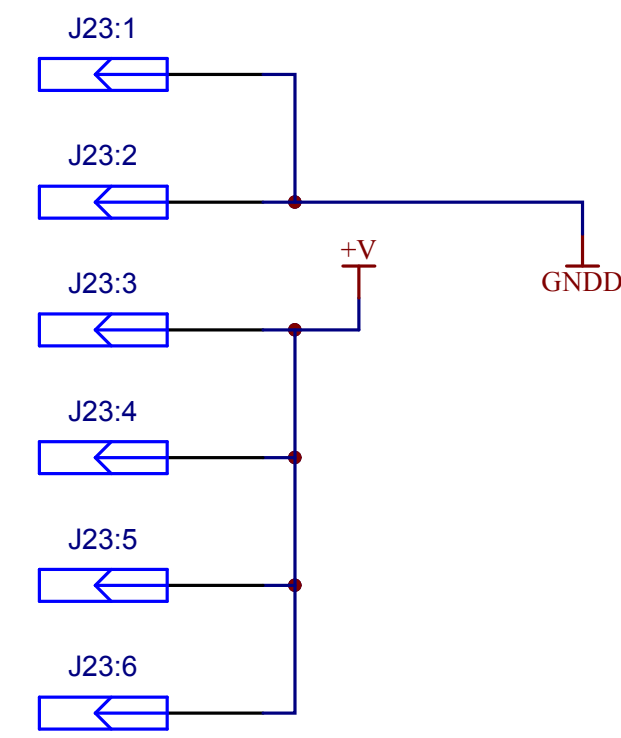


Signal Routing Jumpers





PE0002 Power Connector



Power Connector

