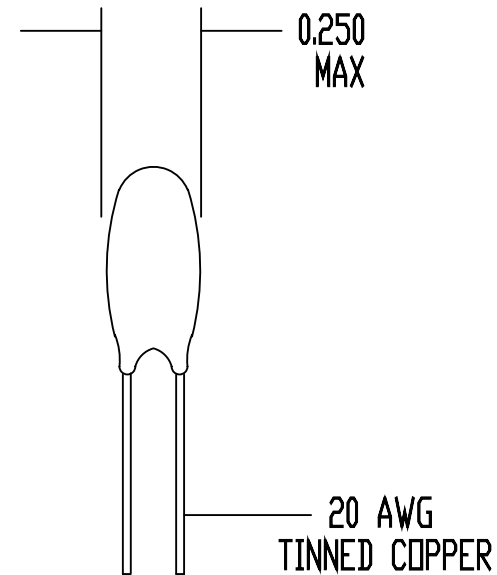
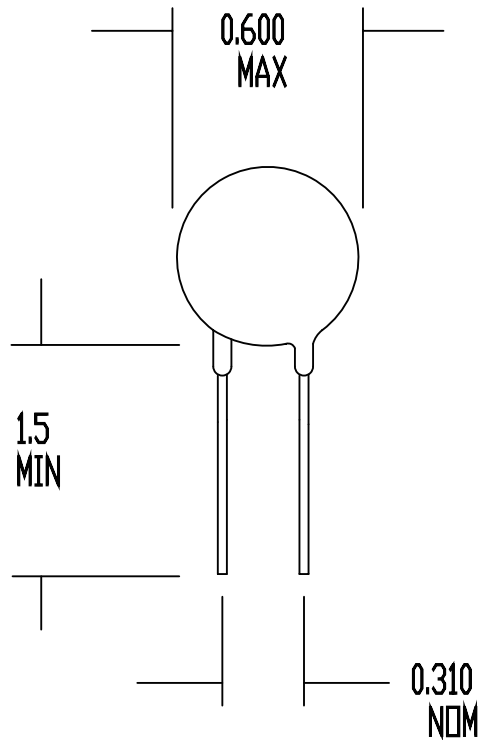



REV	DATE	ECD#
A	06/11/93	1265

DRAWING NOT TO SCALE
ALL DIMENSIONS IN INCHES



SPECIFICATIONS:

RESISTANCE AT 25 DEG C = 5 OHMS +/- 10%
 MAXIMUM CONTINUOUS CURRENT (I_{max}) = 6.0 AMPS
 RESISTANCE AT I_{max} = 0.1 OHMS NOMINAL
 MAXIMUM VOLTAGE RATING = 265 VAC (RMS)
 MAXIMUM SURGE RATING = 30 JOULES
 ENCAPSULATION = SILICONE RESIN
 MARKING = OPTIONAL
 LEADS = RODAN P/N STL-209-20

DRAWN BY D. NGUYEN		 AMETHERM <i>Circuit Protection Thermistors</i>
DATE 05/02/90	ORIG. F.TISED	
REV A	APP	SURGE-GARD INRUSH CURRENT LIMITER
SHEET 1 OF 1		SG57