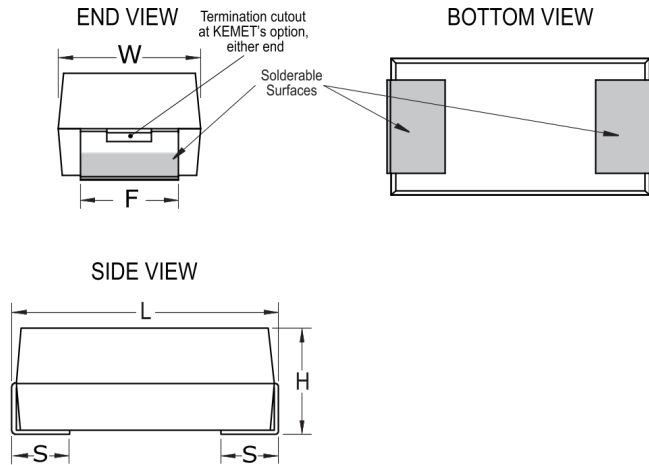


T493X476M035CH6310

Aliases (DLA Drawing 07016-155MCHB)

T493 HRA, Tantalum, MnO2 Tantalum, HRA, 47 uF, 20%, 35 VDC, SMD, MnO2, Molded, DLA Drawing, C (0.01%/1000 Hrs), 250 mOhms, 7343, Height Max = 4.3mm



Click [here](#) for the 3D model.

Dimensions

Footprint	7343
L	7.3mm +/-0.3mm
W	4.3mm +/-0.3mm
H	4mm +/-0.3mm
S	1.3mm +/-0.3mm
F	2.4mm +/-0.1mm

Packaging Specifications

Packaging	T&R, 178mm
Packaging Quantity	500

General Information

Series	T493 HRA
Dielectric	MnO2 Tantalum
Style	SMD Chip
Description	SMD, MnO2, Molded, DLA Drawing
RoHS	No
Prop 65	⚠ WARNING: Cancer and reproductive harm - http://www.p65warnings.ca.gov
SCIP Number	1dd2e1b8-26dd-4d52-927c-6f9d519011aa
Termination	Solder Coated
AEC-Q200	No
Component Weight	654.04 mg

Specifications

Capacitance	47 uF
Capacitance Tolerance	20%
Voltage DC	35 VDC (85C), 23.45 VDC (125C)
Temperature Range	-55/+125°C
Rated Temperature	85°C
Dissipation Factor	6% 120Hz 25C
Failure Rate	C (0.01%/1000 Hrs)
Resistance	0.25 Ohms (100kHz 25C)
Ripple Current	812 mA (rms, 100kHz 25C)
Leakage Current	16.5 uA (5min 25°C)
Testing and Reliability	10 Cycles Surge Current Testing At -55C And +85C After Weibull