

| ABBREVIATION | DESCRIPTION | COLOR | MATERIAL |
|--------------|--------------------------|------------|--------------------------------|
| A-BLACK | HOUSING, KEYING OPTION A | BLACK | SPS/NYLON GF20 |
| B-LIGHT GRAY | HOUSING, KEYING OPTION B | LIGHT GRAY | SPS/NYLON GF20 |
| C-BROWN | HOUSING, KEYING OPTION C | BROWN | SPS/NYLON GF20 |
| D-GREEN | HOUSING, KEYING OPTION D | GREEN | SPS/NYLON GF20 |
| A-YELLOW | HOUSING, KEYING OPTION A | YELLOW | SPS/NYLON GF20 |
| C-DARK GRAY | HOUSING, KEYING OPTION C | DARK GRAY | SPS/NYLON GF20 |
| D-STONE GRAY | HOUSING, KEYING OPTION D | STONE GRAY | SPS/NYLON GF20 |
| A-LIGHT BLUE | HOUSING, KEYING OPTION A | LIGHT BLUE | SPS/NYLON GF 20 |
| GCO | GROMMET CAP (OPEN) | BLACK | SPS/NYLON GF20 |
| GCP | GROMMET CAP (PLUGGED) | BLACK | SPS/NYLON GF20 |
| PLR | PLR | NATURAL | SPS/NYLON GF20 |
| M-R | MAT SEAL | RUST RED | INHERENTLY LUBRICATED SILICONE |
| M-B | MAT SEAL | LIGHT BLUE | INHERENTLY LUBRICATED SILICONE |

FOR ADDITIONAL INFORMATION SEE SD-33482-0001

| ASSEMBLY DESCRIPTION | ASSEMBLY PART NUMBER | COMPONENT | | | | BLOCKED TERMINALS | | | | | | | | | | STATUS | COMMENT | OPTIONAL ATTACHMENTS SOLD SEPARATELY | | | | | | | | | | |
|-----------------------------|----------------------|--|-------------|-----|----------|--|----|---|---|---|---|---|---|---|---|--------|---------|--------------------------------------|------------------------|-----------------------|--------------------------|----|----------|---------------|------------|------------|------------|------------|
| | | THE PRESENCE OF AN ABBREVIATION INDICATES THE PRESENCE OF THAT COMPONENT | | | | CAVITY WITH A NUMBER INDICATES BLOCKED TERMINAL POSITION CAVITY WITHOUT A NUMBER INDICATES OPEN TERMINAL POSITION | | | | | | | | | | | | BACKSHELL WITH RIBS | BACKSHELL WITHOUT RIBS | 90° ADAPTOR WITH RIBS | 90° ADAPTOR WITHOUT RIBS | | | | | | | |
| | | HOUSING KEY/COLOR | GROMMET CAP | PLR | MAT SEAL | | | | | | | | | | | | | | | | | | | | | | | |
| MX150 ASSY BLD 2X10 BK A/20 | 334822001 | A-BLACK | GCO | PLR | M-R | - | - | - | - | - | - | - | - | - | - | - | - | - | - | - | - | - | OBSOLETE | SEE 334822101 | 34950-2011 | 34950-2021 | 34951-1631 | 34951-1641 |
| MX150 ASSY BLD 2X10 LG B/20 | 334822002 | B-LIGHT GRAY | GCO | PLR | M-R | - | - | - | - | - | - | - | - | - | - | - | - | - | - | - | - | - | OBSOLETE | SEE 334822102 | 34950-2011 | 34950-2021 | 34951-1631 | 34951-1641 |
| MX150 ASSY BLD 2X10 BR C/20 | 334822003 | C-BROWN | GCO | PLR | M-R | - | - | - | - | - | - | - | - | - | - | - | - | - | - | - | - | - | OBSOLETE | SEE 334822154 | 34950-2011 | 34950-2021 | 34951-1631 | 34951-1641 |
| MX150 ASSY BLD 2X10 GR D/20 | 334822004 | D-GREEN | GCO | PLR | M-R | - | - | - | - | - | - | - | - | - | - | - | - | - | - | - | - | - | OBSOLETE | SEE 334822155 | 34950-2011 | 34950-2021 | 34951-1631 | 34951-1641 |
| MX150 ASSY BLD 2X10 BK A/19 | 334822006 | A-BLACK | GCP | PLR | M-R | - | - | - | - | - | - | - | - | - | - | - | - | - | - | - | - | 20 | OBSOLETE | SEE 334822106 | 34950-2011 | 34950-2021 | 34951-1631 | 34951-1641 |
| MX150 ASSY BLD 2X10 BK A/19 | 334822007 | A-BLACK | GCP | PLR | M-R | - | - | - | - | - | - | - | - | - | - | - | - | - | - | - | - | 11 | OBSOLETE | SEE 334822107 | 34950-2011 | 34950-2021 | 34951-1631 | 34951-1641 |
| MX150 ASSY BLD 2X10 BK A/12 | 334822008 | A-BLACK | GCP | PLR | M-R | - | - | - | 4 | 5 | 6 | 7 | - | - | - | - | - | - | - | - | - | - | OBSOLETE | SEE 334822108 | 34950-2011 | 34950-2021 | 34951-1631 | 34951-1641 |
| MX150 ASSY BLD 2X10 BK A/18 | 334822009 | A-BLACK | GCP | PLR | M-R | - | - | - | - | - | - | 7 | - | - | - | - | - | - | - | - | - | - | OBSOLETE | SEE 334822109 | 34950-2011 | 34950-2021 | 34951-1631 | 34951-1641 |
| MX150 ASSY BLD 2X10 BK A/16 | 334822010 | A-BLACK | GCP | PLR | M-R | - | - | - | - | - | - | - | - | - | - | - | - | - | - | - | - | 10 | OBSOLETE | SEE 334822110 | 34950-2011 | 34950-2021 | 34951-1631 | 34951-1641 |
| MX150 ASSY BLD 2X10 BK A/17 | 334822011 | A-BLACK | GCP | PLR | M-R | 11 | 12 | - | - | - | - | - | - | - | - | - | - | - | - | - | - | 20 | OBSOLETE | SEE 334822111 | 34950-2011 | 34950-2021 | 34951-1631 | 34951-1641 |
| MX150 ASSY BLD 2X10 BK A/14 | 334822012 | A-BLACK | GCP | PLR | M-R | 1 | 2 | - | - | - | - | - | - | - | - | - | - | - | - | - | - | 10 | OBSOLETE | SEE 334822112 | 34950-2011 | 34950-2021 | 34951-1631 | 34951-1641 |
| MX150 ASSY BLD 2X10 BK A/12 | 334822013 | A-BLACK | GCP | PLR | M-R | 11 | 12 | - | - | - | - | - | - | - | - | - | - | - | - | - | - | 20 | OBSOLETE | SEE 334822113 | 34950-2011 | 34950-2021 | 34951-1631 | 34951-1641 |
| MX150 ASSY BLD 2X10 BK A/14 | 334822014 | A-BLACK | GCP | PLR | M-R | - | - | 3 | 4 | 5 | - | - | - | - | - | - | - | - | - | - | - | - | OBSOLETE | SEE 334822114 | 34950-2011 | 34950-2021 | 34951-1631 | 34951-1641 |
| MX150 ASSY BLD 2X10 BK A/16 | 334822015 | A-BLACK | GCP | PLR | M-R | - | - | 3 | 4 | 5 | - | - | - | - | - | - | - | - | - | - | - | - | OBSOLETE | SEE 334822115 | 34950-2011 | 34950-2021 | 34951-1631 | 34951-1641 |
| MX150 ASSY BLD 2X10 BK A/16 | 334822016 | A-BLACK | GCP | PLR | M-R | - | 2 | - | - | - | - | - | - | - | - | - | - | - | - | - | - | - | OBSOLETE | SEE 334822116 | 34950-2011 | 34950-2021 | 34951-1631 | 34951-1641 |
| MX150 ASSY BLD 2X10 BK A/17 | 334822017 | A-BLACK | GCP | PLR | M-R | - | - | - | - | - | - | - | - | - | - | - | - | - | - | - | - | - | OBSOLETE | SEE 334822117 | 34950-2011 | 34950-2021 | 34951-1631 | 34951-1641 |
| MX150 ASSY BLD 2X10 BK A/15 | 334822018 | A-BLACK | GCP | PLR | M-R | - | - | - | - | - | - | - | - | - | - | - | - | - | - | - | - | 10 | OBSOLETE | SEE 334822118 | 34950-2011 | 34950-2021 | 34951-1631 | 34951-1641 |

| ASSEMBLY DESCRIPTION | ASSEMBLY PART NUMBER | COMPONENT | | | | BLOCKED TERMINALS | | | | | | | | | | STATUS | COMMENT | OPTIONAL ATTACHMENTS SOLD SEPARATELY | | | | | | | | | | | | |
|-----------------------------|----------------------|--|-------------|-----|----------|--|---|---|---|---|---|---|---|---|----|--------|---------|--------------------------------------|------------------------|-----------------------|--------------------------|----|----|----|----------|---------------|------------|------------|------------|------------|
| | | THE PRESENCE OF AN ABBREVIATION INDICATES THE PRESENCE OF THAT COMPONENT | | | | CAVITY WITH A NUMBER INDICATES BLOCKED TERMINAL POSITION CAVITY WITHOUT A NUMBER INDICATES OPEN TERMINAL POSITION | | | | | | | | | | | | BACKSHELL WITH RIBS | BACKSHELL WITHOUT RIBS | 90° ADAPTOR WITH RIBS | 90° ADAPTOR WITHOUT RIBS | | | | | | | | | |
| | | HOUSING KEY/COLOR | GROMMET CAP | PLR | MAT SEAL | 1 | 2 | 3 | 4 | 5 | 6 | 7 | 8 | 9 | 10 | | | | | | | 11 | 12 | 13 | 14 | 15 | 16 | 17 | 18 | 19 |
| MX150 ASSY BLD 2X10 BK A/15 | 334822019 | A-BLACK | GCP | PLR | M-R | - | - | 3 | 4 | - | - | - | - | - | - | - | - | - | - | - | - | - | - | - | OBSOLETE | SEE 334822119 | 34950-2011 | 34950-2021 | 34951-1631 | 34951-1641 |
| MX150 ASSY BLD 2X10 BK A/12 | 334822020 | A-BLACK | GCP | PLR | M-R | - | - | 3 | 4 | 5 | - | - | - | - | - | - | - | - | - | - | - | - | - | - | OBSOLETE | SEE 334822120 | 34950-2011 | 34950-2021 | 34951-1631 | 34951-1641 |
| MX150 ASSY BLD 2X10 BK A/9 | 334822021 | A-BLACK | GCP | PLR | M-R | 1 | 2 | 3 | 4 | 5 | - | - | - | - | - | - | - | - | - | - | - | - | 10 | - | OBSOLETE | SEE 334822121 | 34950-2011 | 34950-2021 | 34951-1631 | 34951-1641 |
| MX150 ASSY BLD 2X10 BK A/14 | 334822022 | A-BLACK | GCP | PLR | M-R | - | - | 3 | 4 | - | - | - | - | - | - | - | - | - | - | - | - | - | 10 | - | OBSOLETE | SEE 334822122 | 34950-2011 | 34950-2021 | 34951-1631 | 34951-1641 |
| MX150 ASSY BLD 2X10 BK A/13 | 334822023 | A-BLACK | GCP | PLR | M-R | - | - | - | - | - | - | - | - | - | - | - | - | - | - | - | - | - | 10 | - | OBSOLETE | SEE 334822123 | 34950-2011 | 34950-2021 | 34951-1631 | 34951-1641 |
| MX150 ASSY BLD 2X10 BK A/16 | 334822024 | A-BLACK | GCP | PLR | M-R | - | - | - | - | - | - | - | - | - | - | - | - | - | - | - | - | - | - | - | OBSOLETE | SEE 334822124 | 34950-2011 | 34950-2021 | 34951-1631 | 34951-1641 |
| MX150 ASSY BLD 2X10 BK A/16 | 334822025 | A-BLACK | GCP | PLR | M-R | - | - | - | - | - | - | - | - | - | - | - | - | - | - | - | - | - | 10 | - | OBSOLETE | SEE 334822125 | 34950-2011 | 34950-2021 | 34951-1631 | 34951-1641 |
| MX150 ASSY BLD 2X10 BK A/13 | 334822026 | A-BLACK | GCP | PLR | M-R | - | - | - | 4 | 5 | - | - | - | - | - | - | - | - | - | - | - | - | 10 | - | OBSOLETE | SEE 334822126 | 34950-2011 | 34950-2021 | 34951-1631 | 34951-1641 |
| MX150 ASSY BLD 2X10 BK A/12 | 334822027 | A-BLACK | GCP | PLR | M-R | - | - | - | 4 | 5 | - | - | - | - | - | - | - | - | - | - | - | - | 10 | - | OBSOLETE | SEE 334822127 | 34950-2011 | 34950-2021 | 34951-1631 | 34951-1641 |
| MX150 ASSY BLD 2X10 BK A/2 | 334822028 | A-BLACK | GCP | PLR | M-R | 1 | - | 3 | 4 | 5 | 6 | 7 | 8 | 9 | 10 | - | - | - | - | - | - | - | - | - | OBSOLETE | SEE 334822128 | 34950-2011 | 34950-2021 | 34951-1631 | 34951-1641 |
| MX150 ASSY BLD 2X10 BK A/14 | 334822029 | A-BLACK | GCP | PLR | M-R | - | - | - | 4 | 5 | 6 | 7 | - | - | - | - | - | - | - | - | - | - | - | - | OBSOLETE | SEE 334822129 | 34950-2011 | 34950-2021 | 34951-1631 | 34951-1641 |
| MX150 ASSY BLD 2X10 BK A/12 | 334822030 | A-BLACK | GCP | PLR | M-R | - | - | 3 | 4 | 5 | - | - | - | - | - | - | - | - | - | - | - | - | - | - | OBSOLETE | SEE 334822130 | 34950-2011 | 34950-2021 | 34951-1631 | 34951-1641 |
| MX150 ASSY BLD 2X10 BK A/17 | 334822031 | A-BLACK | GCP | PLR | M-R | - | - | - | 4 | - | - | 7 | - | - | - | - | - | - | - | - | - | - | - | - | OBSOLETE | SEE 334822131 | 34950-2011 | 34950-2021 | 34951-1631 | 34951-1641 |
| MX150 ASSY BLD 2X10 BK A/13 | 334822032 | A-BLACK | GCP | PLR | M-R | - | - | 3 | 4 | 5 | - | - | - | - | - | - | - | - | - | - | - | - | - | - | OBSOLETE | SEE 334822132 | 34950-2011 | 34950-2021 | 34951-1631 | 34951-1641 |
| MX150 ASSY BLD 2X10 BK A/17 | 334822033 | A-BLACK | GCP | PLR | M-R | - | - | - | - | - | - | - | - | - | - | - | - | - | - | - | - | - | 10 | - | OBSOLETE | SEE 334822133 | 34950-2011 | 34950-2021 | 34951-1631 | 34951-1641 |
| MX150 ASSY BLD 2X10 BK A/16 | 334822034 | A-BLACK | GCP | PLR | M-R | - | - | - | - | - | - | - | - | - | - | - | - | - | - | - | - | - | - | - | OBSOLETE | SEE 334822134 | 34950-2011 | 34950-2021 | 34951-1631 | 34951-1641 |
| MX150 ASSY BLD 2X10 BK A/15 | 334822035 | A-BLACK | GCP | PLR | M-R | - | - | - | - | - | - | - | - | - | - | - | - | - | - | - | - | - | - | - | OBSOLETE | SEE 334822135 | 34950-2011 | 34950-2021 | 34951-1631 | 34951-1641 |
| MX150 ASSY BLD 2X10 BK A/14 | 334822036 | A-BLACK | GCP | PLR | M-R | - | - | - | - | - | - | 7 | - | 9 | - | - | - | - | - | - | - | - | - | - | OBSOLETE | SEE 334822136 | 34950-2011 | 34950-2021 | 34951-1631 | 34951-1641 |
| MX150 ASSY BLD 2X10 BK A/18 | 334822037 | A-BLACK | GCP | PLR | M-R | - | - | - | - | - | - | 7 | - | 9 | - | - | - | - | - | - | - | - | - | - | OBSOLETE | SEE 334822137 | 34950-2011 | 34950-2021 | 34951-1631 | 34951-1641 |
| MX150 ASSY BLD 2X10 BK A/7 | 334822038 | A-BLACK | GCP | PLR | M-R | 1 | 2 | 3 | 4 | 5 | 6 | 7 | 8 | 9 | 10 | - | - | - | - | - | - | - | - | - | OBSOLETE | SEE 334822138 | 34950-2011 | 34950-2021 | 34951-1631 | 34951-1641 |
| MX150 ASSY BLD 2X10 BK A/9 | 334822039 | A-BLACK | GCP | PLR | M-R | 1 | 2 | 3 | 4 | 5 | 6 | 7 | 8 | - | 10 | - | - | - | - | - | - | - | - | - | OBSOLETE | SEE 334822139 | 34950-2011 | 34950-2021 | 34951-1631 | 34951-1641 |
| MX150 ASSY BLD 2X10 BK A/17 | 334822040 | A-BLACK | GCP | PLR | M-R | - | - | - | - | - | - | 7 | - | - | - | - | - | - | - | - | - | - | - | - | OBSOLETE | SEE 334822140 | 34950-2011 | 34950-2021 | 34951-1631 | 34951-1641 |
| MX150 ASSY BLD 2X10 YW A/20 | 334822041 | A-YELLOW | GCO | PLR | M-R | - | - | - | - | - | - | - | - | - | - | - | - | - | - | - | - | - | - | - | OBSOLETE | SEE 334822141 | 34950-2011 | 34950-2021 | 34951-1631 | 34951-1641 |
| MX150 ASSY BLD 2X10 BK A/15 | 334822042 | A-BLACK | GCP | PLR | M-R | - | - | - | - | - | - | - | - | - | - | - | - | - | - | - | - | - | 10 | - | OBSOLETE | SEE 334822142 | 34950-2011 | 34950-2021 | 34951-1631 | 34951-1641 |
| MX150 ASSY BLD 2X10 BK A/15 | 334822043 | A-BLACK | GCP | PLR | M-R | - | 2 | - | 4 | - | - | - | - | - | - | - | - | - | - | - | - | - | - | - | OBSOLETE | SEE 334822143 | 34950-2011 | 34950-2021 | 34951-1631 | 34951-1641 |
| MX150 ASSY BLD 2X10 BK A/18 | 334822044 | A-BLACK | GCP | PLR | M-R | - | - | - | - | - | - | - | - | - | - | - | - | - | - | - | - | 18 | 19 | - | OBSOLETE | SEE 334822144 | 34950-2011 | 34950-2021 | 34951-1631 | 34951-1641 |
| MX150 ASSY BLD 2X10 BK A/18 | 334822045 | A-BLACK | GCP | PLR | M-R | - | - | - | - | - | - | - | - | - | 9 | 10 | - | - | - | - | - | - | - | - | OBSOLETE | SEE 334822145 | 34950-2011 | 34950-2021 | 34951-1631 | 34951-1641 |

| ASSEMBLY DESCRIPTION | ASSEMBLY PART NUMBER | COMPONENT | | | | BLOCKED TERMINALS | | | | | | | | | | STATUS | COMMENT | OPTIONAL ATTACHMENTS SOLD SEPARATELY | | | | | | | | | | | | |
|-----------------------------|----------------------|--|-------------|-----|----------|--|---|---|---|---|---|---|---|---|----|--------|---------|--------------------------------------|------------------------|-----------------------|--------------------------|----|----|----------|---------------|---------------|------------|------------|------------|------------|
| | | THE PRESENCE OF AN ABBREVIATION INDICATES THE PRESENCE OF THAT COMPONENT | | | | CAVITY WITH A NUMBER INDICATES BLOCKED TERMINAL POSITION CAVITY WITHOUT A NUMBER INDICATES OPEN TERMINAL POSITION | | | | | | | | | | | | BACKSHELL WITH RIBS | BACKSHELL WITHOUT RIBS | 90° ADAPTOR WITH RIBS | 90° ADAPTOR WITHOUT RIBS | | | | | | | | | |
| | | HOUSING KEY/COLOR | GROMMET CAP | PLR | MAT SEAL | 1 | 2 | 3 | 4 | 5 | 6 | 7 | 8 | 9 | 10 | | | | | | | 11 | 12 | 13 | 14 | 15 | 16 | 17 | 18 | 19 |
| MX150 ASSY BLD 2X10 BK A/12 | 334822046 | A-BLACK | GCP | PLR | M-R | 1 | - | - | - | - | - | - | - | - | - | - | - | - | - | - | - | - | - | - | OBSOLETE | SEE 334822146 | 34950-2011 | 34950-2021 | 34951-1631 | 34951-1641 |
| MX150 ASSY BLD 2X10 BK A/10 | 334822047 | A-BLACK | GCP | PLR | M-R | - | - | 3 | 4 | 5 | - | - | - | - | - | - | - | - | - | - | - | - | 10 | OBSOLETE | SEE 334822147 | 34950-2011 | 34950-2021 | 34951-1631 | 34951-1641 | |
| MX150 ASSY BLD 2X10 BK A/2 | 334822048 | A-BLACK | GCP | PLR | M-R | 1 | 2 | 3 | 4 | 5 | 6 | 7 | 8 | 9 | - | - | - | - | - | - | - | - | - | - | OBSOLETE | SEE 334822148 | 34950-2011 | 34950-2021 | 34951-1631 | 34951-1641 |
| MX150 ASSY BLD 2X10 BK A/11 | 334822049 | A-BLACK | GCP | PLR | M-R | - | - | 3 | 4 | 5 | 6 | - | 8 | 9 | - | - | - | - | - | - | - | - | - | - | OBSOLETE | SEE 334822149 | 34950-2011 | 34950-2021 | 34951-1631 | 34951-1641 |
| MX150 ASSY BLD 2X10 BK A/4 | 334822050 | A-BLACK | GCP | PLR | M-R | 1 | 2 | 3 | 4 | 5 | 6 | - | - | - | - | - | - | - | - | - | - | - | - | - | OBSOLETE | SEE 334822150 | 34950-2011 | 34950-2021 | 34951-1631 | 34951-1641 |
| MX150 ASSY BLD 2X10 BK A/10 | 334822051 | A-BLACK | GCP | PLR | M-R | - | - | - | - | - | - | - | - | - | - | - | - | - | - | - | - | - | - | - | OBSOLETE | SEE 334822151 | 34950-2011 | 34950-2021 | 34951-1631 | 34951-1641 |
| MX150 ASSY BLD 2X10 BK A/0 | 334822052 | A-BLACK | GCP | PLR | M-R | 1 | 2 | 3 | 4 | 5 | 6 | 7 | 8 | 9 | 10 | - | - | - | - | - | - | - | - | - | OBSOLETE | SEE 334822152 | 34950-2011 | 34950-2021 | 34951-1631 | 34951-1641 |
| MX150 ASSY BLD 2X10 BK A/14 | 334822053 | A-BLACK | GCP | PLR | M-R | - | - | 3 | - | - | - | - | 8 | 9 | - | - | - | - | - | - | - | - | - | - | OBSOLETE | SEE 334822153 | 34950-2011 | 34950-2021 | 34951-1631 | 34951-1641 |
| MX150 ASSY BLD 2X10 DG C/20 | 334822054 | C-DARK GRAY | GCO | PLR | M-R | - | - | - | - | - | - | - | - | - | - | - | - | - | - | - | - | - | - | - | OBSOLETE | SEE 334822154 | 34950-2011 | 34950-2021 | 34951-1631 | 34951-1641 |
| MX150 ASSY BLD 2X10 SG D/20 | 334822055 | D-STONE GRAY | GCO | PLR | M-R | - | - | - | - | - | - | - | - | - | - | - | - | - | - | - | - | - | - | - | OBSOLETE | SEE 334822155 | 34950-2011 | 34950-2021 | 34951-1631 | 34951-1641 |
| MX150 ASSY BLD 2X10 LG B/16 | 334822056 | B-LIGHT GRAY | GCP | PLR | M-R | - | - | 3 | - | 5 | - | - | - | 9 | 10 | - | - | - | - | - | - | - | - | - | OBSOLETE | SEE 334822156 | 34950-2011 | 34950-2021 | 34951-1631 | 34951-1641 |
| MX150 ASSY BLD 2X10 LG B/5 | 334822057 | B-LIGHT GRAY | GCP | PLR | M-R | - | - | 3 | 4 | 5 | - | - | - | 9 | 10 | - | - | - | - | - | - | - | - | - | OBSOLETE | SEE 334822157 | 34950-2011 | 34950-2021 | 34951-1631 | 34951-1641 |
| MX150 ASSY BLD 2X10 LG B/12 | 334822058 | B-LIGHT GRAY | GCP | PLR | M-R | - | - | 3 | - | 5 | - | - | - | 9 | 10 | - | - | - | - | - | - | - | - | - | OBSOLETE | SEE 334822158 | 34950-2011 | 34950-2021 | 34951-1631 | 34951-1641 |
| MX150 ASSY BLD 2X10 LG B/11 | 334822059 | B-LIGHT GRAY | GCP | PLR | M-R | - | - | 3 | 4 | 5 | 6 | - | 8 | 9 | 10 | - | - | - | - | - | - | - | - | - | OBSOLETE | SEE 334822159 | 34950-2011 | 34950-2021 | 34951-1631 | 34951-1641 |
| MX150 ASSY BLD 2X10 BK A/10 | 334822060 | A-BLACK | GCP | PLR | M-R | - | - | - | 4 | 5 | - | - | 8 | - | - | - | - | - | - | - | - | - | - | - | OBSOLETE | SEE 334822160 | 34950-2011 | 34950-2021 | 34951-1631 | 34951-1641 |
| MX150 ASSY BLD 2X10 BK A/12 | 334822061 | A-BLACK | GCP | PLR | M-R | - | - | - | 4 | 5 | - | - | 8 | - | - | - | - | - | - | - | - | - | - | - | OBSOLETE | SEE 334822161 | 34950-2011 | 34950-2021 | 34951-1631 | 34951-1641 |
| MX150 ASSY BLD 2X10 YW A/9 | 334822062 | A-YELLOW | GCP | PLR | M-R | - | - | 3 | - | - | 6 | 7 | 8 | 9 | 10 | - | - | - | - | - | - | - | - | - | OBSOLETE | SEE 334822162 | 34950-2011 | 34950-2021 | 34951-1631 | 34951-1641 |
| MX150 ASSY BLD 2X10 YW A/11 | 334822063 | A-YELLOW | GCP | PLR | M-R | - | - | 3 | - | - | 6 | 7 | 8 | 9 | 10 | - | - | - | - | - | - | - | - | - | OBSOLETE | SEE 334822163 | 34950-2011 | 34950-2021 | 34951-1631 | 34951-1641 |
| MX150 ASSY BLD 2X10 YW A/15 | 334822064 | A-YELLOW | GCP | PLR | M-R | - | - | 3 | - | - | - | 7 | - | - | 10 | - | - | - | - | - | - | - | - | - | OBSOLETE | SEE 334822164 | 34950-2011 | 34950-2021 | 34951-1631 | 34951-1641 |
| MX150 ASSY BLD 2X10 YW A/2 | 334822065 | A-YELLOW | GCP | PLR | M-R | - | - | 3 | 4 | 5 | 6 | 7 | 8 | 9 | 10 | - | - | - | - | - | - | - | - | - | OBSOLETE | SEE 334822165 | 34950-2011 | 34950-2021 | 34951-1631 | 34951-1641 |
| MX150 ASSY BLD 2X10 YW A/7 | 334822066 | A-YELLOW | GCP | PLR | M-R | - | - | 3 | 4 | 5 | 6 | 7 | 8 | 9 | 10 | - | - | - | - | - | - | - | - | - | OBSOLETE | SEE 334822166 | 34950-2011 | 34950-2021 | 34951-1631 | 34951-1641 |
| MX150 ASSY BLD 2X10 YW A/14 | 334822067 | A-YELLOW | GCP | PLR | M-R | - | - | 3 | - | - | - | 7 | 8 | 9 | 10 | - | - | - | - | - | - | - | - | - | OBSOLETE | SEE 334822167 | 34950-2011 | 34950-2021 | 34951-1631 | 34951-1641 |
| MX150 ASSY BLD 2X10 BK A/12 | 334822068 | A-BLACK | GCP | PLR | M-R | - | - | 3 | 4 | 5 | - | 7 | - | - | - | - | - | - | - | - | - | - | - | - | OBSOLETE | SEE 334822168 | 34950-2011 | 34950-2021 | 34951-1631 | 34951-1641 |
| MX150 ASSY BLD 2X10 BK A/14 | 334822069 | A-BLACK | GCP | PLR | M-R | - | - | - | - | - | - | 7 | - | - | 10 | - | - | - | - | - | - | - | - | - | OBSOLETE | SEE 334822169 | 34950-2011 | 34950-2021 | 34951-1631 | 34951-1641 |
| MX150 ASSY BLD 2X10 BK A/11 | 334822070 | A-BLACK | GCP | PLR | M-R | - | 2 | 3 | 4 | 5 | - | - | - | - | - | - | - | - | - | - | - | - | - | - | OBSOLETE | SEE 334822170 | 34950-2011 | 34950-2021 | 34951-1631 | 34951-1641 |
| MX150 ASSY BLD 2X10 BK A/17 | 334822071 | A-BLACK | GCP | PLR | M-R | - | - | - | - | - | - | - | - | - | - | - | - | - | - | - | - | - | - | - | OBSOLETE | SEE 334822171 | 34950-2011 | 34950-2021 | 34951-1631 | 34951-1641 |
| MX150 ASSY BLD 2X10 BK A/9 | 334822072 | A-BLACK | GCP | PLR | M-R | 1 | 2 | 3 | 4 | 5 | 6 | 7 | 8 | - | - | - | - | - | - | - | - | - | - | - | OBSOLETE | SEE 334822172 | 34950-2011 | 34950-2021 | 34951-1631 | 34951-1641 |

| ASSEMBLY DESCRIPTION | ASSEMBLY PART NUMBER | COMPONENT | | | | BLOCKED TERMINALS | | | | | | | | | | STATUS | COMMENT | OPTIONAL ATTACHMENTS SOLD SEPARATELY | | | | | |
|-----------------------------|----------------------|--|-------------|-----|----------|--|----|----|----|----|----|----|----|----|----|-----------------|---------------|--------------------------------------|------------------------|-----------------------|--------------------------|----|----|
| | | THE PRESENCE OF AN ABBREVIATION INDICATES THE PRESENCE OF THAT COMPONENT | | | | CAVITY WITH A NUMBER INDICATES BLOCKED TERMINAL POSITION CAVITY WITHOUT A NUMBER INDICATES OPEN TERMINAL POSITION | | | | | | | | | | | | BACKSHELL WITH RIBS | BACKSHELL WITHOUT RIBS | 90° ADAPTOR WITH RIBS | 90° ADAPTOR WITHOUT RIBS | | |
| | | HOUSING KEY/COLOR | GROMMET CAP | PLR | MAT SEAL | 1 | 2 | 3 | 4 | 5 | 6 | 7 | 8 | 9 | 10 | | | | | | | 11 | 12 |
| MX150 ASSY BLD 2X10 BK A/18 | 334822073 | A-BLACK | GCP | PLR | M-R | - | - | - | - | - | - | - | 8 | - | - | OBSOLETE | SEE 334822173 | 34950-2011 | 34950-2021 | 34951-1631 | 34951-1641 | | |
| MX150 ASSY BLD 2X10 BK A/15 | 334822074 | A-BLACK | GCP | PLR | M-R | 1 | - | - | - | - | - | - | 8 | - | 10 | OBSOLETE | SEE 334822174 | 34950-2011 | 34950-2021 | 34951-1631 | 34951-1641 | | |
| MX150 ASSY BLD 2X10 BK A/14 | 334822075 | A-BLACK | GCP | PLR | M-R | 1 | - | - | - | - | - | - | 8 | 9 | - | OBSOLETE | SEE 334822175 | 34950-2011 | 34950-2021 | 34951-1631 | 34951-1641 | | |
| MX150 ASSY BLD 2X10 BK A/17 | 334822076 | A-BLACK | GCP | PLR | M-R | 11 | - | - | - | - | - | - | - | 19 | 20 | OBSOLETE | SEE 334822176 | 34950-2011 | 34950-2021 | 34951-1631 | 34951-1641 | | |
| MX150 ASSY BLD 2X10 BK A/16 | 334822077 | A-BLACK | GCP | PLR | M-R | - | - | - | - | - | - | - | - | - | - | OBSOLETE | SEE 334822177 | 34950-2011 | 34950-2021 | 34951-1631 | 34951-1641 | | |
| MX150 ASSY BLD 2X10 BK A/18 | 334822078 | A-BLACK | GCP | PLR | M-R | - | - | - | 4 | - | - | - | - | - | - | OBSOLETE | SEE 334822178 | 34950-2011 | 34950-2021 | 34951-1631 | 34951-1641 | | |
| MX150 ASSY BLD 2X10 BK A/6 | 334822079 | A-BLACK | GCP | PLR | M-R | - | - | - | 4 | 5 | 6 | 7 | 8 | 9 | 10 | OBSOLETE | SEE 334822179 | 34950-2011 | 34950-2021 | 34951-1631 | 34951-1641 | | |
| MX150 ASSY BLD 2X10 BK A/11 | 334822080 | A-BLACK | GCP | PLR | M-R | - | - | - | 14 | 15 | 16 | 17 | 18 | 19 | 20 | OBSOLETE | SEE 334822180 | 34950-2011 | 34950-2021 | 34951-1631 | 34951-1641 | | |
| MX150 ASSY BLD 2X10 BK A/9 | 334822081 | A-BLACK | GCP | PLR | M-R | 1 | - | 3 | 4 | - | - | - | 8 | 9 | - | OBSOLETE | SEE 334822181 | 34950-2011 | 34950-2021 | 34951-1631 | 34951-1641 | | |
| MX150 ASSY BLD 2X10 BK A/8 | 334822082 | A-BLACK | GCP | PLR | M-R | 11 | - | 13 | 14 | - | - | - | 18 | 19 | 20 | OBSOLETE | SEE 334822182 | 34950-2011 | 34950-2021 | 34951-1631 | 34951-1641 | | |
| MX150 ASSY BLD 2X10 BK A/13 | 334822083 | A-BLACK | GCP | PLR | M-R | 1 | - | - | - | - | - | - | 8 | 9 | 10 | OBSOLETE | SEE 334822183 | 34950-2011 | 34950-2021 | 34951-1631 | 34951-1641 | | |
| MX150 ASSY BLD 2X10 BK A/17 | 334822084 | A-BLACK | GCP | PLR | M-R | 11 | - | - | - | - | - | - | - | 19 | 20 | OBSOLETE | SEE 334822184 | 34950-2011 | 34950-2021 | 34951-1631 | 34951-1641 | | |
| MX150 ASSY BLD 2X10 BK A/18 | 334822085 | A-BLACK | GCP | PLR | M-R | 1 | - | - | - | - | - | - | - | - | - | OBSOLETE | SEE 334822185 | 34950-2011 | 34950-2021 | 34951-1631 | 34951-1641 | | |
| MX150 ASSY BLD 2X10 BK A/14 | 334822086 | A-BLACK | GCP | PLR | M-R | - | 2 | 3 | - | 5 | - | - | - | - | - | OBSOLETE | SEE 334822186 | 34950-2011 | 34950-2021 | 34951-1631 | 34951-1641 | | |
| MX150 ASSY BLD 2X10 BK A/16 | 334822087 | A-BLACK | GCP | PLR | M-R | - | - | - | 14 | - | - | - | - | 19 | 20 | OBSOLETE | SEE 334822187 | 34950-2011 | 34950-2021 | 34951-1631 | 34951-1641 | | |
| MX150 ASSY BLD 2X10 BK A/11 | 334822088 | A-BLACK | GCP | PLR | M-R | 1 | - | - | - | 5 | 6 | 7 | 8 | - | - | OBSOLETE | SEE 334822188 | 34950-2011 | 34950-2021 | 34951-1631 | 34951-1641 | | |
| MX150 ASSY BLD 2X10 BK A/5 | 334822089 | A-BLACK | GCP | PLR | M-R | - | 12 | 13 | - | 15 | - | - | - | 19 | - | OBSOLETE | SEE 334822189 | 34950-2011 | 34950-2021 | 34951-1631 | 34951-1641 | | |
| MX150 ASSY BLD 2X10 BK A/2 | 334822090 | A-BLACK | GCP | PLR | M-R | 1 | 2 | 3 | 4 | 5 | 6 | 7 | 8 | 9 | 10 | OBSOLETE | SEE 334822190 | 34950-2011 | 34950-2021 | 34951-1631 | 34951-1641 | | |
| MX150 ASSY BLD 2X10 BK A/20 | 334822101 | A-BLACK | GCO | PLR | M-B | 11 | 12 | 13 | 14 | 15 | 16 | - | - | 19 | 20 | SALEABLE | | 34950-2011 | 34950-2021 | 34951-1631 | 34951-1641 | | |
| MX150 ASSY BLD 2X10 LG B/20 | 334822102 | B-LIGHT GRAY | GCO | PLR | M-B | - | - | - | - | - | - | - | - | - | - | SALEABLE | | 34950-2011 | 34950-2021 | 34951-1631 | 34951-1641 | | |
| MX150 ASSY BLD 2X10 BR C/20 | 334822103 | C-BROWN | GCO | PLR | M-B | - | - | - | - | - | - | - | - | - | - | NOT RECOMMENDED | SEE 334822154 | 34950-2011 | 34950-2021 | 34951-1631 | 34951-1641 | | |
| MX150 ASSY BLD 2X10 GR D/20 | 334822104 | D-GREEN | GCO | PLR | M-B | - | - | - | - | - | - | - | - | - | - | NOT RECOMMENDED | SEE 334822155 | 34950-2011 | 34950-2021 | 34951-1631 | 34951-1641 | | |
| MX150 ASSY BLD 2X10 BK A/19 | 334822106 | A-BLACK | GCP | PLR | M-B | - | - | - | - | - | - | - | - | - | - | SALEABLE | | 34950-2011 | 34950-2021 | 34951-1631 | 34951-1641 | | |
| MX150 ASSY BLD 2X10 BK A/19 | 334822107 | A-BLACK | GCP | PLR | M-B | - | - | - | - | - | - | - | - | - | 20 | SALEABLE | | 34950-2011 | 34950-2021 | 34951-1631 | 34951-1641 | | |
| MX150 ASSY BLD 2X10 BK A/12 | 334822108 | A-BLACK | GCP | PLR | M-B | 11 | - | - | - | - | - | - | - | - | - | SALEABLE | | 34950-2011 | 34950-2021 | 34951-1631 | 34951-1641 | | |
| MX150 ASSY BLD 2X10 BK A/18 | 334822109 | A-BLACK | GCP | PLR | M-B | - | - | - | 4 | 5 | 6 | 7 | - | - | - | SALEABLE | | 34950-2011 | 34950-2021 | 34951-1631 | 34951-1641 | | |
| MX150 ASSY BLD 2X10 BK A/16 | 334822110 | A-BLACK | GCP | PLR | M-B | - | - | - | 14 | 15 | 16 | 17 | - | - | - | SALEABLE | | 34950-2011 | 34950-2021 | 34951-1631 | 34951-1641 | | |
| MX150 ASSY BLD 2X10 BK A/18 | 334822109 | A-BLACK | GCP | PLR | M-B | - | - | - | - | - | - | 7 | - | - | - | SALEABLE | | 34950-2011 | 34950-2021 | 34951-1631 | 34951-1641 | | |
| MX150 ASSY BLD 2X10 BK A/16 | 334822110 | A-BLACK | GCP | PLR | M-B | - | - | - | - | - | - | - | - | - | 10 | SALEABLE | | 34950-2011 | 34950-2021 | 34951-1631 | 34951-1641 | | |
| MX150 ASSY BLD 2X10 BK A/16 | 334822110 | A-BLACK | GCP | PLR | M-B | 11 | 12 | - | - | - | - | - | - | - | 20 | SALEABLE | | 34950-2011 | 34950-2021 | 34951-1631 | 34951-1641 | | |

**MX150 2X10 BLADE SEALED ASSEMBLY MAT SEAL
BOM AND PIN OUT SHEET**

| ASSEMBLY DESCRIPTION | ASSEMBLY PART NUMBER | COMPONENT | | | | BLOCKED TERMINALS | | | | | | | | | | STATUS | COMMENT | OPTIONAL ATTACHMENTS SOLD SEPARATELY | | | | | | | | | | | |
|-----------------------------|----------------------|--|-------------|-----|----------|--|---|---|---|---|---|---|---|---|----|--------|---------|--------------------------------------|------------------------|-----------------------|--------------------------|----|----------|----------|------------|------------|------------|------------|------------|
| | | THE PRESENCE OF AN ABBREVIATION INDICATES THE PRESENCE OF THAT COMPONENT | | | | CAVITY WITH A NUMBER INDICATES BLOCKED TERMINAL POSITION CAVITY WITHOUT A NUMBER INDICATES OPEN TERMINAL POSITION | | | | | | | | | | | | BACKSHELL WITH RIBS | BACKSHELL WITHOUT RIBS | 90° ADAPTOR WITH RIBS | 90° ADAPTOR WITHOUT RIBS | | | | | | | | |
| | | HOUSING KEY/COLOR | GROMMET CAP | PLR | MAT SEAL | 1 | 2 | 3 | 4 | 5 | 6 | 7 | 8 | 9 | 10 | | | | | | | 11 | 12 | 13 | 14 | 15 | 16 | 17 | 18 |
| MX150 ASSY BLD 2X10 BK A/17 | 334822111 | A-BLACK | GCP | PLR | M-B | 1 | 2 | - | - | - | - | - | - | - | - | - | - | - | - | - | - | - | 20 | SALEABLE | | 34950-2011 | 34950-2021 | 34951-1631 | 34951-1641 |
| MX150 ASSY BLD 2X10 BK A/14 | 334822112 | A-BLACK | GCP | PLR | M-B | 1 | 2 | - | - | - | - | - | - | - | - | - | - | - | - | - | - | 10 | SALEABLE | | 34950-2011 | 34950-2021 | 34951-1631 | 34951-1641 | |
| MX150 ASSY BLD 2X10 BK A/12 | 334822113 | A-BLACK | GCP | PLR | M-B | 1 | 2 | - | - | - | - | - | - | - | - | - | - | - | - | - | - | 10 | SALEABLE | | 34950-2011 | 34950-2021 | 34951-1631 | 34951-1641 | |
| MX150 ASSY BLD 2X10 BK A/14 | 334822114 | A-BLACK | GCP | PLR | M-B | - | - | 3 | 4 | 5 | - | - | - | - | - | - | - | - | - | - | - | - | - | SALEABLE | | 34950-2011 | 34950-2021 | 34951-1631 | 34951-1641 |
| MX150 ASSY BLD 2X10 BK A/16 | 334822115 | A-BLACK | GCP | PLR | M-B | - | - | 3 | 4 | 5 | - | - | - | - | - | - | - | - | - | - | - | - | - | SALEABLE | | 34950-2011 | 34950-2021 | 34951-1631 | 34951-1641 |
| MX150 ASSY BLD 2X10 BK A/16 | 334822116 | A-BLACK | GCP | PLR | M-B | - | 2 | - | - | - | - | - | - | - | - | - | - | - | - | - | - | - | - | SALEABLE | | 34950-2011 | 34950-2021 | 34951-1631 | 34951-1641 |
| MX150 ASSY BLD 2X10 BK A/17 | 334822117 | A-BLACK | GCP | PLR | M-B | - | - | - | - | - | - | - | - | - | - | - | - | - | - | - | - | - | - | SALEABLE | | 34950-2011 | 34950-2021 | 34951-1631 | 34951-1641 |
| MX150 ASSY BLD 2X10 BK A/15 | 334822118 | A-BLACK | GCP | PLR | M-B | - | - | - | - | - | - | - | - | - | - | - | - | - | - | - | - | 10 | SALEABLE | | 34950-2011 | 34950-2021 | 34951-1631 | 34951-1641 | |
| MX150 ASSY BLD 2X10 BK A/15 | 334822119 | A-BLACK | GCP | PLR | M-B | - | - | 3 | 4 | - | - | - | - | - | - | - | - | - | - | - | - | - | - | SALEABLE | | 34950-2011 | 34950-2021 | 34951-1631 | 34951-1641 |
| MX150 ASSY BLD 2X10 BK A/12 | 334822120 | A-BLACK | GCP | PLR | M-B | - | - | 3 | 4 | 5 | - | - | - | - | - | - | - | - | - | - | - | - | - | SALEABLE | | 34950-2011 | 34950-2021 | 34951-1631 | 34951-1641 |
| MX150 ASSY BLD 2X10 BK A/9 | 334822121 | A-BLACK | GCP | PLR | M-B | 1 | 2 | 3 | 4 | 5 | - | - | - | - | - | - | - | - | - | - | - | 10 | SALEABLE | | 34950-2011 | 34950-2021 | 34951-1631 | 34951-1641 | |
| MX150 ASSY BLD 2X10 BK A/14 | 334822122 | A-BLACK | GCP | PLR | M-B | - | - | 3 | 4 | - | - | - | - | - | - | - | - | - | - | - | - | 10 | SALEABLE | | 34950-2011 | 34950-2021 | 34951-1631 | 34951-1641 | |
| MX150 ASSY BLD 2X10 BK A/13 | 334822123 | A-BLACK | GCP | PLR | M-B | - | - | - | - | - | - | - | - | - | - | - | - | - | - | - | - | 10 | SALEABLE | | 34950-2011 | 34950-2021 | 34951-1631 | 34951-1641 | |
| MX150 ASSY BLD 2X10 BK A/16 | 334822124 | A-BLACK | GCP | PLR | M-B | - | - | - | - | - | - | - | - | - | - | - | - | - | - | - | - | - | - | SALEABLE | | 34950-2011 | 34950-2021 | 34951-1631 | 34951-1641 |
| MX150 ASSY BLD 2X10 BK A/16 | 334822125 | A-BLACK | GCP | PLR | M-B | - | - | - | - | - | - | - | - | - | - | - | - | - | - | - | - | 10 | SALEABLE | | 34950-2011 | 34950-2021 | 34951-1631 | 34951-1641 | |
| MX150 ASSY BLD 2X10 BK A/13 | 334822126 | A-BLACK | GCP | PLR | M-B | - | - | - | 4 | 5 | - | - | - | - | - | - | - | - | - | - | - | 10 | SALEABLE | | 34950-2011 | 34950-2021 | 34951-1631 | 34951-1641 | |
| MX150 ASSY BLD 2X10 BK A/12 | 334822127 | A-BLACK | GCP | PLR | M-B | - | - | - | 4 | 5 | - | - | - | - | - | - | - | - | - | - | - | 10 | SALEABLE | | 34950-2011 | 34950-2021 | 34951-1631 | 34951-1641 | |
| MX150 ASSY BLD 2X10 BK A/2 | 334822128 | A-BLACK | GCP | PLR | M-B | 1 | - | 3 | 4 | 5 | 6 | 7 | 8 | 9 | 10 | - | - | - | - | - | - | - | - | SALEABLE | | 34950-2011 | 34950-2021 | 34951-1631 | 34951-1641 |
| MX150 ASSY BLD 2X10 BK A/14 | 334822129 | A-BLACK | GCP | PLR | M-B | - | - | - | 4 | 5 | 6 | 7 | - | - | - | - | - | - | - | - | - | - | - | SALEABLE | | 34950-2011 | 34950-2021 | 34951-1631 | 34951-1641 |
| MX150 ASSY BLD 2X10 BK A/12 | 334822130 | A-BLACK | GCP | PLR | M-B | - | - | 3 | 4 | 5 | - | - | - | - | - | - | - | - | - | - | - | - | - | SALEABLE | | 34950-2011 | 34950-2021 | 34951-1631 | 34951-1641 |
| MX150 ASSY BLD 2X10 BK A/17 | 334822131 | A-BLACK | GCP | PLR | M-B | - | - | - | 4 | - | - | 7 | - | - | - | - | - | - | - | - | - | - | - | SALEABLE | | 34950-2011 | 34950-2021 | 34951-1631 | 34951-1641 |
| MX150 ASSY BLD 2X10 BK A/13 | 334822132 | A-BLACK | GCP | PLR | M-B | - | - | 3 | 4 | 5 | - | - | - | - | - | - | - | - | - | - | - | - | - | SALEABLE | | 34950-2011 | 34950-2021 | 34951-1631 | 34951-1641 |
| MX150 ASSY BLD 2X10 BK A/17 | 334822133 | A-BLACK | GCP | PLR | M-B | - | - | - | - | - | - | - | - | - | - | - | - | - | - | - | - | 10 | SALEABLE | | 34950-2011 | 34950-2021 | 34951-1631 | 34951-1641 | |
| MX150 ASSY BLD 2X10 BK A/16 | 334822134 | A-BLACK | GCP | PLR | M-B | - | - | - | - | - | - | - | - | - | - | - | - | - | - | - | - | - | - | SALEABLE | | 34950-2011 | 34950-2021 | 34951-1631 | 34951-1641 |
| MX150 ASSY BLD 2X10 BK A/15 | 334822135 | A-BLACK | GCP | PLR | M-B | - | - | - | - | - | - | - | - | - | - | - | - | - | - | - | - | - | - | SALEABLE | | 34950-2011 | 34950-2021 | 34951-1631 | 34951-1641 |
| MX150 ASSY BLD 2X10 BK A/14 | 334822136 | A-BLACK | GCP | PLR | M-B | - | - | - | - | - | - | 7 | - | 9 | - | - | - | - | - | - | - | - | - | SALEABLE | | 34950-2011 | 34950-2021 | 34951-1631 | 34951-1641 |
| MX150 ASSY BLD 2X10 BK A/18 | 334822137 | A-BLACK | GCP | PLR | M-B | - | - | - | - | - | - | 7 | - | 9 | - | - | - | - | - | - | - | - | - | SALEABLE | | 34950-2011 | 34950-2021 | 34951-1631 | 34951-1641 |

| ASSEMBLY DESCRIPTION | ASSEMBLY PART NUMBER | COMPONENT | | | | BLOCKED TERMINALS | | | | | | | | | | STATUS | COMMENT | OPTIONAL ATTACHMENTS SOLD SEPARATELY | | | |
|-----------------------------|----------------------|--|-------------|-----|----------|--|----|----|----|----|----|----|----|----|----|----------|---------|--------------------------------------|------------------------|-----------------------|--------------------------|
| | | THE PRESENCE OF AN ABBREVIATION INDICATES THE PRESENCE OF THAT COMPONENT | | | | CAVITY WITH A NUMBER INDICATES BLOCKED TERMINAL POSITION CAVITY WITHOUT A NUMBER INDICATES OPEN TERMINAL POSITION | | | | | | | | | | | | BACKSHELL WITH RIBS | BACKSHELL WITHOUT RIBS | 90° ADAPTOR WITH RIBS | 90° ADAPTOR WITHOUT RIBS |
| | | HOUSING KEY/COLOR | GROMMET CAP | PLR | MAT SEAL | 1 | 2 | 3 | 4 | 5 | 6 | 7 | 8 | 9 | 10 | | | | | | |
| MX150 ASSY BLD 2X10 BK A/7 | 334822138 | A-BLACK | GCP | PLR | M-B | 1 | 2 | 3 | 4 | 5 | 6 | 7 | 8 | 9 | 10 | SALEABLE | | 34950-2011 | 34950-2021 | 34951-1631 | 34951-1641 |
| | | | | | | - | 12 | - | - | - | - | 17 | - | 19 | - | | | | | | |
| MX150 ASSY BLD 2X10 BK A/9 | 334822139 | A-BLACK | GCP | PLR | M-B | 1 | 2 | 3 | 4 | 5 | 6 | 7 | 8 | - | 10 | SALEABLE | | 34950-2011 | 34950-2021 | 34951-1631 | 34951-1641 |
| | | | | | | - | - | - | - | - | - | 17 | - | 19 | - | | | | | | |
| MX150 ASSY BLD 2X10 BK A/17 | 334822140 | A-BLACK | GCP | PLR | M-B | - | - | - | - | - | - | 7 | - | - | - | SALEABLE | | 34950-2011 | 34950-2021 | 34951-1631 | 34951-1641 |
| | | | | | | - | - | - | - | - | - | 17 | - | - | 20 | | | | | | |
| MX150 ASSY BLD 2X10 YW A/20 | 334822141 | A-YELLOW | GCO | PLR | M-B | - | - | - | - | - | - | - | - | - | - | SALEABLE | | 34950-2011 | 34950-2021 | 34951-1631 | 34951-1641 |
| | | | | | | - | - | - | - | - | - | - | - | - | - | | | | | | |
| MX150 ASSY BLD 2X10 BK A/15 | 334822142 | A-BLACK | GCP | PLR | M-B | - | - | - | - | - | - | - | - | - | 10 | SALEABLE | | 34950-2011 | 34950-2021 | 34951-1631 | 34951-1641 |
| | | | | | | - | - | - | 14 | - | - | 17 | 18 | 19 | - | | | | | | |
| MX150 ASSY BLD 2X10 BK A/15 | 334822143 | A-BLACK | GCP | PLR | M-B | - | 2 | - | 4 | - | - | - | - | - | - | SALEABLE | | 34950-2011 | 34950-2021 | 34951-1631 | 34951-1641 |
| | | | | | | 11 | 12 | - | 14 | - | - | - | - | - | - | | | | | | |
| MX150 ASSY BLD 2X10 BK A/18 | 334822144 | A-BLACK | GCP | PLR | M-B | - | - | - | - | - | - | - | - | - | - | SALEABLE | | 34950-2011 | 34950-2021 | 34951-1631 | 34951-1641 |
| | | | | | | - | - | - | - | - | - | - | 18 | 19 | - | | | | | | |
| MX150 ASSY BLD 2X10 BK A/18 | 334822145 | A-BLACK | GCP | PLR | M-B | - | - | - | - | - | - | - | - | 9 | 10 | SALEABLE | | 34950-2011 | 34950-2021 | 34951-1631 | 34951-1641 |
| | | | | | | - | - | - | - | - | - | - | - | - | - | | | | | | |
| MX150 ASSY BLD 2X10 BK A/12 | 334822146 | A-BLACK | GCP | PLR | M-B | 1 | - | - | - | - | - | - | - | - | - | SALEABLE | | 34950-2011 | 34950-2021 | 34951-1631 | 34951-1641 |
| | | | | | | - | 12 | - | - | 15 | 16 | 17 | 18 | 19 | 20 | | | | | | |
| MX150 ASSY BLD 2X10 BK A/10 | 334822147 | A-BLACK | GCP | PLR | M-B | - | - | 3 | 4 | 5 | - | - | - | - | 10 | SALEABLE | | 34950-2011 | 34950-2021 | 34951-1631 | 34951-1641 |
| | | | | | | - | - | 13 | 14 | 15 | - | 17 | 18 | 19 | - | | | | | | |
| MX150 ASSY BLD 2X10 BK A/2 | 334822148 | A-BLACK | GCP | PLR | M-B | 1 | 2 | 3 | 4 | 5 | 6 | 7 | 8 | 9 | - | SALEABLE | | 34950-2011 | 34950-2021 | 34951-1631 | 34951-1641 |
| | | | | | | 11 | 12 | 13 | 14 | 15 | 16 | - | 18 | 19 | 20 | | | | | | |
| MX150 ASSY BLD 2X10 BK A/11 | 334822149 | A-BLACK | GCP | PLR | M-B | - | - | 3 | 4 | 5 | 6 | - | 8 | 9 | - | SALEABLE | | 34950-2011 | 34950-2021 | 34951-1631 | 34951-1641 |
| | | | | | | - | - | - | - | - | - | - | 18 | 19 | 20 | | | | | | |
| MX150 ASSY BLD 2X10 BK A/4 | 334822150 | A-BLACK | GCP | PLR | M-B | 1 | 2 | 3 | 4 | 5 | 6 | - | - | - | - | SALEABLE | | 34950-2011 | 34950-2021 | 34951-1631 | 34951-1641 |
| | | | | | | 11 | 12 | 13 | 14 | 15 | 16 | 17 | 18 | 19 | 20 | | | | | | |
| MX150 ASSY BLD 2X10 BK A/10 | 334822151 | A-BLACK | GCP | PLR | M-B | - | - | - | - | - | - | - | - | - | - | SALEABLE | | 34950-2011 | 34950-2021 | 34951-1631 | 34951-1641 |
| | | | | | | 11 | 12 | 13 | 14 | 15 | 16 | 17 | 18 | 19 | 20 | | | | | | |
| MX150 ASSY BLD 2X10 BK A/0 | 334822152 | A-BLACK | GCP | PLR | M-B | 1 | 2 | 3 | 4 | 5 | 6 | 7 | 8 | 9 | 10 | SALEABLE | | 34950-2011 | 34950-2021 | 34951-1631 | 34951-1641 |
| | | | | | | 11 | 12 | 13 | 14 | 15 | 16 | 17 | 18 | 19 | 20 | | | | | | |
| MX150 ASSY BLD 2X10 BK A/14 | 334822153 | A-BLACK | GCP | PLR | M-B | - | - | 3 | - | - | - | - | 8 | 9 | - | SALEABLE | | 34950-2011 | 34950-2021 | 34951-1631 | 34951-1641 |
| | | | | | | - | - | - | - | - | - | - | 18 | 19 | 20 | | | | | | |
| MX150 ASSY BLD 2X10 DG C/20 | 334822154 | C-DARK GRAY | GCO | PLR | M-B | - | - | - | - | - | - | - | - | - | - | SALEABLE | | 34950-2011 | 34950-2021 | 34951-1631 | 34951-1641 |
| | | | | | | - | - | - | - | - | - | - | - | - | - | | | | | | |
| MX150 ASSY BLD 2X10 SG D/20 | 334822155 | D-STONE GRAY | GCO | PLR | M-B | - | - | - | - | - | - | - | - | - | - | SALEABLE | | 34950-2011 | 34950-2021 | 34951-1631 | 34951-1641 |
| | | | | | | - | - | - | - | - | - | - | - | - | - | | | | | | |
| MX150 ASSY BLD 2X10 LG B/16 | 334822156 | B-LIGHT GRAY | GCP | PLR | M-B | - | - | 3 | - | 5 | - | - | - | 9 | 10 | SALEABLE | | 34950-2011 | 34950-2021 | 34951-1631 | 34951-1641 |
| | | | | | | - | - | - | - | - | - | - | - | - | - | | | | | | |
| MX150 ASSY BLD 2X10 LG B/5 | 334822157 | B-LIGHT GRAY | GCP | PLR | M-B | - | - | 3 | 4 | 5 | - | - | - | 9 | 10 | SALEABLE | | 34950-2011 | 34950-2021 | 34951-1631 | 34951-1641 |
| | | | | | | 11 | 12 | 13 | 14 | 15 | 16 | 17 | 18 | 19 | 20 | | | | | | |
| MX150 ASSY BLD 2X10 LG B/12 | 334822158 | B-LIGHT GRAY | GCP | PLR | M-B | - | - | 3 | - | 5 | - | - | - | 9 | 10 | SALEABLE | | 34950-2011 | 34950-2021 | 34951-1631 | 34951-1641 |
| | | | | | | 11 | 12 | 13 | 14 | - | - | - | - | - | - | | | | | | |
| MX150 ASSY BLD 2X10 LG B/11 | 334822159 | B-LIGHT GRAY | GCP | PLR | M-B | - | - | 3 | 4 | 5 | 6 | - | 8 | 9 | 10 | SALEABLE | | 34950-2011 | 34950-2021 | 34951-1631 | 34951-1641 |
| | | | | | | - | - | - | 14 | - | - | - | - | 19 | - | | | | | | |
| MX150 ASSY BLD 2X10 BK A/10 | 334822160 | A-BLACK | GCP | PLR | M-B | - | - | - | 4 | 5 | - | - | 8 | - | - | SALEABLE | | 34950-2011 | 34950-2021 | 34951-1631 | 34951-1641 |
| | | | | | | - | 12 | - | - | 15 | 16 | 17 | 18 | 19 | 20 | | | | | | |
| MX150 ASSY BLD 2X10 BK A/12 | 334822161 | A-BLACK | GCP | PLR | M-B | - | - | - | 4 | 5 | - | - | 8 | - | - | SALEABLE | | 34950-2011 | 34950-2021 | 34951-1631 | 34951-1641 |
| | | | | | | - | 12 | - | - | - | - | 17 | 18 | 19 | 20 | | | | | | |
| MX150 ASSY BLD 2X10 YW A/9 | 334822162 | A-YELLOW | GCP | PLR | M-B | - | - | 3 | - | - | 6 | 7 | 8 | 9 | 10 | SALEABLE | | 34950-2011 | 34950-2021 | 34951-1631 | 34951-1641 |
| | | | | | | 11 | 12 | 13 | 14 | - | - | - | 18 | - | - | | | | | | |
| MX150 ASSY BLD 2X10 YW A/11 | 334822163 | A-YELLOW | GCP | PLR | M-B | - | - | 3 | - | - | 6 | 7 | 8 | 9 | 10 | SALEABLE | | 34950-2011 | 34950-2021 | 34951-1631 | 34951-1641 |
| | | | | | | - | 12 | 13 | 14 | - | - | - | - | - | - | | | | | | |
| MX150 ASSY BLD 2X10 YW A/15 | 334822164 | A-YELLOW | GCP | PLR | M-B | - | - | 3 | - | - | - | 7 | - | - | 10 | SALEABLE | | 34950-2011 | 34950-2021 | 34951-1631 | 34951-1641 |
| | | | | | | - | - | - | 14 | 15 | - | - | - | - | - | | | | | | |

| ASSEMBLY DESCRIPTION | ASSEMBLY PART NUMBER | COMPONENT | | | | BLOCKED TERMINALS | | | | | | | | | | STATUS | COMMENT | OPTIONAL ATTACHMENTS SOLD SEPARATELY | | | | | | | | | | | | | |
|-----------------------------|----------------------|--|-------------|-----|----------|--|---|---|---|---|---|---|---|---|----|--------|---------|--------------------------------------|------------------------|-----------------------|--------------------------|----|----|----|----|----------|----|------------|------------|------------|------------|
| | | THE PRESENCE OF AN ABBREVIATION INDICATES THE PRESENCE OF THAT COMPONENT | | | | CAVITY WITH A NUMBER INDICATES BLOCKED TERMINAL POSITION CAVITY WITHOUT A NUMBER INDICATES OPEN TERMINAL POSITION | | | | | | | | | | | | BACKSHELL WITH RIBS | BACKSHELL WITHOUT RIBS | 90° ADAPTOR WITH RIBS | 90° ADAPTOR WITHOUT RIBS | | | | | | | | | | |
| | | HOUSING KEY/COLOR | GROMMET CAP | PLR | MAT SEAL | 1 | 2 | 3 | 4 | 5 | 6 | 7 | 8 | 9 | 10 | | | | | | | 11 | 12 | 13 | 14 | 15 | 16 | 17 | 18 | 19 | 20 |
| MX150 ASSY BLD 2X10 YW A/2 | 334822165 | A-YELLOW | GCP | PLR | M-B | - | - | 3 | 4 | 5 | 6 | 7 | 8 | 9 | 10 | 11 | 12 | 13 | 14 | 15 | 16 | 17 | 18 | 19 | 20 | SALEABLE | | 34950-2011 | 34950-2021 | 34951-1631 | 34951-1641 |
| MX150 ASSY BLD 2X10 YW A/7 | 334822166 | A-YELLOW | GCP | PLR | M-B | - | - | 3 | 4 | 5 | 6 | 7 | 8 | 9 | 10 | 11 | 12 | 13 | 14 | - | - | - | 18 | - | - | SALEABLE | | 34950-2011 | 34950-2021 | 34951-1631 | 34951-1641 |
| MX150 ASSY BLD 2X10 YW A/14 | 334822167 | A-YELLOW | GCP | PLR | M-B | - | - | 3 | - | - | - | 7 | 8 | 9 | 10 | - | - | - | 14 | - | - | - | - | - | - | SALEABLE | | 34950-2011 | 34950-2021 | 34951-1631 | 34951-1641 |
| MX150 ASSY BLD 2X10 BK A/12 | 334822168 | A-BLACK | GCP | PLR | M-B | - | - | 3 | 4 | 5 | - | 7 | - | - | - | - | - | 13 | - | 15 | - | - | 18 | 19 | - | SALEABLE | | 34950-2011 | 34950-2021 | 34951-1631 | 34951-1641 |
| MX150 ASSY BLD 2X10 BK A/14 | 334822169 | A-BLACK | GCP | PLR | M-B | - | - | - | - | - | - | 7 | - | - | 10 | - | - | - | 14 | - | - | 17 | 18 | 19 | - | SALEABLE | | 34950-2011 | 34950-2021 | 34951-1631 | 34951-1641 |
| MX150 ASSY BLD 2X10 BK A/11 | 334822170 | A-BLACK | GCP | PLR | M-B | - | 2 | 3 | 4 | 5 | - | - | - | - | - | - | - | - | - | - | - | - | - | - | - | SALEABLE | | 34950-2011 | 34950-2021 | 34951-1631 | 34951-1641 |
| MX150 ASSY BLD 2X10 BK A/17 | 334822171 | A-BLACK | GCP | PLR | M-B | - | - | - | - | - | - | - | - | - | - | 11 | - | - | - | - | - | 17 | - | 19 | - | SALEABLE | | 34950-2011 | 34950-2021 | 34951-1631 | 34951-1641 |
| MX150 ASSY BLD 2X10 BK A/9 | 334822172 | A-BLACK | GCP | PLR | M-B | 1 | 2 | 3 | 4 | 5 | 6 | 7 | 8 | - | - | 11 | - | - | - | - | - | 17 | - | 19 | - | SALEABLE | | 34950-2011 | 34950-2021 | 34951-1631 | 34951-1641 |
| MX150 ASSY BLD 2X10 BK A/18 | 334822173 | A-BLACK | GCP | PLR | M-B | - | - | - | - | - | - | - | 8 | - | - | - | - | - | - | 15 | - | - | - | - | - | SALEABLE | | 34950-2011 | 34950-2021 | 34951-1631 | 34951-1641 |
| MX150 ASSY BLD 2X10 BK A/15 | 334822174 | A-BLACK | GCP | PLR | M-B | 1 | - | - | - | - | - | - | 8 | - | 10 | - | - | - | - | 15 | - | 17 | - | - | - | SALEABLE | | 34950-2011 | 34950-2021 | 34951-1631 | 34951-1641 |
| MX150 ASSY BLD 2X10 BK A/14 | 334822175 | A-BLACK | GCP | PLR | M-B | 1 | - | - | - | - | - | - | 8 | 9 | - | 11 | - | - | - | - | - | - | - | 19 | 20 | SALEABLE | | 34950-2011 | 34950-2021 | 34951-1631 | 34951-1641 |
| MX150 ASSY BLD 2X10 BK A/17 | 334822176 | A-BLACK | GCP | PLR | M-B | - | - | - | - | - | - | - | - | - | - | - | - | - | - | - | - | - | - | 19 | 20 | SALEABLE | | 34950-2011 | 34950-2021 | 34951-1631 | 34951-1641 |
| MX150 ASSY BLD 2X10 BK A/16 | 334822177 | A-BLACK | GCP | PLR | M-B | - | - | - | - | - | - | - | - | - | - | - | - | 13 | - | - | 16 | - | - | 19 | 20 | SALEABLE | | 34950-2011 | 34950-2021 | 34951-1631 | 34951-1641 |
| MX150 ASSY BLD 2X10 BK A/18 | 334822178 | A-BLACK | GCP | PLR | M-B | - | - | - | 4 | - | - | - | - | - | - | - | - | - | 14 | - | - | - | - | - | - | SALEABLE | | 34950-2011 | 34950-2021 | 34951-1631 | 34951-1641 |
| MX150 ASSY BLD 2X10 BK A/6 | 334822179 | A-BLACK | GCP | PLR | M-B | - | - | - | 4 | 5 | 6 | 7 | 8 | 9 | 10 | - | - | - | 14 | 15 | 16 | 17 | 18 | 19 | 20 | SALEABLE | | 34950-2011 | 34950-2021 | 34951-1631 | 34951-1641 |
| MX150 ASSY BLD 2X10 BK A/11 | 334822180 | A-BLACK | GCP | PLR | M-B | 1 | - | - | - | - | - | - | 8 | - | 10 | 11 | 12 | 13 | 14 | 15 | - | 17 | - | - | - | SALEABLE | | 34950-2011 | 34950-2021 | 34951-1631 | 34951-1641 |
| MX150 ASSY BLD 2X10 BK A/9 | 334822181 | A-BLACK | GCP | PLR | M-B | 1 | - | 3 | 4 | - | - | - | 8 | 9 | - | 11 | - | 13 | 14 | - | - | - | 18 | 19 | 20 | SALEABLE | | 34950-2011 | 34950-2021 | 34951-1631 | 34951-1641 |
| MX150 ASSY BLD 2X10 BK A/8 | 334822182 | A-BLACK | GCP | PLR | M-B | 1 | - | 3 | 4 | - | - | - | 8 | 9 | 10 | 11 | - | 13 | 14 | - | - | - | 18 | 19 | 20 | SALEABLE | | 34950-2011 | 34950-2021 | 34951-1631 | 34951-1641 |
| MX150 ASSY BLD 2X10 BK A/13 | 334822183 | A-BLACK | GCP | PLR | M-B | 1 | - | - | - | - | - | - | 8 | 9 | 10 | 11 | - | - | - | - | - | - | - | 19 | 20 | SALEABLE | | 34950-2011 | 34950-2021 | 34951-1631 | 34951-1641 |
| MX150 ASSY BLD 2X10 BK A/17 | 334822184 | A-BLACK | GCP | PLR | M-B | 1 | - | - | - | - | - | - | - | 9 | - | - | 12 | - | - | - | - | - | - | - | - | SALEABLE | | 34950-2011 | 34950-2021 | 34951-1631 | 34951-1641 |
| MX150 ASSY BLD 2X10 BK A/18 | 334822185 | A-BLACK | GCP | PLR | M-B | 1 | - | - | - | - | - | - | - | - | - | - | - | - | - | - | - | - | - | 19 | - | SALEABLE | | 34950-2011 | 34950-2021 | 34951-1631 | 34951-1641 |
| MX150 ASSY BLD 2X10 BK A/14 | 334822186 | A-BLACK | GCP | PLR | M-B | - | 2 | 3 | - | 5 | - | - | - | - | - | - | - | - | 14 | - | - | - | - | 19 | 20 | SALEABLE | | 34950-2011 | 34950-2021 | 34951-1631 | 34951-1641 |
| MX150 ASSY BLD 2X10 BK A/16 | 334822187 | A-BLACK | GCP | PLR | M-B | 1 | - | - | - | - | - | - | - | - | - | - | 12 | 13 | - | - | - | - | - | 19 | - | SALEABLE | | 34950-2011 | 34950-2021 | 34951-1631 | 34951-1641 |
| MX150 ASSY BLD 2X10 BK A/11 | 334822188 | A-BLACK | GCP | PLR | M-B | 1 | - | - | - | 5 | 6 | 7 | 8 | - | - | - | 12 | 13 | - | 15 | - | - | - | 19 | - | SALEABLE | | 34950-2011 | 34950-2021 | 34951-1631 | 34951-1641 |
| MX150 ASSY BLD 2X10 BK A/5 | 334822189 | A-BLACK | GCP | PLR | M-B | 1 | 2 | 3 | 4 | 5 | 6 | 7 | 8 | 9 | - | - | 12 | 13 | 14 | 15 | 16 | - | - | 19 | - | SALEABLE | | 34950-2011 | 34950-2021 | 34951-1631 | 34951-1641 |
| MX150 ASSY BLD 2X10 BK A/2 | 334822190 | A-BLACK | GCP | PLR | M-B | 1 | 2 | 3 | 4 | 5 | 6 | 7 | 8 | 9 | 10 | 11 | 12 | 13 | 14 | 15 | 16 | - | - | 19 | 20 | SALEABLE | | 34950-2011 | 34950-2021 | 34951-1631 | 34951-1641 |
| MX150 ASSY BLD 2X10 BK A/8 | 334822191 | A-BLACK | GCP | PLR | M-B | 1 | 2 | 3 | 4 | 5 | 6 | - | 8 | - | 10 | - | - | 13 | - | - | 16 | - | - | 19 | 20 | SALEABLE | | 34950-2011 | 34950-2021 | 34951-1631 | 34951-1641 |

| ASSEMBLY DESCRIPTION | ASSEMBLY PART NUMBER | COMPONENT | | | | BLOCKED TERMINALS | | | | | | | | | | STATUS | COMMENT | OPTIONAL ATTACHMENTS SOLD SEPARATELY | | | | | |
|-----------------------------|----------------------|--|-------------|-----|----------|--|----|----|----|----|----|----|----|----|----|----------|---------|--------------------------------------|------------------------|-----------------------|--------------------------|----|----|
| | | THE PRESENCE OF AN ABBREVIATION INDICATES THE PRESENCE OF THAT COMPONENT | | | | CAVITY WITH A NUMBER INDICATES BLOCKED TERMINAL POSITION CAVITY WITHOUT A NUMBER INDICATES OPEN TERMINAL POSITION | | | | | | | | | | | | BACKSHELL WITH RIBS | BACKSHELL WITHOUT RIBS | 90° ADAPTOR WITH RIBS | 90° ADAPTOR WITHOUT RIBS | | |
| | | HOUSING KEY/COLOR | GROMMET CAP | PLR | MAT SEAL | 1 | 2 | 3 | 4 | 5 | 6 | 7 | 8 | 9 | 10 | | | | | | | 11 | 12 |
| MX150 ASSY BLD 2X10 BK A/14 | 334822192 | A-BLACK | GCP | PLR | M-B | - | 2 | - | - | - | - | - | 8 | - | - | SALEABLE | | 34950-2011 | 34950-2021 | 34951-1631 | 34951-1641 | | |
| MX150 ASSY BLD 2X10 BK A/6 | 334822193 | A-BLACK | GCP | PLR | M-B | 1 | 2 | 3 | 4 | 5 | 6 | 7 | 8 | 9 | 10 | SALEABLE | | 34950-2011 | 34950-2021 | 34951-1631 | 34951-1641 | | |
| MX150 ASSY BLD 2X10 BK A/7 | 334822194 | A-BLACK | GCP | PLR | M-B | 1 | 2 | 3 | 4 | 5 | 6 | - | 8 | 9 | 10 | SALEABLE | | 34950-2011 | 34950-2021 | 34951-1631 | 34951-1641 | | |
| MX150 ASSY BLD 2X10 BK A/15 | 334822195 | A-BLACK | GCP | PLR | M-B | - | 2 | - | - | - | - | - | - | - | - | SALEABLE | | 34950-2011 | 34950-2021 | 34951-1631 | 34951-1641 | | |
| MX150 ASSY BLD 2X10 LG B/9 | 334822196 | B-LIGHT GRAY | GCP | PLR | M-B | 1 | 2 | 3 | 4 | 5 | 6 | 7 | 8 | - | - | SALEABLE | | 34950-2011 | 34950-2021 | 34951-1631 | 34951-1641 | | |
| MX150 ASSY BLD 2X10 LG B/17 | 334822197 | B-LIGHT GRAY | GCP | PLR | M-B | 11 | - | - | - | - | - | 17 | - | 19 | - | SALEABLE | | 34950-2011 | 34950-2021 | 34951-1631 | 34951-1641 | | |
| MX150 ASSY BLD 2X10 BK A/12 | 334822198 | A-BLACK | GCP | PLR | M-B | 1 | 2 | 3 | - | - | - | 7 | - | 9 | - | SALEABLE | | 34950-2011 | 34950-2021 | 34951-1631 | 34951-1641 | | |
| MX150 ASSY BLD 2X10 BK A/6 | 334822199 | A-BLACK | GCP | PLR | M-B | 1 | 2 | 3 | 4 | 5 | - | 7 | 8 | 9 | - | SALEABLE | | 34950-2011 | 34950-2021 | 34951-1631 | 34951-1641 | | |
| MX150 ASSY BLD 2X10 BK A/8 | 334822200 | A-BLACK | GCP | PLR | M-B | 11 | 12 | - | 14 | - | - | 17 | 18 | 19 | 20 | SALEABLE | | 34950-2011 | 34950-2021 | 34951-1631 | 34951-1641 | | |
| MX150 ASSY BLD 2X10 BK A/12 | 334822201 | A-BLACK | GCP | PLR | M-B | 11 | - | - | - | 15 | - | - | - | 19 | 20 | SALEABLE | | 34950-2011 | 34950-2021 | 34951-1631 | 34951-1641 | | |
| MX150 ASSY BLD 2X10 BK A/12 | 334822202 | A-BLACK | GCP | PLR | M-B | - | 2 | 3 | 4 | 5 | - | - | 8 | 9 | - | SALEABLE | | 34950-2011 | 34950-2021 | 34951-1631 | 34951-1641 | | |
| MX150 ASSY BLD 2X10 BK A/14 | 334822203 | A-BLACK | GCP | PLR | M-B | 1 | 2 | 3 | - | - | - | - | - | 9 | - | SALEABLE | | 34950-2011 | 34950-2021 | 34951-1631 | 34951-1641 | | |
| MX150 ASSY BLD 2X10 BK A/11 | 334822204 | A-BLACK | GCP | PLR | M-B | - | - | - | 4 | 5 | 6 | - | - | - | - | SALEABLE | | 34950-2011 | 34950-2021 | 34951-1631 | 34951-1641 | | |
| MX150 ASSY BLD 2X10 LG B/12 | 334822205 | B-LIGHT GRAY | GCP | PLR | M-B | - | - | 3 | 4 | 5 | - | - | 8 | 9 | 10 | SALEABLE | | 34950-2011 | 34950-2021 | 34951-1631 | 34951-1641 | | |
| MX150 ASSY BLD 2X10 BK A/10 | 334822206 | A-BLACK | GCP | PLR | M-B | 1 | 2 | 3 | 4 | 5 | 6 | - | - | - | - | SALEABLE | | 34950-2011 | 34950-2021 | 34951-1631 | 34951-1641 | | |
| MX150 ASSY BLD 2X10 LG B/15 | 334822207 | B-LIGHT GRAY | GCP | PLR | M-B | - | - | - | 4 | 5 | 6 | - | - | 9 | 10 | SALEABLE | | 34950-2011 | 34950-2021 | 34951-1631 | 34951-1641 | | |
| MX150 ASSY BLD 2X10 LG B/17 | 334822208 | B-LIGHT GRAY | GCP | PLR | M-B | 11 | - | - | - | - | - | - | - | - | - | SALEABLE | | 34950-2011 | 34950-2021 | 34951-1631 | 34951-1641 | | |
| MX150 ASSY BLD 2X10 LG B/13 | 334822209 | B-LIGHT GRAY | GCP | PLR | M-B | - | - | - | 4 | 5 | 6 | 7 | - | - | 10 | SALEABLE | | 34950-2011 | 34950-2021 | 34951-1631 | 34951-1641 | | |
| MX150 ASSY BLD 2X10 BK A/13 | 334822210 | A-BLACK | GCP | PLR | M-B | 1 | - | - | - | - | - | - | - | 9 | 10 | SALEABLE | | 34950-2011 | 34950-2021 | 34951-1631 | 34951-1641 | | |
| MX150 ASSY BLD 2X10 BK A/12 | 334822211 | A-BLACK | GCP | PLR | M-B | 11 | 12 | - | - | - | 16 | - | - | - | 20 | SALEABLE | | 34950-2011 | 34950-2021 | 34951-1631 | 34951-1641 | | |
| MX150 ASSY BLD 2X10 BK A/17 | 334822213 | A-BLACK | GCP | PLR | M-B | 1 | 2 | - | - | - | - | 7 | - | - | 10 | SALEABLE | | 34950-2011 | 34950-2021 | 34951-1631 | 34951-1641 | | |
| MX150 ASSY BLD 2X10 BK A/19 | 334822214 | A-BLACK | GCP | PLR | M-B | 11 | 12 | - | - | - | - | - | 18 | - | 20 | SALEABLE | | 34950-2011 | 34950-2021 | 34951-1631 | 34951-1641 | | |
| MX150 ASSY BLD 2X10 BK A/15 | 334822215 | A-BLACK | GCP | PLR | M-B | - | - | 13 | - | - | - | - | - | 19 | 20 | SALEABLE | | 34950-2011 | 34950-2021 | 34951-1631 | 34951-1641 | | |
| MX150 ASSY BLD 2X10 BK A/18 | 334822216 | A-BLACK | GCP | PLR | M-B | - | - | - | - | - | - | - | - | - | - | SALEABLE | | 34950-2011 | 34950-2021 | 34951-1631 | 34951-1641 | | |
| MX150 ASSY BLD 2X10 BK A/16 | 334822217 | A-BLACK | GCP | PLR | M-B | - | 2 | - | - | - | - | 8 | - | 10 | - | SALEABLE | | 34950-2011 | 34950-2021 | 34951-1631 | 34951-1641 | | |
| MX150 ASSY BLD 2X10 BK A/12 | 334822218 | A-BLACK | GCP | PLR | M-B | - | - | - | - | - | - | 17 | - | 19 | - | SALEABLE | | 34950-2011 | 34950-2021 | 34951-1631 | 34951-1641 | | |
| MX150 ASSY BLD 2X10 BK A/18 | 334822219 | A-BLACK | GCP | PLR | M-B | - | - | - | - | - | 16 | - | - | - | 20 | SALEABLE | | 34950-2011 | 34950-2021 | 34951-1631 | 34951-1641 | | |

**MX150 2X10 BLADE SEALED ASSEMBLY MAT SEAL
BOM AND PIN OUT SHEET**

| ASSEMBLY DESCRIPTION | ASSEMBLY PART NUMBER | COMPONENT | | | | BLOCKED TERMINALS | | | | | | | | | | STATUS | COMMENT | OPTIONAL ATTACHMENTS SOLD SEPARATELY | | | | | |
|-----------------------------|----------------------|--|-------------|-----|----------|--|---|---|---|---|---|---|---|---|----|----------|---------|--------------------------------------|------------------------|-----------------------|--------------------------|----|----|
| | | THE PRESENCE OF AN ABBREVIATION INDICATES THE PRESENCE OF THAT COMPONENT | | | | CAVITY WITH A NUMBER INDICATES BLOCKED TERMINAL POSITION CAVITY WITHOUT A NUMBER INDICATES OPEN TERMINAL POSITION | | | | | | | | | | | | BACKSHELL WITH RIBS | BACKSHELL WITHOUT RIBS | 90° ADAPTOR WITH RIBS | 90° ADAPTOR WITHOUT RIBS | | |
| | | HOUSING KEY/COLOR | GROMMET CAP | PLR | MAT SEAL | 1 | 2 | 3 | 4 | 5 | 6 | 7 | 8 | 9 | 10 | | | | | | | 11 | 12 |
| MX150 ASSY BLD 2X10 BK A/10 | 334822220 | A-BLACK | GCP | PLR | M-B | 1 | - | 3 | - | 5 | - | 7 | - | 9 | - | SALEABLE | | 34950-2011 | 34950-2021 | 34951-1631 | 34951-1641 | | |
| MX150 ASSY BLD 2X10 BK A/10 | 334822221 | A-BLACK | GCP | PLR | M-B | - | 2 | - | 4 | - | 6 | - | 8 | - | 10 | SALEABLE | | 34950-2011 | 34950-2021 | 34951-1631 | 34951-1641 | | |
| MX150 ASSY BLD 2X10 BK A/14 | 334822222 | A-BLACK | GCP | PLR | M-B | 1 | 2 | 3 | - | - | - | - | - | 9 | - | SALEABLE | | 34950-2011 | 34950-2021 | 34951-1631 | 34951-1641 | | |
| MX150 ASSY BLD 2X10 BK A/17 | 334822223 | A-BLACK | GCP | PLR | M-B | - | - | - | - | - | 7 | - | - | - | - | SALEABLE | | 34950-2011 | 34950-2021 | 34951-1631 | 34951-1641 | | |
| MX150 ASSY BLD 2X10 BK A/15 | 334822224 | A-BLACK | GCP | PLR | M-B | - | - | - | - | - | - | - | - | - | 10 | SALEABLE | | 34950-2011 | 34950-2021 | 34951-1631 | 34951-1641 | | |
| MX150 ASSY BLD 2X10 BK A/8 | 334822225 | A-BLACK | GCP | PLR | M-B | 1 | 2 | 3 | 4 | 5 | 6 | - | 8 | - | 10 | SALEABLE | | 34950-2011 | 34950-2021 | 34951-1631 | 34951-1641 | | |
| MX150 ASSY BLD 2X10 LG B/16 | 334822226 | B-LIGHT GRAY | GCP | PLR | M-B | - | - | - | - | - | - | - | - | - | - | SALEABLE | | 34950-2011 | 34950-2021 | 34951-1631 | 34951-1641 | | |
| MX150 ASSY BLD 2X10 BK A/12 | 334822227 | A-BLACK | GCP | PLR | M-B | - | - | 3 | - | - | - | - | - | - | 10 | SALEABLE | | 34950-2011 | 34950-2021 | 34951-1631 | 34951-1641 | | |
| MX150 ASSY BLD 2X10 BK A/6 | 334822228 | A-BLACK | GCP | PLR | M-B | - | - | 3 | 4 | 5 | 6 | 7 | 8 | 9 | 10 | SALEABLE | | 34950-2011 | 34950-2021 | 34951-1631 | 34951-1641 | | |
| MX150 ASSY BLD 2X10 BK A/7 | 334822229 | A-BLACK | GCP | PLR | M-B | - | - | 3 | 4 | 5 | 6 | 7 | 8 | 9 | 10 | SALEABLE | | 34950-2011 | 34950-2021 | 34951-1631 | 34951-1641 | | |
| MX150 ASSY BLD 2X10 BK A/13 | 334822230 | A-BLACK | GCP | PLR | M-B | - | - | 3 | - | - | - | - | - | - | 10 | SALEABLE | | 34950-2011 | 34950-2021 | 34951-1631 | 34951-1641 | | |
| MX150 ASSY BLD 2X10 BK A/10 | 334822231 | A-BLACK | GCP | PLR | M-B | 1 | 2 | 3 | 4 | 5 | 6 | - | 8 | - | 10 | SALEABLE | | 34950-2011 | 34950-2021 | 34951-1631 | 34951-1641 | | |
| MX150 ASSY BLD 2X10 BK A/18 | 334822232 | A-BLACK | GCP | PLR | M-B | - | - | - | - | - | - | - | - | - | - | SALEABLE | | 34950-2011 | 34950-2021 | 34951-1631 | 34951-1641 | | |
| MX150 ASSY BLD 2X10 LG B/7 | 334822233 | B-LIGHT GRAY | GCP | PLR | M-B | 1 | 2 | 3 | 4 | 5 | 6 | 7 | 8 | - | - | SALEABLE | | 34950-2011 | 34950-2021 | 34951-1631 | 34951-1641 | | |
| MX150 ASSY BLD 2X10 LG B/15 | 334822234 | B-LIGHT GRAY | GCP | PLR | M-B | - | - | - | - | - | - | - | - | - | - | SALEABLE | | 34950-2011 | 34950-2021 | 34951-1631 | 34951-1641 | | |
| MX150 ASSY BLD 2X10 LG B/15 | 334822235 | B-LIGHT GRAY | GCP | PLR | M-B | - | 2 | 3 | - | - | - | - | - | - | - | SALEABLE | | 34950-2011 | 34950-2021 | 34951-1631 | 34951-1641 | | |
| MX150 ASSY BLD 2X10 BK A/8 | 334822236 | A-BLACK | GCP | PLR | M-B | - | - | 3 | 4 | - | 6 | 7 | 8 | 9 | - | SALEABLE | | 34950-2011 | 34950-2021 | 34951-1631 | 34951-1641 | | |
| MX150 ASSY BLD 2X10 BK A/13 | 334822237 | A-BLACK | GCP | PLR | M-B | - | - | 3 | 4 | 5 | 6 | 7 | - | - | - | SALEABLE | | 34950-2011 | 34950-2021 | 34951-1631 | 34951-1641 | | |
| MX150 ASSY BLD 2X10 BK A/17 | 334822238 | A-BLACK | GCP | PLR | M-B | - | - | - | - | 5 | - | - | - | - | - | SALEABLE | | 34950-2011 | 34950-2021 | 34951-1631 | 34951-1641 | | |
| MX150 ASSY BLD 2X10 BK A/11 | 334822239 | A-BLACK | GCP | PLR | M-B | - | - | 3 | 4 | 5 | 6 | 7 | - | - | 10 | SALEABLE | | 34950-2011 | 34950-2021 | 34951-1631 | 34951-1641 | | |
| MX150 ASSY BLD 2X10 BK A/15 | 334822240 | A-BLACK | GCP | PLR | M-B | - | - | - | - | 5 | - | - | - | - | 10 | SALEABLE | | 34950-2011 | 34950-2021 | 34951-1631 | 34951-1641 | | |
| MX150 ASSY BLD 2X10 BK A/6 | 334822241 | A-BLACK | GCP | PLR | M-B | - | - | 3 | 4 | - | 6 | 7 | 8 | 9 | 10 | SALEABLE | | 34950-2011 | 34950-2021 | 34951-1631 | 34951-1641 | | |
| MX150 ASSY BLD 2X10 BK A/12 | 334822242 | A-BLACK | GCP | PLR | M-B | 1 | 2 | 3 | 4 | 5 | 6 | - | 8 | - | 10 | SALEABLE | | 34950-2011 | 34950-2021 | 34951-1631 | 34951-1641 | | |
| MX150 ASSY BLD 2X10 BK A/6 | 334822243 | A-BLACK | GCP | PLR | M-B | 1 | 2 | 3 | - | - | - | - | 8 | 9 | - | SALEABLE | | 34950-2011 | 34950-2021 | 34951-1631 | 34951-1641 | | |
| MX150 ASSY BLD 2X10 BK A/4 | 334822244 | A-BLACK | GCP | PLR | M-B | 1 | 2 | 3 | - | - | - | 7 | 8 | 9 | 10 | SALEABLE | | 34950-2011 | 34950-2021 | 34951-1631 | 34951-1641 | | |
| MX150 ASSY BLD 2X10 BK A/6 | 334822245 | A-BLACK | GCP | PLR | M-B | - | 2 | 3 | - | - | - | 7 | 8 | 9 | 10 | SALEABLE | | 34950-2011 | 34950-2021 | 34951-1631 | 34951-1641 | | |
| MX150 ASSY BLD 2X10 BK A/4 | 334822246 | A-BLACK | GCP | PLR | M-B | 1 | 2 | 3 | 4 | 5 | - | - | 8 | 9 | - | SALEABLE | | 34950-2011 | 34950-2021 | 34951-1631 | 34951-1641 | | |



**MX150 2X10 BLADE SEALED ASSEMBLY MAT SEAL
BOM AND PIN OUT SHEET**

| ASSEMBLY DESCRIPTION | ASSEMBLY PART NUMBER | COMPONENT | | | | BLOCKED TERMINALS | | | | | | | | | | STATUS | COMMENT | OPTIONAL ATTACHMENTS SOLD SEPARATELY | | | |
|-----------------------------|----------------------|--|-------------|-----|----------|--|----|----|----|----|----|----|----|----|----|----------|---------|--------------------------------------|------------------------|-----------------------|--------------------------|
| | | THE PRESENCE OF AN ABBREVIATION INDICATES THE PRESENCE OF THAT COMPONENT | | | | CAVITY WITH A NUMBER INDICATES BLOCKED TERMINAL POSITION CAVITY WITHOUT A NUMBER INDICATES OPEN TERMINAL POSITION | | | | | | | | | | | | BACKSHELL WITH RIBS | BACKSHELL WITHOUT RIBS | 90° ADAPTOR WITH RIBS | 90° ADAPTOR WITHOUT RIBS |
| | | HOUSING KEY/COLOR | GROMMET CAP | PLR | MAT SEAL | 1 | 2 | 3 | 4 | 5 | - | 7 | 8 | 9 | 10 | | | | | | |
| MX150 ASSY BLD 2X10 BK A/2 | 334822247 | A-BLACK | GCP | PLR | M-B | 1 | 2 | 3 | 4 | 5 | - | 7 | 8 | 9 | 10 | SALEABLE | | 34950-2011 | 34950-2021 | 34951-1631 | 34951-1641 |
| | | | | | | - | 12 | 13 | 14 | 15 | 16 | 17 | 18 | 19 | 20 | | | | | | |
| MX150 ASSY BLD 2X10 BK A/10 | 334822248 | A-BLACK | GCP | PLR | M-B | - | 2 | - | - | - | - | - | 8 | - | - | SALEABLE | | 34950-2011 | 34950-2021 | 34951-1631 | 34951-1641 |
| | | | | | | - | 12 | 13 | 14 | 15 | - | 17 | 18 | 19 | 20 | | | | | | |
| MX150 ASSY BLD 2X10 BK A/14 | 334822249 | A-BLACK | GCP | PLR | M-B | - | 2 | - | - | - | - | - | 8 | - | - | SALEABLE | | 34950-2011 | 34950-2021 | 34951-1631 | 34951-1641 |
| | | | | | | - | - | - | - | - | - | 17 | 18 | 19 | 20 | | | | | | |
| MX150 ASSY BLD 2X10 BK A/12 | 334822250 | A-BLACK | GCP | PLR | M-B | - | - | - | - | - | - | - | - | - | - | SALEABLE | | 34950-2011 | 34950-2021 | 34951-1631 | 34951-1641 |
| | | | | | | - | 12 | 13 | 14 | 15 | - | 17 | 18 | 19 | 20 | | | | | | |
| MX150 ASSY BLD 2X10 BK A/8 | 334822251 | A-BLACK | GCP | PLR | M-B | 1 | 2 | 3 | 4 | 5 | 6 | 7 | 8 | - | - | SALEABLE | | 34950-2011 | 34950-2021 | 34951-1631 | 34951-1641 |
| | | | | | | - | - | - | - | - | - | 17 | 18 | 19 | 20 | | | | | | |
| MX150 ASSY BLD 2X10 BK A/4 | 334822252 | A-BLACK | GCP | PLR | M-B | 1 | 2 | 3 | 4 | 5 | 6 | 7 | 8 | - | - | SALEABLE | | 34950-2011 | 34950-2021 | 34951-1631 | 34951-1641 |
| | | | | | | - | 12 | 13 | 14 | 15 | - | 17 | 18 | 19 | 20 | | | | | | |
| MX150 ASSY BLD 2X10 BK A/11 | 334822253 | A-BLACK | GCP | PLR | M-B | 1 | 2 | 3 | - | - | - | - | - | 9 | 10 | SALEABLE | | 34950-2011 | 34950-2021 | 34951-1631 | 34951-1641 |
| | | | | | | 11 | 12 | - | - | - | 16 | - | - | - | 20 | | | | | | |
| MX150 ASSY BLD 2X10 BK A/13 | 334822254 | A-BLACK | GCP | PLR | M-B | 1 | - | - | - | - | - | - | - | 9 | 10 | SALEABLE | | 34950-2011 | 34950-2021 | 34951-1631 | 34951-1641 |
| | | | | | | 11 | - | - | - | - | 16 | - | - | 19 | 20 | | | | | | |
| MX150 ASSY BLD 2X10 BK A/7 | 334822255 | A-BLACK | GCP | PLR | M-B | 1 | 2 | 3 | 4 | 5 | - | 7 | 8 | 9 | - | SALEABLE | | 34950-2011 | 34950-2021 | 34951-1631 | 34951-1641 |
| | | | | | | - | - | - | - | - | 16 | 17 | 18 | 19 | 20 | | | | | | |
| MX150 ASSY BLD 2X10 BK A/9 | 334822256 | A-BLACK | GCP | PLR | M-B | 1 | 2 | 3 | - | - | - | 7 | - | 9 | - | SALEABLE | | 34950-2011 | 34950-2021 | 34951-1631 | 34951-1641 |
| | | | | | | - | - | 13 | 14 | 15 | 16 | - | - | 19 | 20 | | | | | | |
| MX150 ASSY BLD 2X10 BK A/9 | 334822257 | A-BLACK | GCP | PLR | M-B | 1 | 2 | 3 | 4 | 5 | - | 7 | 8 | 9 | - | SALEABLE | | 34950-2011 | 34950-2021 | 34951-1631 | 34951-1641 |
| | | | | | | - | - | - | - | - | 16 | - | - | 19 | 20 | | | | | | |
| MX150 ASSY BLD 2X10 BK A/9 | 334822258 | A-BLACK | GCP | PLR | M-B | 1 | 2 | 3 | - | - | - | 7 | - | 9 | 10 | SALEABLE | | 34950-2011 | 34950-2021 | 34951-1631 | 34951-1641 |
| | | | | | | 11 | 12 | - | - | - | 16 | - | - | 19 | 20 | | | | | | |
| MX150 ASSY BLD 2X10 BK A/10 | 334822259 | A-BLACK | GCP | PLR | M-B | 1 | 2 | 3 | 4 | 5 | 6 | - | 8 | 9 | - | SALEABLE | | 34950-2011 | 34950-2021 | 34951-1631 | 34951-1641 |
| | | | | | | - | - | - | - | - | 16 | - | - | - | 20 | | | | | | |
| MX150 ASSY BLD 2X10 BK A/7 | 334822260 | A-BLACK | GCP | PLR | M-B | 1 | 2 | 3 | - | - | 6 | - | - | 9 | 10 | SALEABLE | | 34950-2011 | 34950-2021 | 34951-1631 | 34951-1641 |
| | | | | | | 11 | 12 | 13 | 14 | 15 | 16 | - | - | - | 20 | | | | | | |
| MX150 ASSY BLD 2X10 BK A/14 | 334822261 | A-BLACK | GCP | PLR | M-B | - | 2 | - | - | - | - | - | 8 | - | 10 | SALEABLE | | 34950-2011 | 34950-2021 | 34951-1631 | 34951-1641 |
| | | | | | | 11 | - | - | - | 15 | 16 | - | - | - | - | | | | | | |
| MX150 ASSY BLD 2X10 BK A/18 | 334822262 | A-BLACK | GCP | PLR | M-B | - | 2 | - | - | - | - | - | 8 | - | - | SALEABLE | | 34950-2011 | 34950-2021 | 34951-1631 | 34951-1641 |
| | | | | | | - | - | - | - | - | - | - | - | - | - | | | | | | |
| MX150 ASSY BLD 2X10 BK A/7 | 334822263 | A-BLACK | GCP | PLR | M-B | 1 | 2 | 3 | 4 | 5 | 6 | 7 | 8 | - | 10 | SALEABLE | | 34950-2011 | 34950-2021 | 34951-1631 | 34951-1641 |
| | | | | | | - | - | - | 14 | 15 | - | 17 | - | 19 | - | | | | | | |
| MX150 ASSY BLD 2X10 BK A/19 | 334822264 | A-BLACK | GCP | PLR | M-B | - | - | - | - | 5 | - | - | - | - | - | SALEABLE | | 34950-2011 | 34950-2021 | 34951-1631 | 34951-1641 |
| | | | | | | - | - | - | - | - | - | - | - | - | - | | | | | | |
| MX150 ASSY BLD 2X10 BK A/18 | 334822265 | A-BLACK | GCP | PLR | M-B | - | - | - | - | - | - | - | - | - | - | SALEABLE | | 34950-2011 | 34950-2021 | 34951-1631 | 34951-1641 |
| | | | | | | - | - | - | - | - | - | 17 | 18 | - | - | | | | | | |
| MX150 ASSY BLD 2X10 BK A/14 | 334822266 | A-BLACK | GCP | PLR | M-B | - | - | 3 | - | - | - | - | - | - | - | SALEABLE | | 34950-2011 | 34950-2021 | 34951-1631 | 34951-1641 |
| | | | | | | - | - | - | - | - | 16 | 17 | 18 | 19 | 20 | | | | | | |
| MX150 ASSY BLD 2X10 BK A/9 | 334822267 | A-BLACK | GCP | PLR | M-B | 1 | - | 3 | - | - | - | 7 | - | - | 10 | SALEABLE | | 34950-2011 | 34950-2021 | 34951-1631 | 34951-1641 |
| | | | | | | - | 12 | 13 | 14 | 15 | - | 17 | 18 | 19 | - | | | | | | |
| MX150 ASSY BLD 2X10 BK A/13 | 334822268 | A-BLACK | GCP | PLR | M-B | 1 | - | - | - | - | - | 7 | - | - | 10 | SALEABLE | | 34950-2011 | 34950-2021 | 34951-1631 | 34951-1641 |
| | | | | | | - | 12 | 13 | - | - | - | 17 | 18 | - | - | | | | | | |
| MX150 ASSY BLD 2X10 BK A/10 | 334822269 | A-BLACK | GCP | PLR | M-B | 1 | 2 | - | - | - | - | - | 8 | 9 | 10 | SALEABLE | | 34950-2011 | 34950-2021 | 34951-1631 | 34951-1641 |
| | | | | | | - | 12 | 13 | - | - | 16 | 17 | 18 | - | - | | | | | | |
| MX150 ASSY BLD 2X10 BK A/8 | 334822270 | A-BLACK | GCP | PLR | M-B | 1 | 2 | - | 4 | 5 | - | - | 8 | 9 | 10 | SALEABLE | | 34950-2011 | 34950-2021 | 34951-1631 | 34951-1641 |
| | | | | | | - | 12 | 13 | - | - | 16 | 17 | 18 | - | - | | | | | | |
| MX150 ASSY BLD 2X10 BK A/6 | 334822271 | A-BLACK | GCP | PLR | M-B | 1 | 2 | 3 | - | - | - | - | 8 | 9 | 10 | SALEABLE | | 34950-2011 | 34950-2021 | 34951-1631 | 34951-1641 |
| | | | | | | - | 12 | 13 | 14 | 15 | 16 | 17 | 18 | 19 | - | | | | | | |
| MX150 ASSY BLD 2X10 BK A/4 | 334822272 | A-BLACK | GCP | PLR | M-B | 1 | 2 | 3 | 4 | 5 | - | - | 8 | 9 | 10 | SALEABLE | | 34950-2011 | 34950-2021 | 34951-1631 | 34951-1641 |
| | | | | | | - | 12 | 13 | 14 | 15 | 16 | 17 | 18 | 19 | - | | | | | | |
| MX150 ASSY BLD 2X10 BK A/8 | 334822273 | A-BLACK | GCP | PLR | M-B | 1 | 2 | - | - | - | - | 7 | 8 | 9 | 10 | SALEABLE | | 34950-2011 | 34950-2021 | 34951-1631 | 34951-1641 |
| | | | | | | - | 12 | 13 | - | - | 16 | 17 | 18 | - | 20 | | | | | | |

**MX150 2X10 BLADE SEALED ASSEMBLY MAT SEAL
BOM AND PIN OUT SHEET**

| ASSEMBLY DESCRIPTION | ASSEMBLY PART NUMBER | COMPONENT | | | | BLOCKED TERMINALS | | | | | | | | | | STATUS | COMMENT | OPTIONAL ATTACHMENTS SOLD SEPARATELY | | | |
|-----------------------------|----------------------|--|-------------|-----|----------|--|---|---|---|---|---|---|---|---|----|----------|---------|--------------------------------------|------------------------|-----------------------|--------------------------|
| | | THE PRESENCE OF AN ABBREVIATION INDICATES THE PRESENCE OF THAT COMPONENT | | | | CAVITY WITH A NUMBER INDICATES BLOCKED TERMINAL POSITION CAVITY WITHOUT A NUMBER INDICATES OPEN TERMINAL POSITION | | | | | | | | | | | | BACKSHELL WITH RIBS | BACKSHELL WITHOUT RIBS | 90° ADAPTOR WITH RIBS | 90° ADAPTOR WITHOUT RIBS |
| | | HOUSING KEY/COLOR | GROMMET CAP | PLR | MAT SEAL | 1 | 2 | 3 | - | - | - | 7 | 8 | 9 | 10 | | | | | | |
| MX150 ASSY BLD 2X10 BK A/6 | 334822274 | A-BLACK | GCP | PLR | M-B | 1 | 2 | 3 | - | - | - | 7 | 8 | 9 | 10 | SALEABLE | | 34950-2011 | 34950-2021 | 34951-1631 | 34951-1641 |
| MX150 ASSY BLD 2X10 BK A/8 | 334822275 | A-BLACK | GCP | PLR | M-B | - | 2 | 3 | - | - | - | 7 | 8 | 9 | 10 | SALEABLE | | 34950-2011 | 34950-2021 | 34951-1631 | 34951-1641 |
| MX150 ASSY BLD 2X10 BK A/11 | 334822276 | A-BLACK | GCP | PLR | M-B | - | 2 | - | - | - | - | 7 | 8 | 9 | 10 | SALEABLE | | 34950-2011 | 34950-2021 | 34951-1631 | 34951-1641 |
| MX150 ASSY BLD 2X10 BK A/6 | 334822277 | A-BLACK | GCP | PLR | M-B | 1 | 2 | - | 4 | 5 | - | 7 | 8 | 9 | 10 | SALEABLE | | 34950-2011 | 34950-2021 | 34951-1631 | 34951-1641 |
| MX150 ASSY BLD 2X10 BK A/15 | 334822278 | A-BLACK | GCP | PLR | M-B | - | - | - | - | - | - | - | - | - | 10 | SALEABLE | | 34950-2011 | 34950-2021 | 34951-1631 | 34951-1641 |
| MX150 ASSY BLD 2X10 BK A/13 | 334822279 | A-BLACK | GCP | PLR | M-B | - | - | 3 | 4 | - | - | - | - | - | 10 | SALEABLE | | 34950-2011 | 34950-2021 | 34951-1631 | 34951-1641 |
| MX150 ASSY BLD 2X10 BK A/9 | 334822280 | A-BLACK | GCP | PLR | M-B | - | - | 3 | 4 | - | - | - | - | - | 10 | SALEABLE | | 34950-2011 | 34950-2021 | 34951-1631 | 34951-1641 |
| MX150 ASSY BLD 2X10 BK A/11 | 334822281 | A-BLACK | GCP | PLR | M-B | - | - | - | - | - | - | - | - | - | 10 | SALEABLE | | 34950-2011 | 34950-2021 | 34951-1631 | 34951-1641 |
| MX150 ASSY BLD 2X10 BK A/14 | 334822282 | A-BLACK | GCP | PLR | M-B | - | 2 | 3 | - | - | 6 | - | - | - | 10 | SALEABLE | | 34950-2011 | 34950-2021 | 34951-1631 | 34951-1641 |
| MX150 ASSY BLD 2X10 BK A/17 | 334822283 | A-BLACK | GCP | PLR | M-B | - | - | - | 4 | - | - | - | - | - | - | SALEABLE | | 34950-2011 | 34950-2021 | 34951-1631 | 34951-1641 |
| MX150 ASSY BLD 2X10 BK A/14 | 334822284 | A-BLACK | GCP | PLR | M-B | - | - | 3 | 4 | - | - | - | - | - | - | SALEABLE | | 34950-2011 | 34950-2021 | 34951-1631 | 34951-1641 |
| MX150 ASSY BLD 2X10 BK A/9 | 334822285 | A-BLACK | GCP | PLR | M-B | 1 | 2 | 3 | - | - | 6 | 7 | - | - | 10 | SALEABLE | | 34950-2011 | 34950-2021 | 34951-1631 | 34951-1641 |
| MX150 ASSY BLD 2X10 BK A/2 | 334822286 | A-BLACK | GCP | PLR | M-B | 1 | 2 | 3 | - | - | 6 | 7 | 8 | 9 | 10 | SALEABLE | | 34950-2011 | 34950-2021 | 34951-1631 | 34951-1641 |
| MX150 ASSY BLD 2X10 BK A/11 | 334822287 | A-BLACK | GCP | PLR | M-B | 1 | 2 | 3 | 4 | 5 | 6 | - | 8 | - | 10 | SALEABLE | | 34950-2011 | 34950-2021 | 34951-1631 | 34951-1641 |
| MX150 ASSY BLD 2X10 BK A/6 | 334822288 | A-BLACK | GCP | PLR | M-B | 1 | 2 | 3 | - | - | - | - | - | 9 | 10 | SALEABLE | | 34950-2011 | 34950-2021 | 34951-1631 | 34951-1641 |
| MX150 ASSY BLD 2X10 BK A/11 | 334822289 | A-BLACK | GCP | PLR | M-B | - | - | 3 | - | - | - | - | - | 9 | 10 | SALEABLE | | 34950-2011 | 34950-2021 | 34951-1631 | 34951-1641 |
| MX150 ASSY BLD 2X10 BK A/7 | 334822290 | A-BLACK | GCP | PLR | M-B | 1 | 2 | 3 | 4 | 5 | 6 | 7 | 8 | - | - | SALEABLE | | 34950-2011 | 34950-2021 | 34951-1631 | 34951-1641 |
| MX150 ASSY BLD 2X10 BK A/9 | 334822291 | A-BLACK | GCP | PLR | M-B | 1 | 2 | 3 | 4 | 5 | 6 | 7 | 8 | - | - | SALEABLE | | 34950-2011 | 34950-2021 | 34951-1631 | 34951-1641 |
| MX150 ASSY BLD 2X10 BK A/19 | 334822292 | A-BLACK | GCP | PLR | M-B | - | - | - | - | - | - | - | - | - | - | SALEABLE | | 34950-2011 | 34950-2021 | 34951-1631 | 34951-1641 |
| MX150 ASSY BLD 2X10 BK A/6 | 334822293 | A-BLACK | GCP | PLR | M-B | 1 | 2 | 3 | 4 | - | - | 7 | 8 | 9 | - | SALEABLE | | 34950-2011 | 34950-2021 | 34951-1631 | 34951-1641 |
| MX150 ASSY BLD 2X10 BK A/8 | 334822294 | A-BLACK | GCP | PLR | M-B | 1 | 2 | 3 | - | - | - | 7 | 8 | 9 | - | SALEABLE | | 34950-2011 | 34950-2021 | 34951-1631 | 34951-1641 |
| MX150 ASSY BLD 2X10 BK A/3 | 334822295 | A-BLACK | GCP | PLR | M-B | - | 2 | 3 | 4 | 5 | 6 | 7 | 8 | 9 | 10 | SALEABLE | | 34950-2011 | 34950-2021 | 34951-1631 | 34951-1641 |
| MX150 ASSY BLD 2X10 BK A/9 | 334822296 | A-BLACK | GCP | PLR | M-B | - | 2 | 3 | 4 | - | - | 7 | 8 | 9 | - | SALEABLE | | 34950-2011 | 34950-2021 | 34951-1631 | 34951-1641 |
| MX150 ASSY BLD 2X10 BK A/11 | 334822297 | A-BLACK | GCP | PLR | M-B | - | 2 | 3 | - | - | - | 7 | 8 | 9 | - | SALEABLE | | 34950-2011 | 34950-2021 | 34951-1631 | 34951-1641 |
| MX150 ASSY BLD 2X10 BK A/12 | 334822298 | A-BLACK | GCP | PLR | M-B | 1 | - | 3 | 4 | - | - | - | - | 9 | - | SALEABLE | | 34950-2011 | 34950-2021 | 34951-1631 | 34951-1641 |
| MX150 ASSY BLD 2X10 BK A/14 | 334822299 | A-BLACK | GCP | PLR | M-B | 1 | - | 3 | - | - | - | - | - | 9 | - | SALEABLE | | 34950-2011 | 34950-2021 | 34951-1631 | 34951-1641 |
| MX150 ASSY BLD 2X10 BK A/15 | 334822300 | A-BLACK | GCP | PLR | M-B | - | - | 3 | 4 | - | - | - | - | 9 | - | SALEABLE | | 34950-2011 | 34950-2021 | 34951-1631 | 34951-1641 |

| ASSEMBLY DESCRIPTION | ASSEMBLY PART NUMBER | COMPONENT | | | | BLOCKED TERMINALS | | | | | | | | | | STATUS | COMMENT | OPTIONAL ATTACHMENTS SOLD SEPARATELY | | | | | |
|-----------------------------|----------------------|--|-------------|-----|----------|--|---|---|---|---|---|---|---|---|----|----------|---------|--------------------------------------|------------------------|-----------------------|--------------------------|----|----|
| | | THE PRESENCE OF AN ABBREVIATION INDICATES THE PRESENCE OF THAT COMPONENT | | | | CAVITY WITH A NUMBER INDICATES BLOCKED TERMINAL POSITION CAVITY WITHOUT A NUMBER INDICATES OPEN TERMINAL POSITION | | | | | | | | | | | | BACKSHELL WITH RIBS | BACKSHELL WITHOUT RIBS | 90° ADAPTOR WITH RIBS | 90° ADAPTOR WITHOUT RIBS | | |
| | | HOUSING KEY/COLOR | GROMMET CAP | PLR | MAT SEAL | 1 | 2 | 3 | 4 | 5 | 6 | 7 | 8 | 9 | 10 | | | | | | | 11 | 12 |
| MX150 ASSY BLD 2X10 BK A/17 | 334822301 | A-BLACK | GCP | PLR | M-B | - | - | 3 | - | - | - | - | - | 9 | - | SALEABLE | | 34950-2011 | 34950-2021 | 34951-1631 | 34951-1641 | | |
| MX150 ASSY BLD 2X10 BK A/17 | 334822302 | A-BLACK | GCP | PLR | M-B | - | - | - | - | - | - | - | - | 9 | - | SALEABLE | | 34950-2011 | 34950-2021 | 34951-1631 | 34951-1641 | | |
| MX150 ASSY BLD 2X10 BK A/11 | 334822303 | A-BLACK | GCP | PLR | M-B | - | - | - | - | - | - | - | - | 9 | - | SALEABLE | | 34950-2011 | 34950-2021 | 34951-1631 | 34951-1641 | | |
| MX150 ASSY BLD 2X10 BK A/15 | 334822304 | A-BLACK | GCP | PLR | M-B | - | 2 | - | - | - | - | - | 8 | 9 | - | SALEABLE | | 34950-2011 | 34950-2021 | 34951-1631 | 34951-1641 | | |
| MX150 ASSY BLD 2X10 BK A/9 | 334822305 | A-BLACK | GCP | PLR | M-B | - | 2 | - | - | - | - | - | 8 | 9 | - | SALEABLE | | 34950-2011 | 34950-2021 | 34951-1631 | 34951-1641 | | |
| MX150 ASSY BLD 2X10 BK A/9 | 334822306 | A-BLACK | GCP | PLR | M-B | 1 | 2 | 3 | 4 | 5 | 6 | 7 | 8 | 9 | - | SALEABLE | | 34950-2011 | 34950-2021 | 34951-1631 | 34951-1641 | | |
| MX150 ASSY BLD 2X10 BK A/3 | 334822307 | A-BLACK | GCP | PLR | M-B | 1 | 2 | 3 | 4 | 5 | 6 | 7 | 8 | 9 | - | SALEABLE | | 34950-2011 | 34950-2021 | 34951-1631 | 34951-1641 | | |
| MX150 ASSY BLD 2X10 BK A/3 | 334822308 | A-BLACK | GCP | PLR | M-B | 1 | 2 | 3 | - | - | 6 | 7 | 8 | 9 | 10 | SALEABLE | | 34950-2011 | 34950-2021 | 34951-1631 | 34951-1641 | | |
| MX150 ASSY BLD 2X10 BK A/13 | 334822309 | A-BLACK | GCP | PLR | M-B | 1 | 2 | 3 | 4 | 5 | - | - | - | - | - | SALEABLE | | 34950-2011 | 34950-2021 | 34951-1631 | 34951-1641 | | |
| MX150 ASSY BLD 2X10 BK A/13 | 334822310 | A-BLACK | GCP | PLR | M-B | - | 2 | 3 | - | 5 | - | - | - | - | - | SALEABLE | | 34950-2011 | 34950-2021 | 34951-1631 | 34951-1641 | | |
| MX150 ASSY BLD 2X10 BK A/3 | 334822311 | A-BLACK | GCP | PLR | M-B | - | 2 | 3 | 4 | 5 | - | 7 | 8 | 9 | 10 | SALEABLE | | 34950-2011 | 34950-2021 | 34951-1631 | 34951-1641 | | |
| MX150 ASSY BLD 2X10 BK A/13 | 334822312 | A-BLACK | GCP | PLR | M-B | - | 2 | - | - | 5 | 6 | - | - | 9 | 10 | SALEABLE | | 34950-2011 | 34950-2021 | 34951-1631 | 34951-1641 | | |
| MX150 ASSY BLD 2X10 BK A/13 | 334822313 | A-BLACK | GCP | PLR | M-B | 1 | - | 3 | - | - | 6 | - | - | 9 | 10 | SALEABLE | | 34950-2011 | 34950-2021 | 34951-1631 | 34951-1641 | | |
| MX150 ASSY BLD 2X10 BK A/14 | 334822314 | A-BLACK | GCP | PLR | M-B | - | - | - | - | - | - | - | - | 9 | 10 | SALEABLE | | 34950-2011 | 34950-2021 | 34951-1631 | 34951-1641 | | |
| MX150 ASSY BLD 2X10 BK A/8 | 334822315 | A-BLACK | GCP | PLR | M-B | - | - | - | - | - | - | - | - | 9 | 10 | SALEABLE | | 34950-2011 | 34950-2021 | 34951-1631 | 34951-1641 | | |
| MX150 ASSY BLD 2X10 BK A/12 | 334822316 | A-BLACK | GCP | PLR | M-B | - | 2 | - | - | - | - | - | 8 | 9 | 10 | SALEABLE | | 34950-2011 | 34950-2021 | 34951-1631 | 34951-1641 | | |
| MX150 ASSY BLD 2X10 BK A/6 | 334822317 | A-BLACK | GCP | PLR | M-B | - | 2 | - | - | - | - | - | 8 | 9 | 10 | SALEABLE | | 34950-2011 | 34950-2021 | 34951-1631 | 34951-1641 | | |
| MX150 ASSY BLD 2X10 BK A/6 | 334822318 | A-BLACK | GCP | PLR | M-B | 1 | 2 | 3 | 4 | 5 | 6 | 7 | 8 | 9 | 10 | SALEABLE | | 34950-2011 | 34950-2021 | 34951-1631 | 34951-1641 | | |
| MX150 ASSY BLD 2X10 BK A/15 | 334822319 | A-BLACK | GCP | PLR | M-B | 1 | 2 | 3 | - | - | 6 | 7 | - | - | - | SALEABLE | | 34950-2011 | 34950-2021 | 34951-1631 | 34951-1641 | | |
| MX150 ASSY BLD 2X10 BK A/17 | 334822320 | A-BLACK | GCP | PLR | M-B | - | 2 | 3 | - | - | 6 | - | - | - | - | SALEABLE | | 34950-2011 | 34950-2021 | 34951-1631 | 34951-1641 | | |
| MX150 ASSY BLD 2X10 BK A/5 | 334822321 | A-BLACK | GCP | PLR | M-B | 1 | 2 | 3 | 4 | 5 | 6 | 7 | 8 | 9 | - | SALEABLE | | 34950-2011 | 34950-2021 | 34951-1631 | 34951-1641 | | |
| MX150 ASSY BLD 2X10 BK A/11 | 334822322 | A-BLACK | GCP | PLR | M-B | 1 | 2 | 3 | 4 | 5 | - | - | 8 | 9 | - | SALEABLE | | 34950-2011 | 34950-2021 | 34951-1631 | 34951-1641 | | |
| MX150 ASSY BLD 2X10 BK A/5 | 334822323 | A-BLACK | GCP | PLR | M-B | 1 | 2 | 3 | - | - | 6 | 7 | - | 9 | 10 | SALEABLE | | 34950-2011 | 34950-2021 | 34951-1631 | 34951-1641 | | |
| MX150 ASSY BLD 2X10 BK A/6 | 334822324 | A-BLACK | GCP | PLR | M-B | 1 | 2 | 3 | 4 | 5 | 6 | 7 | 8 | - | 10 | SALEABLE | | 34950-2011 | 34950-2021 | 34951-1631 | 34951-1641 | | |
| MX150 ASSY BLD 2X10 LG B/16 | 334822325 | B-LIGHT GRAY | GCP | PLR | M-B | - | - | - | - | - | - | - | - | - | - | SALEABLE | | 34950-2011 | 34950-2021 | 34951-1631 | 34951-1641 | | |
| MX150 ASSY BLD 2X10 BK A/6 | 334822326 | A-BLACK | GCP | PLR | M-B | 1 | 2 | - | - | - | 6 | 7 | 8 | 9 | 10 | SALEABLE | | 34950-2011 | 34950-2021 | 34951-1631 | 34951-1641 | | |
| MX150 ASSY BLD 2X10 BK A/4 | 334822327 | A-BLACK | GCP | PLR | M-B | 1 | 2 | - | 4 | 5 | 6 | 7 | 8 | 9 | 10 | SALEABLE | | 34950-2011 | 34950-2021 | 34951-1631 | 34951-1641 | | |

**MX150 2X10 BLADE SEALED ASSEMBLY MAT SEAL
BOM AND PIN OUT SHEET**

| ASSEMBLY DESCRIPTION | ASSEMBLY PART NUMBER | COMPONENT | | | | BLOCKED TERMINALS | | | | | | | | | | STATUS | COMMENT | OPTIONAL ATTACHMENTS SOLD SEPARATELY | | | | | | | | | | | | | |
|-----------------------------|----------------------|--|-------------|-----|----------|--|---|---|---|---|---|---|---|---|----|--------|---------|--------------------------------------|------------------------|-----------------------|--------------------------|----|----|----|----------|----------|------------|------------|------------|------------|------------|
| | | THE PRESENCE OF AN ABBREVIATION INDICATES THE PRESENCE OF THAT COMPONENT | | | | CAVITY WITH A NUMBER INDICATES BLOCKED TERMINAL POSITION CAVITY WITHOUT A NUMBER INDICATES OPEN TERMINAL POSITION | | | | | | | | | | | | BACKSHELL WITH RIBS | BACKSHELL WITHOUT RIBS | 90° ADAPTOR WITH RIBS | 90° ADAPTOR WITHOUT RIBS | | | | | | | | | | |
| | | HOUSING KEY/COLOR | GROMMET CAP | PLR | MAT SEAL | 1 | 2 | 3 | 4 | 5 | 6 | 7 | 8 | 9 | 10 | | | | | | | 11 | 12 | 13 | 14 | 15 | 16 | 17 | 18 | 19 | 20 |
| MX150 ASSY BLD 2X10 BK A/13 | 334822328 | A-BLACK | GCP | PLR | M-B | - | - | - | - | - | - | 7 | 8 | 9 | 10 | 11 | - | 13 | - | - | 16 | - | - | - | - | SALEABLE | | 34950-2011 | 34950-2021 | 34951-1631 | 34951-1641 |
| MX150 ASSY BLD 2X10 LG B/14 | 334822329 | B-LIGHT GRAY | GCP | PLR | M-B | - | - | - | - | - | - | - | - | - | 10 | 11 | - | - | - | 15 | 16 | 17 | - | - | 20 | SALEABLE | | 34950-2011 | 34950-2021 | 34951-1631 | 34951-1641 |
| MX150 ASSY BLD 2X10 BK A/15 | 334822330 | A-BLACK | GCP | PLR | M-B | - | 2 | - | - | 5 | 6 | - | - | 9 | 10 | - | - | - | - | - | - | - | - | - | - | SALEABLE | | 34950-2011 | 34950-2021 | 34951-1631 | 34951-1641 |
| MX150 ASSY BLD 2X10 BK A/16 | 334822331 | A-BLACK | GCP | PLR | M-B | - | 2 | - | - | - | 6 | - | - | 9 | 10 | - | - | - | - | - | - | - | - | - | - | SALEABLE | | 34950-2011 | 34950-2021 | 34951-1631 | 34951-1641 |
| MX150 ASSY BLD 2X10 BK A/17 | 334822332 | A-BLACK | GCP | PLR | M-B | - | - | - | - | - | 6 | - | - | 9 | 10 | - | - | - | - | - | - | - | - | - | - | SALEABLE | | 34950-2011 | 34950-2021 | 34951-1631 | 34951-1641 |
| MX150 ASSY BLD 2X10 BK A/7 | 334822334 | A-BLACK | GCP | PLR | M-B | - | - | 3 | 4 | - | 6 | 7 | - | 9 | 10 | - | - | 13 | 14 | - | 16 | 17 | 18 | 19 | 20 | SALEABLE | | 34950-2011 | 34950-2021 | 34951-1631 | 34951-1641 |
| MX150 ASSY BLD 2X10 BK A/14 | 334822335 | A-BLACK | GCP | PLR | M-B | - | - | 3 | 4 | - | - | 7 | - | - | 10 | - | - | - | - | - | 16 | 17 | - | - | - | SALEABLE | | 34950-2011 | 34950-2021 | 34951-1631 | 34951-1641 |
| MX150 ASSY BLD 2X10 LG B/14 | 334822336 | B-LIGHT GRAY | GCP | PLR | M-B | - | - | - | - | - | - | - | - | - | - | - | - | - | 14 | 15 | - | 17 | 18 | 19 | 20 | SALEABLE | | 34950-2011 | 34950-2021 | 34951-1631 | 34951-1641 |
| MX150 ASSY BLD 2X10 LG B/18 | 334822337 | B-LIGHT GRAY | GCP | PLR | M-B | - | - | - | - | - | - | - | - | - | - | - | - | - | - | - | - | - | - | 19 | 20 | SALEABLE | | 34950-2011 | 34950-2021 | 34951-1631 | 34951-1641 |
| MX150 ASSY BLD 2X10 LG B/16 | 334822338 | B-LIGHT GRAY | GCP | PLR | M-B | - | 2 | - | 4 | - | - | - | - | - | - | - | - | - | - | - | - | - | 19 | 20 | SALEABLE | | 34950-2011 | 34950-2021 | 34951-1631 | 34951-1641 | |
| MX150 ASSY BLD 2X10 LG B/9 | 334822339 | B-LIGHT GRAY | GCP | PLR | M-B | - | - | - | - | 5 | 6 | - | - | - | - | 11 | 12 | 13 | 14 | 15 | - | 17 | 18 | 19 | 20 | SALEABLE | | 34950-2011 | 34950-2021 | 34951-1631 | 34951-1641 |
| MX150 ASSY BLD 2X10 BK A/14 | 334822340 | A-BLACK | GCP | PLR | M-B | - | 2 | 3 | - | 5 | 6 | - | - | - | - | - | 12 | 13 | - | - | - | - | - | - | - | SALEABLE | | 34950-2011 | 34950-2021 | 34951-1631 | 34951-1641 |
| MX150 ASSY BLD 2X10 BK A/17 | 334822341 | A-BLACK | GCP | PLR | M-B | - | - | - | - | 5 | 6 | - | - | - | - | - | - | - | - | - | - | - | 19 | - | SALEABLE | | 34950-2011 | 34950-2021 | 34951-1631 | 34951-1641 | |
| MX150 ASSY BLD 2X10 LG B/10 | 334822342 | B-LIGHT GRAY | GCP | PLR | M-B | - | - | - | - | 5 | 6 | - | - | - | - | 11 | 12 | 13 | 14 | 15 | - | 17 | 18 | - | 20 | SALEABLE | | 34950-2011 | 34950-2021 | 34951-1631 | 34951-1641 |
| MX150 ASSY BLD 2X10 LG B/17 | 334822343 | B-LIGHT GRAY | GCP | PLR | M-B | - | - | - | - | - | - | - | - | - | - | - | - | - | - | - | - | 17 | 18 | - | 20 | SALEABLE | | 34950-2011 | 34950-2021 | 34951-1631 | 34951-1641 |
| MX150 ASSY BLD 2X10 LG B/15 | 334822344 | B-LIGHT GRAY | GCP | PLR | M-B | - | - | - | - | - | - | - | - | - | - | - | - | - | 14 | 15 | - | 17 | 18 | - | 20 | SALEABLE | | 34950-2011 | 34950-2021 | 34951-1631 | 34951-1641 |
| MX150 ASSY BLD 2X10 LG B/19 | 334822345 | B-LIGHT GRAY | GCP | PLR | M-B | - | - | - | - | - | - | - | - | - | - | - | - | - | - | - | - | - | - | 20 | SALEABLE | | 34950-2011 | 34950-2021 | 34951-1631 | 34951-1641 | |
| MX150 ASSY BLD 2X10 BK A/18 | 334822346 | A-BLACK | GCP | PLR | M-B | - | - | - | - | - | - | - | - | - | - | - | - | - | - | - | - | - | 19 | 20 | SALEABLE | | 34950-2011 | 34950-2021 | 34951-1631 | 34951-1641 | |
| MX150 ASSY BLD 2X10 BK A/4 | 334822347 | A-BLACK | GCP | PLR | M-B | - | 2 | 3 | 4 | 5 | 6 | 7 | 8 | 9 | - | - | 12 | 13 | 14 | 15 | 16 | 17 | 18 | 19 | - | SALEABLE | | 34950-2011 | 34950-2021 | 34951-1631 | 34951-1641 |
| MX150 ASSY BLD 2X10 BK A/16 | 334822348 | A-BLACK | GCP | PLR | M-B | - | 2 | - | - | - | 6 | - | - | - | 10 | - | - | - | - | 15 | - | - | - | - | - | SALEABLE | | 34950-2011 | 34950-2021 | 34951-1631 | 34951-1641 |
| MX150 ASSY BLD 2X10 BK A/12 | 334822349 | A-BLACK | GCP | PLR | M-B | - | - | 3 | 4 | 5 | - | 7 | - | - | 10 | - | - | - | - | - | - | 18 | 19 | 20 | SALEABLE | | 34950-2011 | 34950-2021 | 34951-1631 | 34951-1641 | |
| MX150 ASSY BLD 2X10 BK A/9 | 334822350 | A-BLACK | GCP | PLR | M-B | - | - | 3 | 4 | - | 6 | - | 8 | 9 | - | - | 12 | 13 | 14 | 15 | 16 | 17 | - | - | - | SALEABLE | | 34950-2011 | 34950-2021 | 34951-1631 | 34951-1641 |
| MX150 ASSY BLD 2X10 BK A/15 | 334822351 | A-BLACK | GCP | PLR | M-B | - | - | 3 | 4 | 5 | - | - | - | - | - | - | - | - | - | - | - | - | 18 | 19 | - | SALEABLE | | 34950-2011 | 34950-2021 | 34951-1631 | 34951-1641 |
| MX150 ASSY BLD 2X10 BK A/14 | 334822352 | A-BLACK | GCP | PLR | M-B | - | - | 3 | 4 | 5 | 6 | - | - | - | - | - | - | - | - | - | - | - | 18 | 19 | - | SALEABLE | | 34950-2011 | 34950-2021 | 34951-1631 | 34951-1641 |
| MX150 ASSY BLD 2X10 LG B/17 | 334822353 | B-LIGHT GRAY | GCP | PLR | M-B | - | - | - | - | 5 | 6 | - | - | - | - | - | - | - | - | - | - | - | 19 | - | SALEABLE | | 34950-2011 | 34950-2021 | 34951-1631 | 34951-1641 | |
| MX150 ASSY BLD 2X10 BK A/15 | 334822354 | A-BLACK | GCP | PLR | M-B | - | 2 | 3 | - | - | 6 | - | - | - | 10 | - | 12 | - | - | - | - | - | - | - | - | SALEABLE | | 34950-2011 | 34950-2021 | 34951-1631 | 34951-1641 |
| MX150 ASSY BLD 2X10 BK A/8 | 334822355 | A-BLACK | GCP | PLR | M-B | 1 | - | 3 | 4 | 5 | 6 | 7 | 8 | 9 | 10 | 11 | 12 | - | - | - | - | - | - | - | 20 | SALEABLE | | 34950-2011 | 34950-2021 | 34951-1631 | 34951-1641 |

| ASSEMBLY DESCRIPTION | ASSEMBLY PART NUMBER | COMPONENT | | | | BLOCKED TERMINALS | | | | | | | | | | STATUS | COMMENT | OPTIONAL ATTACHMENTS SOLD SEPARATELY | | | | | | | | | | | | | | | | |
|-----------------------------|----------------------|--|-------------|-----|----------|--|---|---|---|---|---|---|---|---|----|--------|---------|--------------------------------------|------------------------|-----------------------|--------------------------|----|----|----|----|----------|----|------------|------------|------------|------------|------------|------------|------------|
| | | THE PRESENCE OF AN ABBREVIATION INDICATES THE PRESENCE OF THAT COMPONENT | | | | CAVITY WITH A NUMBER INDICATES BLOCKED TERMINAL POSITION CAVITY WITHOUT A NUMBER INDICATES OPEN TERMINAL POSITION | | | | | | | | | | | | BACKSHELL WITH RIBS | BACKSHELL WITHOUT RIBS | 90° ADAPTOR WITH RIBS | 90° ADAPTOR WITHOUT RIBS | | | | | | | | | | | | | |
| | | HOUSING KEY/COLOR | GROMMET CAP | PLR | MAT SEAL | 1 | 2 | 3 | 4 | 5 | 6 | 7 | 8 | 9 | 10 | | | | | | | 11 | 12 | 13 | 14 | 15 | 16 | 17 | 18 | 19 | 20 | | | |
| MX150 ASSY BLD 2X10 BK A/14 | 334822356 | A-BLACK | GCP | PLR | M-B | 1 | - | - | - | - | - | - | - | 9 | 10 | 11 | 12 | - | - | - | - | - | - | - | - | - | - | 20 | SALEABLE | | 34950-2011 | 34950-2021 | 34951-1631 | 34951-1641 |
| MX150 ASSY BLD 2X10 LG B/6 | 334822357 | B-LIGHT GRAY | GCP | PLR | M-B | - | - | - | - | 5 | 6 | 7 | 8 | 9 | 10 | 11 | 12 | 13 | 14 | - | - | 17 | 18 | 19 | 20 | SALEABLE | | 34950-2011 | 34950-2021 | 34951-1631 | 34951-1641 | | | |
| MX150 ASSY BLD 2X10 BK A/12 | 334822358 | A-BLACK | GCP | PLR | M-B | - | - | - | - | 5 | - | - | - | 9 | - | - | 12 | - | - | 15 | 16 | - | 18 | 19 | 20 | SALEABLE | | 34950-2011 | 34950-2021 | 34951-1631 | 34951-1641 | | | |
| MX150 ASSY BLD 2X10 LG B/8 | 334822359 | B-LIGHT GRAY | GCP | PLR | M-B | 1 | 2 | 3 | 4 | 5 | 6 | 7 | 8 | - | - | - | - | 13 | - | - | 16 | - | - | 19 | 20 | SALEABLE | | 34950-2011 | 34950-2021 | 34951-1631 | 34951-1641 | | | |
| MX150 ASSY BLD 2X10 BK A/11 | 334822360 | A-BLACK | GCP | PLR | M-B | 1 | 2 | - | - | - | - | - | 8 | 9 | 10 | - | - | - | 14 | - | - | 17 | 18 | 19 | - | SALEABLE | | 34950-2011 | 34950-2021 | 34951-1631 | 34951-1641 | | | |
| MX150 ASSY BLD 2X10 BK A/11 | 334822361 | A-BLACK | GCP | PLR | M-B | 1 | 2 | - | - | - | - | - | - | 9 | 10 | - | - | - | 14 | - | 16 | 17 | 18 | 19 | - | SALEABLE | | 34950-2011 | 34950-2021 | 34951-1631 | 34951-1641 | | | |
| MX150 ASSY BLD 2X10 BK A/14 | 334822362 | A-BLACK | GCP | PLR | M-B | - | - | - | - | - | - | - | - | 9 | 10 | - | - | - | 14 | - | - | 17 | 18 | 19 | - | SALEABLE | | 34950-2011 | 34950-2021 | 34951-1631 | 34951-1641 | | | |
| MX150 ASSY BLD 2X10 BK A/10 | 334822363 | A-BLACK | GCP | PLR | M-B | 1 | 2 | 3 | - | - | 6 | 7 | - | - | 10 | 11 | 12 | - | - | - | 16 | - | - | 19 | - | SALEABLE | | 34950-2011 | 34950-2021 | 34951-1631 | 34951-1641 | | | |
| MX150 ASSY BLD 2X10 BK A/8 | 334822364 | A-BLACK | GCP | PLR | M-B | 1 | - | - | - | - | - | - | 8 | 9 | 10 | - | 12 | - | 14 | 15 | 16 | 17 | 18 | 19 | 20 | SALEABLE | | 34950-2011 | 34950-2021 | 34951-1631 | 34951-1641 | | | |
| MX150 ASSY BLD 2X10 BK A/12 | 334822365 | A-BLACK | GCP | PLR | M-B | 1 | - | - | - | - | - | - | - | - | - | - | - | - | 14 | 15 | 16 | 17 | 18 | 19 | 20 | SALEABLE | | 34950-2011 | 34950-2021 | 34951-1631 | 34951-1641 | | | |
| MX150 ASSY BLD 2X10 BK A/6 | 334822366 | A-BLACK | GCP | PLR | M-B | 1 | - | - | - | - | - | - | 8 | 9 | 10 | 11 | 12 | 13 | 14 | 15 | 16 | 17 | 18 | 19 | 20 | SALEABLE | | 34950-2011 | 34950-2021 | 34951-1631 | 34951-1641 | | | |
| MX150 ASSY BLD 2X10 BK A/16 | 334822367 | A-BLACK | GCP | PLR | M-B | 1 | - | - | - | - | - | - | - | - | - | 11 | - | - | - | - | - | - | - | 19 | 20 | SALEABLE | | 34950-2011 | 34950-2021 | 34951-1631 | 34951-1641 | | | |
| MX150 ASSY BLD 2X10 BK A/16 | 334822368 | A-BLACK | GCP | PLR | M-B | - | - | 3 | - | - | 6 | - | 8 | 9 | - | - | - | - | - | - | - | - | - | - | - | SALEABLE | | 34950-2011 | 34950-2021 | 34951-1631 | 34951-1641 | | | |
| MX150 ASSY BLD 2X10 BK A/15 | 334822369 | A-BLACK | GCP | PLR | M-B | - | - | - | - | - | - | - | - | 9 | - | - | - | - | - | - | - | 17 | 18 | 19 | 20 | SALEABLE | | 34950-2011 | 34950-2021 | 34951-1631 | 34951-1641 | | | |
| MX150 ASSY BLD 2X10 BK A/18 | 334822370 | A-BLACK | GCP | PLR | M-B | - | - | - | - | - | 6 | - | - | - | - | - | - | - | - | - | - | - | - | 19 | - | SALEABLE | | 34950-2011 | 34950-2021 | 34951-1631 | 34951-1641 | | | |
| MX150 ASSY BLD 2X10 LG B/18 | 334822371 | B-LIGHT GRAY | GCP | PLR | M-B | - | - | - | - | - | 6 | - | - | - | - | - | - | - | - | - | - | - | - | 19 | - | SALEABLE | | 34950-2011 | 34950-2021 | 34951-1631 | 34951-1641 | | | |
| MX150 ASSY BLD 2X10 BK A/10 | 334822372 | A-BLACK | GCP | PLR | M-B | 1 | 2 | - | - | - | - | 7 | 8 | 9 | 10 | - | 12 | 13 | - | - | - | 17 | 18 | - | - | SALEABLE | | 34950-2011 | 34950-2021 | 34951-1631 | 34951-1641 | | | |
| MX150 ASSY BLD 2X10 BK A/14 | 334822373 | A-BLACK | GCP | PLR | M-B | - | - | 3 | - | 5 | 6 | - | - | - | - | 11 | 12 | 13 | - | - | - | - | - | - | - | SALEABLE | | 34950-2011 | 34950-2021 | 34951-1631 | 34951-1641 | | | |
| MX150 ASSY BLD 2X10 BK A/16 | 334822374 | A-BLACK | GCP | PLR | M-B | - | - | 3 | - | - | 6 | - | - | - | - | - | 12 | 13 | - | - | - | - | - | - | - | SALEABLE | | 34950-2011 | 34950-2021 | 34951-1631 | 34951-1641 | | | |
| MX150 ASSY BLD 2X10 BK A/18 | 334822375 | A-BLACK | GCP | PLR | M-B | - | - | - | - | - | - | - | 8 | - | - | - | - | - | - | - | - | 17 | - | - | - | SALEABLE | | 34950-2011 | 34950-2021 | 34951-1631 | 34951-1641 | | | |
| MX150 ASSY BLD 2X10 BK A/15 | 334822376 | A-BLACK | GCP | PLR | M-B | - | - | - | - | 5 | - | - | 8 | - | - | 11 | - | - | 14 | - | - | 17 | - | - | - | SALEABLE | | 34950-2011 | 34950-2021 | 34951-1631 | 34951-1641 | | | |
| MX150 ASSY BLD 2X10 BK A/12 | 334822377 | A-BLACK | GCP | PLR | M-B | 1 | - | 3 | - | 5 | 6 | 7 | - | - | - | 11 | 12 | 13 | - | - | - | - | - | - | - | SALEABLE | | 34950-2011 | 34950-2021 | 34951-1631 | 34951-1641 | | | |
| MX150 ASSY BLD 2X10 BK A/12 | 334822378 | A-BLACK | GCP | PLR | M-B | 1 | - | 3 | 4 | - | - | - | - | 9 | - | 11 | 12 | 13 | - | - | - | - | - | - | 20 | SALEABLE | | 34950-2011 | 34950-2021 | 34951-1631 | 34951-1641 | | | |
| MX150 ASSY BLD 2X10 BK A/15 | 334822379 | A-BLACK | GCP | PLR | M-B | - | - | - | - | - | - | - | - | 9 | - | 11 | 12 | 13 | - | - | - | - | - | - | 20 | SALEABLE | | 34950-2011 | 34950-2021 | 34951-1631 | 34951-1641 | | | |
| MX150 ASSY BLD 2X10 BK A/12 | 334822380 | A-BLACK | GCP | PLR | M-B | - | 2 | 3 | - | 5 | 6 | - | 8 | - | - | 11 | 12 | 13 | - | - | - | - | - | - | - | SALEABLE | | 34950-2011 | 34950-2021 | 34951-1631 | 34951-1641 | | | |
| MX150 ASSY BLD 2X10 BK A/14 | 334822381 | A-BLACK | GCP | PLR | M-B | - | 2 | 3 | - | - | 6 | - | 8 | - | - | - | 12 | 13 | - | - | - | - | - | - | - | SALEABLE | | 34950-2011 | 34950-2021 | 34951-1631 | 34951-1641 | | | |
| MX150 ASSY BLD 2X10 BK A/10 | 334822382 | A-BLACK | GCP | PLR | M-B | 1 | 2 | 3 | - | 5 | 6 | 7 | 8 | - | - | 11 | 12 | 13 | - | - | - | - | - | - | - | SALEABLE | | 34950-2011 | 34950-2021 | 34951-1631 | 34951-1641 | | | |



**MX150 2X10 BLADE SEALED ASSEMBLY MAT SEAL
BOM AND PIN OUT SHEET**

| ASSEMBLY DESCRIPTION | ASSEMBLY PART NUMBER | COMPONENT | | | | BLOCKED TERMINALS | | | | | | | | | | STATUS | COMMENT | OPTIONAL ATTACHMENTS SOLD SEPARATELY | | | | | | | | | | | | | | | |
|-----------------------------|----------------------|--|-------------|-----|----------|--|---|---|---|---|---|---|---|----|----|--------|---------|--------------------------------------|------------------------|-----------------------|--------------------------|----|----|----|----------|----------|------------|------------|------------|------------|------------|------------|------------|
| | | THE PRESENCE OF AN ABBREVIATION INDICATES THE PRESENCE OF THAT COMPONENT | | | | CAVITY WITH A NUMBER INDICATES BLOCKED TERMINAL POSITION CAVITY WITHOUT A NUMBER INDICATES OPEN TERMINAL POSITION | | | | | | | | | | | | BACKSHELL WITH RIBS | BACKSHELL WITHOUT RIBS | 90° ADAPTOR WITH RIBS | 90° ADAPTOR WITHOUT RIBS | | | | | | | | | | | | |
| | | HOUSING KEY/COLOR | GROMMET CAP | PLR | MAT SEAL | 1 | 2 | 3 | 4 | 5 | 6 | 7 | 8 | 9 | 10 | | | | | | | 11 | 12 | 13 | 14 | 15 | 16 | 17 | 18 | 19 | 20 | | |
| MX150 ASSY BLD 2X10 BK A/15 | 334822383 | A-BLACK | GCP | PLR | M-B | - | - | - | - | - | - | - | - | 9 | 10 | 11 | 12 | - | - | - | - | - | - | - | - | - | 20 | SALEABLE | | 34950-2011 | 34950-2021 | 34951-1631 | 34951-1641 |
| MX150 ASSY BLD 2X10 BK A/13 | 334822384 | A-BLACK | GCP | PLR | M-B | 1 | - | 3 | 4 | - | - | - | - | 9 | 10 | - | 12 | - | - | - | - | - | - | - | - | - | 20 | SALEABLE | | 34950-2011 | 34950-2021 | 34951-1631 | 34951-1641 |
| MX150 ASSY BLD 2X10 BK A/8 | 334822385 | A-BLACK | GCP | PLR | M-B | 1 | 2 | 3 | 4 | 5 | 6 | - | 8 | - | - | - | - | 13 | - | - | - | 17 | 18 | 19 | 20 | SALEABLE | | 34950-2011 | 34950-2021 | 34951-1631 | 34951-1641 | | |
| MX150 ASSY BLD 2X10 BK A/14 | 334822386 | A-BLACK | GCP | PLR | M-B | - | - | - | - | - | - | 7 | - | 9 | - | - | - | - | 14 | 15 | - | - | - | 19 | 20 | SALEABLE | | 34950-2011 | 34950-2021 | 34951-1631 | 34951-1641 | | |
| MX150 ASSY BLD 2X10 BK A/10 | 334822387 | A-BLACK | GCP | PLR | M-B | 1 | 2 | 3 | 4 | 5 | 6 | - | 8 | - | - | - | - | 13 | - | - | - | - | - | 19 | 20 | SALEABLE | | 34950-2011 | 34950-2021 | 34951-1631 | 34951-1641 | | |
| MX150 ASSY BLD 2X10 BK A/12 | 334822388 | A-BLACK | GCP | PLR | M-B | 1 | - | 3 | 4 | - | - | - | - | 9 | 10 | 11 | 12 | - | - | - | - | - | - | - | - | 20 | SALEABLE | | 34950-2011 | 34950-2021 | 34951-1631 | 34951-1641 | |
| MX150 ASSY BLD 2X10 BK A/15 | 334822389 | A-BLACK | GCP | PLR | M-B | - | - | - | - | - | - | - | - | 9 | 10 | 11 | 12 | - | - | - | - | - | - | - | - | 20 | SALEABLE | | 34950-2011 | 34950-2021 | 34951-1631 | 34951-1641 | |
| MX150 ASSY BLD 2X10 BK A/20 | 334822390 | A-BLACK | GCO | PLR | M-B | - | - | - | - | - | - | - | - | - | - | - | - | - | - | - | - | - | - | - | - | - | SALEABLE | | 34950-2011 | 34950-2021 | 34951-1631 | 34951-1641 | |
| MX150 ASSY BLD 2X10 BK A/13 | 334822391 | A-BLACK | GCP | PLR | M-B | - | - | 3 | - | - | - | - | - | - | - | 11 | - | - | - | - | 16 | 17 | 18 | 19 | 20 | SALEABLE | | 34950-2011 | 34950-2021 | 34951-1631 | 34951-1641 | | |
| MX150 ASSY BLD 2X10 BK A/11 | 334822392 | A-BLACK | GCP | PLR | M-B | - | - | 3 | - | - | - | - | - | - | - | 11 | 12 | 13 | - | - | 16 | 17 | 18 | 19 | 20 | SALEABLE | | 34950-2011 | 34950-2021 | 34951-1631 | 34951-1641 | | |
| MX150 ASSY BLD 2X10 BK A/8 | 334822393 | A-BLACK | GCP | PLR | M-B | 1 | - | 3 | - | - | - | - | - | 9 | 10 | 11 | 12 | 13 | - | - | 16 | 17 | 18 | 19 | 20 | SALEABLE | | 34950-2011 | 34950-2021 | 34951-1631 | 34951-1641 | | |
| MX150 ASSY BLD 2X10 BK A/10 | 334822394 | A-BLACK | GCP | PLR | M-B | 1 | - | 3 | - | - | - | - | - | 9 | 10 | 11 | - | - | - | - | 16 | 17 | 18 | 19 | 20 | SALEABLE | | 34950-2011 | 34950-2021 | 34951-1631 | 34951-1641 | | |
| MX150 ASSY BLD 2X10 BK A/19 | 334822395 | A-BLACK | GCP | PLR | M-B | - | - | - | - | - | - | - | - | - | - | - | - | - | - | - | - | 18 | - | - | - | SALEABLE | | 34950-2011 | 34950-2021 | 34951-1631 | 34951-1641 | | |
| MX150 ASSY BLD 2X10 SG D/19 | 334822396 | D-STONE GRAY | GCP | PLR | M-B | 1 | - | - | - | - | - | - | - | - | - | - | - | - | - | - | - | - | - | - | - | SALEABLE | | 34950-2011 | 34950-2021 | 34951-1631 | 34951-1641 | | |
| MX150 ASSY BLD 2X10 DG C/19 | 334822397 | C-DARK GRAY | GCP | PLR | M-B | 1 | - | - | - | - | - | - | - | - | - | - | - | - | - | - | - | - | - | - | - | SALEABLE | | 34950-2011 | 34950-2021 | 34951-1631 | 34951-1641 | | |
| MX150 ASSY BLD 2X10 BK A/18 | 334822398 | A-BLACK | GCP | PLR | M-B | - | - | - | - | - | - | - | - | - | - | - | - | - | - | - | - | - | 19 | 20 | SALEABLE | | 34950-2011 | 34950-2021 | 34951-1631 | 34951-1641 | | | |
| MX150 ASSY BLD 2X10 BK A/9 | 334822399 | A-BLACK | GCP | PLR | M-B | 1 | 2 | - | - | - | - | - | - | - | - | - | 12 | 13 | 14 | 15 | 16 | 17 | 18 | 19 | 20 | SALEABLE | | 34950-2011 | 34950-2021 | 34951-1631 | 34951-1641 | | |
| MX150 ASSY BLD 2X10 BK A/16 | 334822400 | A-BLACK | GCP | PLR | M-B | 1 | 2 | - | - | - | - | - | - | - | - | - | - | - | - | - | - | - | 19 | 20 | SALEABLE | | 34950-2011 | 34950-2021 | 34951-1631 | 34951-1641 | | | |
| MX150 ASSY BLD 2X10 BK A/18 | 334822401 | A-BLACK | GCP | PLR | M-B | - | - | - | - | - | - | - | - | - | - | - | 12 | - | 14 | - | - | - | - | - | - | SALEABLE | | 34950-2011 | 34950-2021 | 34951-1631 | 34951-1641 | | |
| MX150 ASSY BLD 2X10 BK A/13 | 334822402 | A-BLACK | GCP | PLR | M-B | - | - | 3 | - | - | 6 | - | - | - | - | 11 | - | - | - | - | - | 17 | 18 | 19 | 20 | SALEABLE | | 34950-2011 | 34950-2021 | 34951-1631 | 34951-1641 | | |
| MX150 ASSY BLD 2X10 BK A/16 | 334822403 | A-BLACK | GCP | PLR | M-B | 1 | - | - | - | - | - | - | 8 | 9 | - | - | - | - | - | - | 16 | - | - | - | - | SALEABLE | | 34950-2011 | 34950-2021 | 34951-1631 | 34951-1641 | | |
| MX150 ASSY BLD 2X10 BK A/6 | 334822404 | A-BLACK | GCP | PLR | M-B | 1 | 2 | 3 | 4 | 5 | 6 | 7 | 8 | - | - | - | 12 | 13 | 14 | - | 16 | - | - | 19 | 20 | SALEABLE | | 34950-2011 | 34950-2021 | 34951-1631 | 34951-1641 | | |
| MX150 ASSY BLD 2X10 BK A/17 | 334822405 | A-BLACK | GCP | PLR | M-B | - | - | - | - | - | - | - | - | - | - | - | - | - | - | 15 | - | - | - | 19 | 20 | SALEABLE | | 34950-2011 | 34950-2021 | 34951-1631 | 34951-1641 | | |
| MX150 ASSY BLD 2X10 BK A/14 | 334822406 | A-BLACK | GCP | PLR | M-B | - | - | - | - | - | - | - | - | 9 | - | - | - | 13 | 14 | - | - | - | 18 | 19 | 20 | SALEABLE | | 34950-2011 | 34950-2021 | 34951-1631 | 34951-1641 | | |
| MX150 ASSY BLD 2X10 BK A/8 | 334822407 | A-BLACK | GCP | PLR | M-B | 1 | 2 | - | - | - | - | - | - | - | - | 11 | 12 | 13 | 14 | 15 | 16 | 17 | 18 | 19 | 20 | SALEABLE | | 34950-2011 | 34950-2021 | 34951-1631 | 34951-1641 | | |
| MX150 ASSY BLD 2X10 BK A/10 | 334822408 | A-BLACK | GCP | PLR | M-B | 1 | 2 | - | - | - | - | - | - | - | - | - | - | 13 | 14 | 15 | 16 | 17 | 18 | 19 | 20 | SALEABLE | | 34950-2011 | 34950-2021 | 34951-1631 | 34951-1641 | | |
| MX150 ASSY BLD 2X10 BK A/15 | 334822409 | A-BLACK | GCP | PLR | M-B | - | - | - | - | - | - | - | - | 10 | - | 11 | 12 | - | - | 15 | - | - | - | - | 20 | SALEABLE | | 34950-2011 | 34950-2021 | 34951-1631 | 34951-1641 | | |

| ASSEMBLY DESCRIPTION | ASSEMBLY PART NUMBER | COMPONENT | | | | BLOCKED TERMINALS | | | | | | | | | | STATUS | COMMENT | OPTIONAL ATTACHMENTS SOLD SEPARATELY | | | | | | | | | | | | |
|------------------------------|----------------------|--|-------------|-----|----------|--|---|---|---|---|---|---|---|---|----|--------|---------|--------------------------------------|------------------------|-----------------------|--------------------------|----|----|----|----------|----|------------|------------|------------|------------|
| | | THE PRESENCE OF AN ABBREVIATION INDICATES THE PRESENCE OF THAT COMPONENT | | | | CAVITY WITH A NUMBER INDICATES BLOCKED TERMINAL POSITION CAVITY WITHOUT A NUMBER INDICATES OPEN TERMINAL POSITION | | | | | | | | | | | | BACKSHELL WITH RIBS | BACKSHELL WITHOUT RIBS | 90° ADAPTOR WITH RIBS | 90° ADAPTOR WITHOUT RIBS | | | | | | | | | |
| | | HOUSING KEY/COLOR | GROMMET CAP | PLR | MAT SEAL | 1 | 2 | 3 | 4 | 5 | 6 | 7 | 8 | 9 | 10 | | | | | | | 11 | 12 | 13 | 14 | 15 | 16 | 17 | 18 | 19 |
| MX150 ASSY BLD 2X10 BK A/17 | 334822410 | A-BLACK | GCP | PLR | M-B | 1 | - | - | - | - | - | - | - | - | - | - | - | - | - | - | - | - | - | 10 | SALEABLE | | 34950-2011 | 34950-2021 | 34951-1631 | 34951-1641 |
| MX150 ASSY BLD 2X10 BK A/17 | 334822411 | A-BLACK | GCP | PLR | M-B | - | 2 | - | - | 5 | 6 | - | - | - | - | - | - | - | - | - | - | - | - | 20 | SALEABLE | | 34950-2011 | 34950-2021 | 34951-1631 | 34951-1641 |
| MX150 ASSY BLD 2X10 BK A/15 | 334822412 | A-BLACK | GCP | PLR | M-B | - | 2 | - | - | 5 | 6 | 7 | - | - | - | - | - | - | - | - | - | - | - | - | SALEABLE | | 34950-2011 | 34950-2021 | 34951-1631 | 34951-1641 |
| MX150 ASSY BLD 2X10 BK A/15 | 334822413 | A-BLACK | GCP | PLR | M-B | - | 2 | - | - | 5 | 6 | - | - | - | - | - | - | - | - | - | - | - | - | 20 | SALEABLE | | 34950-2011 | 34950-2021 | 34951-1631 | 34951-1641 |
| MX150 ASSY BLD 2X10 BK A/14 | 334822414 | A-BLACK | GCP | PLR | M-B | - | 2 | 3 | - | 5 | 6 | - | - | - | - | - | - | - | - | - | - | - | - | - | SALEABLE | | 34950-2011 | 34950-2021 | 34951-1631 | 34951-1641 |
| MX150 ASSY BLD 2X10 BK A/13 | 334822415 | A-BLACK | GCP | PLR | M-B | - | 2 | - | - | 5 | 6 | 7 | - | - | - | - | - | - | - | - | - | - | - | - | SALEABLE | | 34950-2011 | 34950-2021 | 34951-1631 | 34951-1641 |
| MX150 ASSY BLD 2X10 BK A/12 | 334822416 | A-BLACK | GCP | PLR | M-B | - | 2 | 3 | - | 5 | 6 | - | - | - | - | - | - | - | - | - | - | - | - | - | SALEABLE | | 34950-2011 | 34950-2021 | 34951-1631 | 34951-1641 |
| MX150 ASSY BLD 2X10 BK A/12 | 334822417 | A-BLACK | GCP | PLR | M-B | - | 2 | 3 | - | 5 | 6 | 7 | - | - | - | - | - | - | - | - | - | - | - | - | SALEABLE | | 34950-2011 | 34950-2021 | 34951-1631 | 34951-1641 |
| MX150 ASSY BLD 2X10 BK A/10 | 334822418 | A-BLACK | GCP | PLR | M-B | - | 2 | 3 | - | 5 | 6 | 7 | - | - | - | - | - | - | - | - | - | - | - | - | SALEABLE | | 34950-2011 | 34950-2021 | 34951-1631 | 34951-1641 |
| MX150 ASSY BLD 2X10 BK A/9 | 334822419 | A-BLACK | GCP | PLR | M-B | - | 2 | - | 4 | 5 | 6 | 7 | 8 | 9 | 10 | - | - | - | - | - | - | - | - | - | SALEABLE | | 34950-2011 | 34950-2021 | 34951-1631 | 34951-1641 |
| MX150 ASSY BLD 2X10 BK A/7 | 334822420 | A-BLACK | GCP | PLR | M-B | - | 2 | - | 4 | 5 | 6 | 7 | 8 | 9 | 10 | - | - | - | - | - | - | - | - | - | SALEABLE | | 34950-2011 | 34950-2021 | 34951-1631 | 34951-1641 |
| MX150 ASSY BLD 2X10 BK A/6 | 334822421 | A-BLACK | GCP | PLR | M-B | - | 2 | 3 | 4 | 5 | 6 | 7 | 8 | 9 | 10 | - | - | - | - | - | - | - | - | - | SALEABLE | | 34950-2011 | 34950-2021 | 34951-1631 | 34951-1641 |
| MX150 ASSY BLD 2X10 BK A/4 | 334822422 | A-BLACK | GCP | PLR | M-B | - | 2 | 3 | 4 | 5 | 6 | 7 | 8 | 9 | 10 | - | - | - | - | - | - | - | - | - | SALEABLE | | 34950-2011 | 34950-2021 | 34951-1631 | 34951-1641 |
| MX150 ASSY BLD 2X10 LTB A/20 | 334822423 | A-LIGHT BLUE | GCO | PLR | M-B | - | - | - | - | - | - | - | - | - | - | - | - | - | - | - | - | - | - | - | SALEABLE | | 34950-2011 | 34950-2021 | 34951-1631 | 34951-1641 |

| TABLE OF CONTENTS | |
|-------------------|--------------------------|
| SHEET NO. | SHEET DESCRIPTION |
| 1 | NOTES AND BOM |
| 2 | CONFIGURATIONS |
| 3-4 | KEY CONFIGURATIONS |
| 5 | BLADE SEALED ASSEMBLY |
| 6 | SYSTEM PACKAGING |
| 7 | BACKSHELL NOTES |
| 8 | BACKSHELL |
| 9 | BACKSHELL CONFIGURATIONS |

NOTES: VALID UNLESS OTHERWISE SPECIFIED

1. GENERAL:
a. APPLICATION SPECIFICATION SEE: AS-33472-100
-CONTAINS: PRODUCT INTRODUCTION, PRODUCT SUMMARY, CONNECTOR ASSEMBLY, PACKAGING INFORMATION, CONNECTOR MATING, SERVICE INSTRUCTIONS, ELECTRICAL CONTINUITY CHECKING, CRIMPING, AND TROUBLESHOOTING.
-DESIGNED TO MATE WITH RECEPTACLE SEALED ASSEMBLY AS SPECIFIED IN THE MATING CONNECTOR DRAWINGS CHART.
*DENOTES DRAWINGS THAT CAN BE ACCESSED AT <http://ewcap.uscarteams.org/>.
-ASSEMBLY SHIPPED WITH PLR IN PRE-LOCK POSITION (SEE PLR PRE-LOCK VIEW SHEET 5).

b. PRODUCT SPECIFICATION SEE:
-STANDARD CONFIGURATION: PS-33472-000
-UL V0 CONFIGURATION: TBD
CONTAINS: PRODUCT INTRODUCTION, PRODUCT SUMMARY, RATINGS (CURRENT, TEMPERATURE, SEALING, AND FLAMMABILITY), TERMINALS, WIRE DIAMETER RANGE, PRODUCT VALIDATION, AND PRODUCT DEVIATIONS.

c. PACKAGING SPECIFICATION PER MOLEX DRAWING: PK-31300-635

d. PARTS MUST BE IN COMPLIANCE TO MOLEX CHEMICAL SUBSTANCES FOR PRODUCTS AND PACKAGING SPECIFICATION: QEHS-699000-300

e. DATA MUST BE SUBMITTED UNDER THE MOLEX PART NUMBER TO IMDS (COMPANY ID#13255)

2. DESIGN - MATERIALS:
a. FOR BILL OF MATERIALS SEE:
-STANDARD CONFIGURATION: SD-33482-0002
-UL V0 CONFIGURATION: SD-160084-0002

3. DESIGN - GEOMETRY:
a. THE 3-D CAD DATA IS BASIC (WITHOUT TOLERANCE) AND MASTER FOR THIS PART WITH THE EXCEPTION OF UNDERLINED DIMENSIONS. DIMENSIONAL INFORMATION NOT SHOWN ON THIS DRAWING IS DEFINED BY THE DATA FILE AT ITS LATEST REVISION.
b. GEOMETRIC DIMENSIONS AND TOLERANCES PER ASME Y14.5M-2009
c. EDGES AND UNDIMENSIONED DETAILS PER ISO13715
d. CORNERS SHOWN AS SHARP TO BE R 0.2 MAX.
e. LETTERING SHALL BE 0.15 MAX RAISED IN 0.25 MAX RECESS PAD. THIS INCLUDES RECYCLING CODE, CAVITY ID, VENDOR IDENTIFICATION, AND CUSTOMER MATERIAL NUMBER.
f. VISUAL DEFECTS SHALL MEET COSMETIC STANDARD PS-45499-002 (Class B).
g. LASER MARKING:
1. PART NUMBER
2. DAY OF THE YEAR
3. SHIFT
4. YEAR
FOR ADDITIONAL INFORMATION SEE SECTION 5 UNDER PROCEDURES IN ES-34735-008.

| MATING CONNECTOR DRAWINGS | |
|---------------------------|---------------|
| DESCRIPTION | MOLEX INLINE |
| 2X2 | SD-33472-0001 |
| 2X3 | SD-33472-0001 |
| 2X4 | SD-33472-0001 |
| 2X6 | SD-33472-0001 |
| 2X8 | SD-33472-0001 |
| 2X10 | SD-33472-0001 |



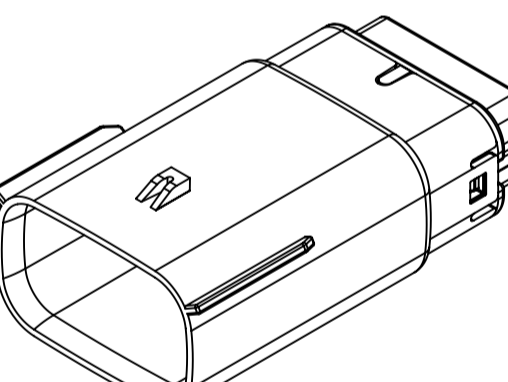
2X2



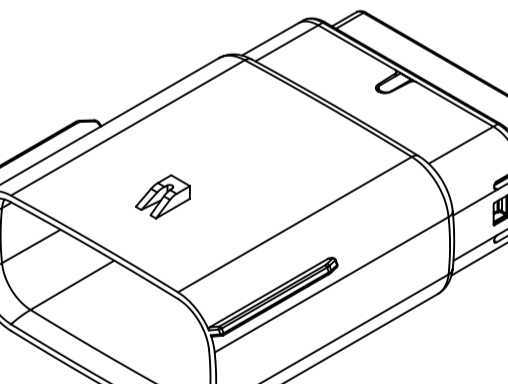
2X3



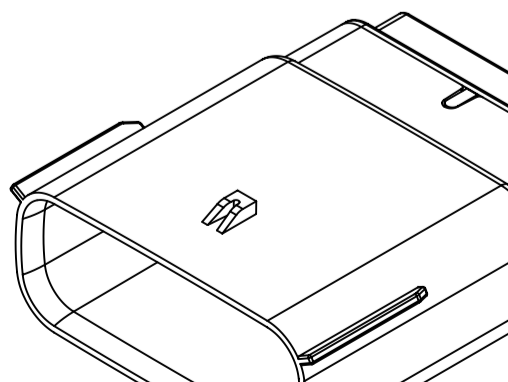
2X4



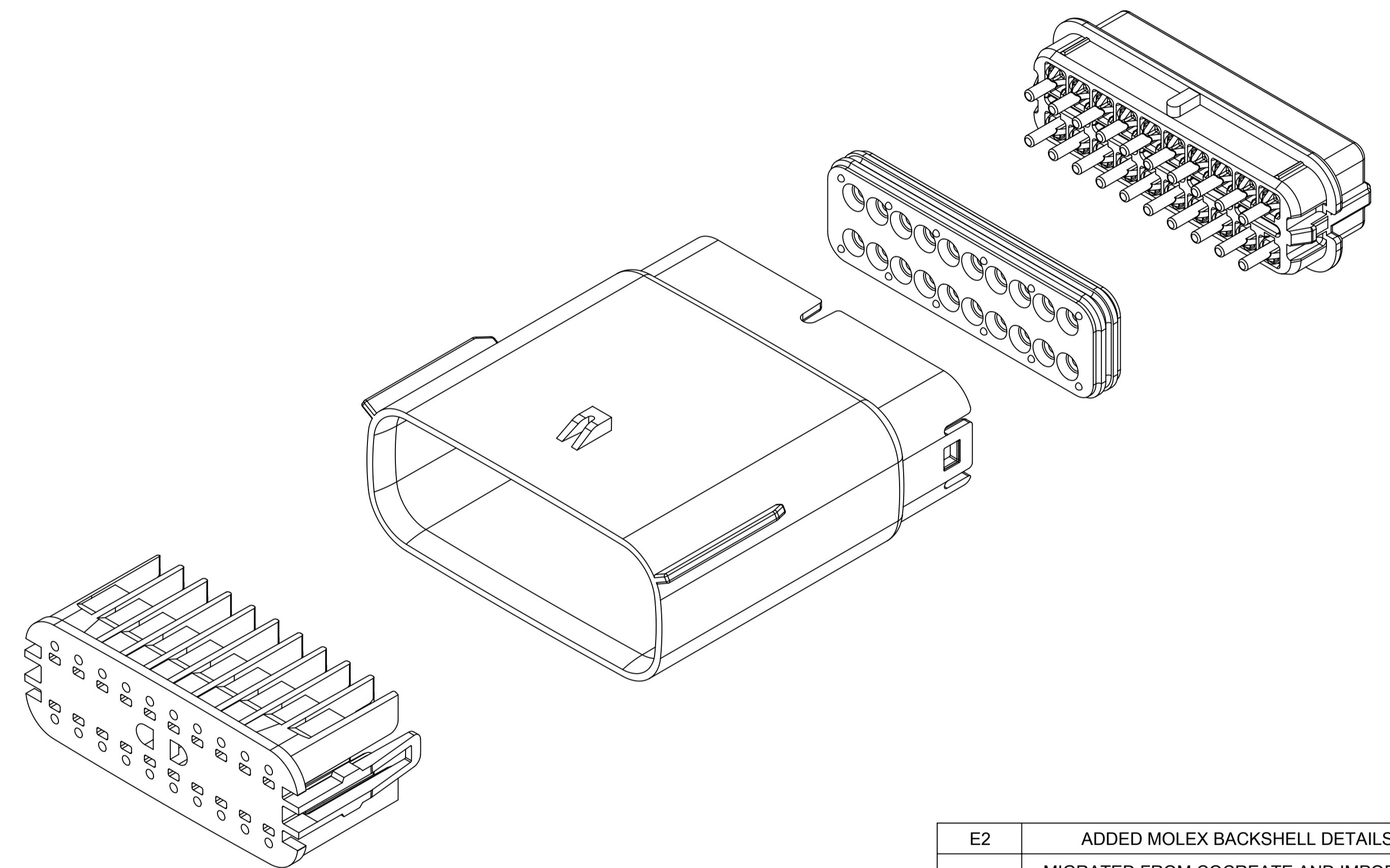
2X6



2X8



2X10

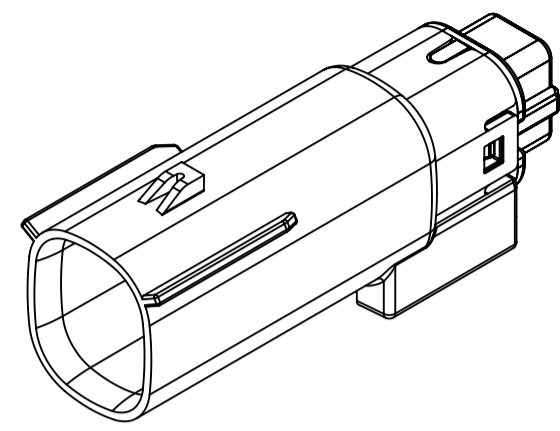


| REV | DESCRIPTION |
|-----|---|
| E2 | ADDED MOLEX BACKSHELL DETAILS |
| E1 | MIGRATED FROM COCREATE AND IMPORTED DXF FILES |
| E | ADDED CHARTED DIMENSIONS FOR 2X2, 2X4, 2X6 AND 2X8 WITH CLIPSLLOT |
| D | MINOR GEOMETRY CHANGE FOR UL V0 |
| C3 | ADD 2X4 |
| C2 | ADD 2X3 |
| C1 | ADD UL V0 CONFIGURATIONS |
| C | ADD 2X8 |
| B1 | ADD 2X6 BACKSHELL INFO |
| B | ADD 2X6 |
| A | INITIAL RELEASE |
| REV | REV DESCRIPTION |

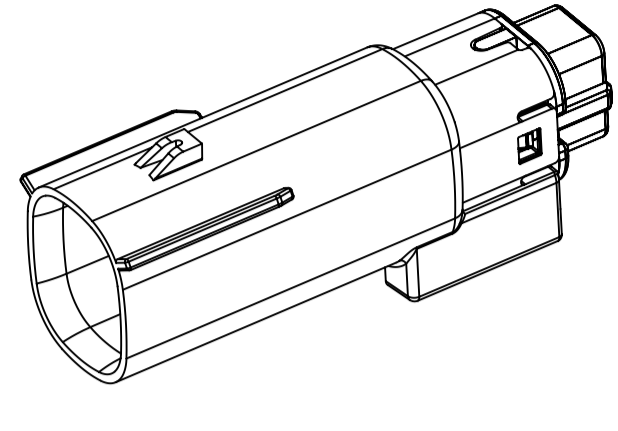
| INSPECTION NUMBER LOG | |
|-----------------------|---|
| LAST NUMBER: | 9 |
| ADDED: | |
| REMOVED: | |

| | | | | | | | | |
|--|---|--|---|--|---|--|-------------------------|--|
| SYMBOLS = 0 mm = 0 GENERAL TOLERANCES (UNLESS SPECIFIED) = 0 ANGULAR TOL ± 1.0° = 0 4 PLACES ± = 0 3 PLACES ± = 0 2 PLACES ± 0.1 = 0 1 PLACE ± 0.2 = 0 0 PLACES ± = 0 DRAFT WHERE APPLICABLE MUST REMAIN WITHIN DIMENSIONS | THIS DRAWING CONTAINS INFORMATION THAT IS PROPRIETARY TO MOLEX ELECTRONIC TECHNOLOGIES, LLC AND SHOULD NOT BE USED WITHOUT WRITTEN PERMISSION | | SCALE 1.5:1 | | CURRENT REV DESC: EC NO: 171650 DRWN: PMANJUNATHAC 2018/01/03 CHK'D: MVANSLAMBROU 2018/02/16 APPR: MVANSLAMBROU 2018/02/16 | | | |
| | GENERAL TOLERANCES (UNLESS SPECIFIED) | | INITIAL REVISION: DRWN: APROFFITT 2014/04/28 APPR: VKOSHY 2014/05/14 | | DOCUMENT NUMBER SD-33482-0001 | | | |
| | PRODUCT CUSTOMER DRAWING | | MATERIAL NUMBER 33482 | | CUSTOMER GENERAL MARKET | | SHEET NUMBER 1 OF 11 | |
| | THIRD ANGLE PROJECTION | | DRAWING A1-SIZE | | SERIES 33482 | | | |

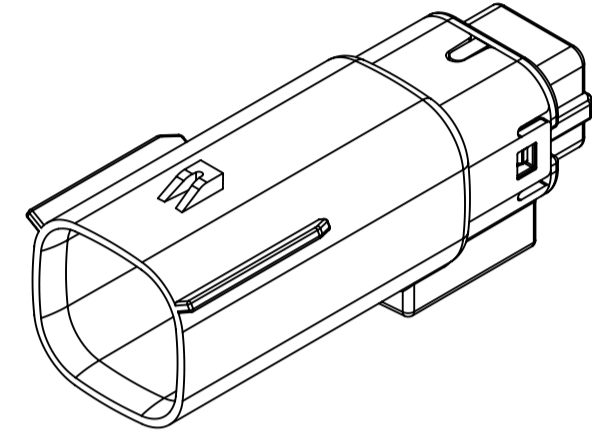
SHEET DESCRIPTION
CONFIGURATIONS



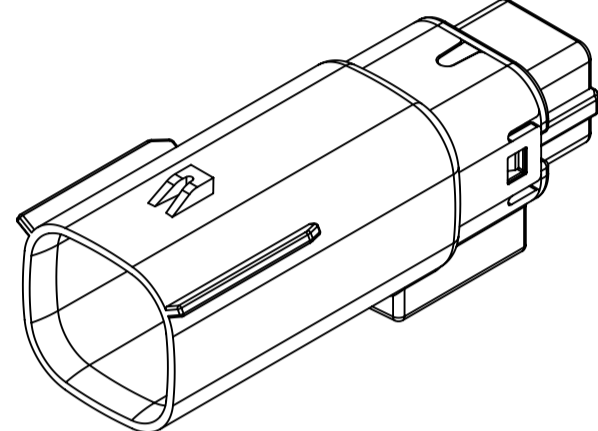
2X2 - STANDARD (STD)



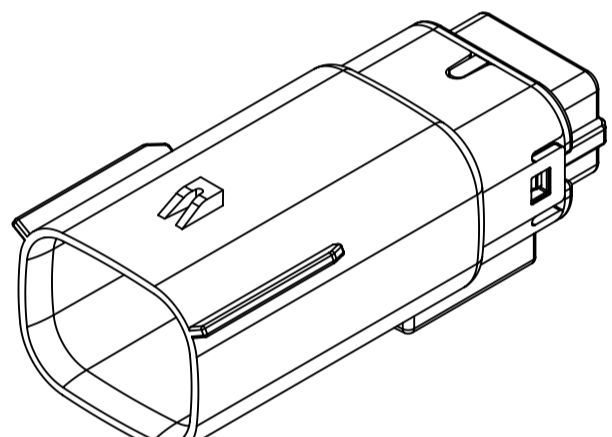
2X2 - UL V0*



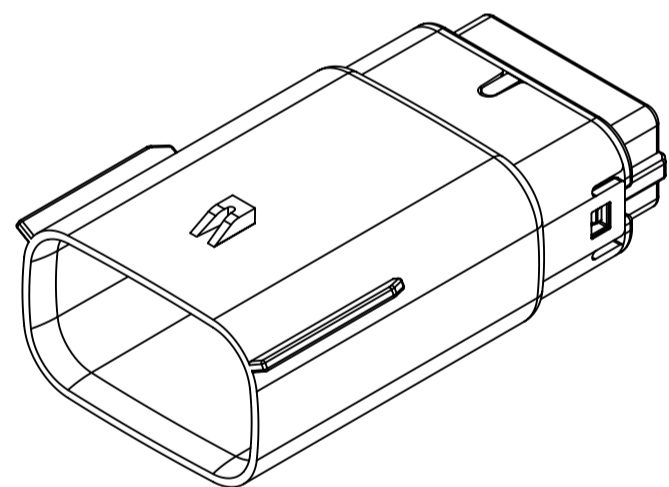
2X3 - STANDARD (STD)



2X3 - LENGTHENED



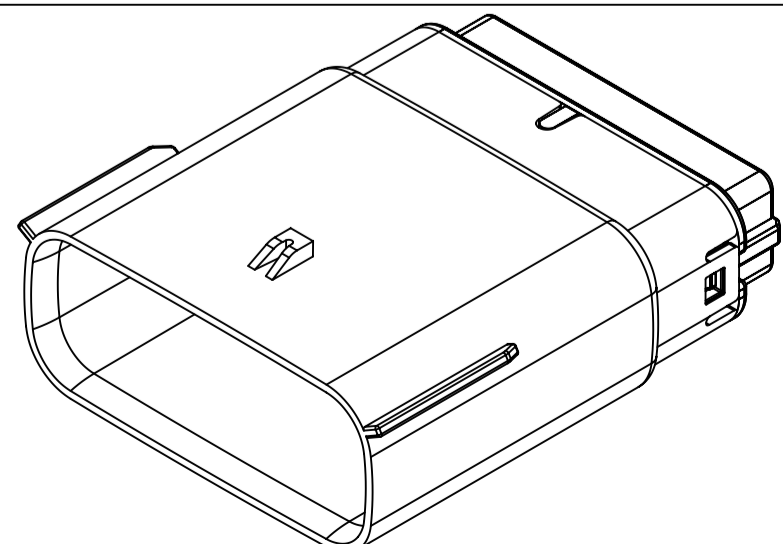
2X4 - STANDARD (STD)



2X6 - STANDARD (STD)



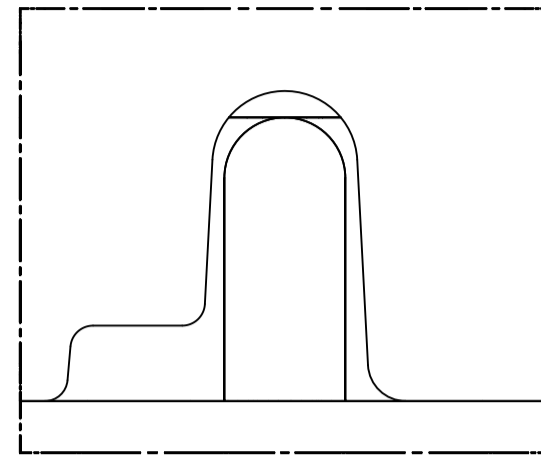
2X8 - STANDARD (STD)



2X10 - STANDARD (STD)



2X10 - UL V0*



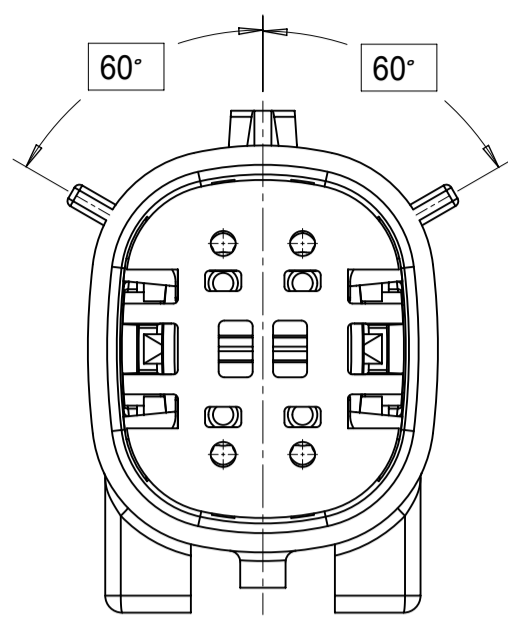
UL V0 UNIQUE FEATURE
Partial1
SCALE 10:1

* MINOR GEOMETRY CHANGE THAN STANDARD CONFIGURATION.
SEE NOTE 2a FOR MORE INFORMATION

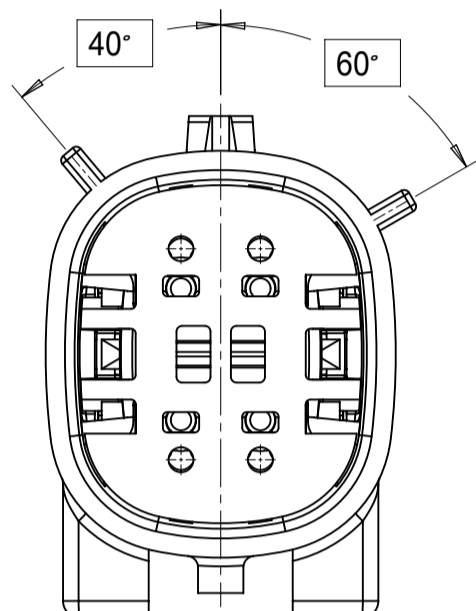
| | | | | | |
|---------|---|-------|--------------------------------|--------|--|
| SYMBOLS | THIS DRAWING CONTAINS INFORMATION THAT IS PROPRIETARY TO MOLEX ELECTRONIC TECHNOLOGIES, LLC AND SHOULD NOT BE USED WITHOUT WRITTEN PERMISSION | | CURRENT REV DESC: | | molex |
| | DIMENSION UNITS | SCALE | | | |
| ▽ = 0 | mm | 1.5:1 | EC NO: 171650 | | MX150 BLADE DUAL ROW SEALED ASSEMBLY MAT SEAL |
| ▽ = 0 | GENERAL TOLERANCES (UNLESS SPECIFIED) | | DRWN: PMANJUNATHAC 2018/01/03 | | |
| ▽ = 0 | ANGULAR TOL ± 1.0° | | CHK'D: MVANSLAMBROU 2018/02/16 | | |
| ▽ = 0 | 4 PLACES ± | | APPR: MVANSLAMBROU 2018/02/16 | | |
| ▽ = 0 | 3 PLACES ± | | INITIAL REVISION: | | |
| ▽ = 0 | 2 PLACES ± 0.1 | | DRWN: APROFFITT 2014/04/28 | | |
| ▽ = 0 | 1 PLACE ± 0.2 | | APPR: VKOSHY 2014/05/14 | | |
| ▽ = 0 | 0 PLACES ± | | THIRD ANGLE PROJECTION | | |
| ▽ = 0 | DRAFT WHERE APPLICABLE MUST REMAIN WITHIN DIMENSIONS | | DRAWING | SERIES | DOCUMENT NUMBER |
| | | | A1-SIZE | 33482 | SD-33482-0001 |
| | | | | | DOC TYPE DOC PART REVISION |
| | | | | | PSD 001 E2 |
| | | | | | PRODUCT CUSTOMER DRAWING |
| | | | | | CUSTOMER |
| | | | | | GENERAL MARKET |
| | | | | | SHEET NUMBER |
| | | | | | 2 OF 11 |

SHEET DESCRIPTION
KEY CONFIGURATIONS

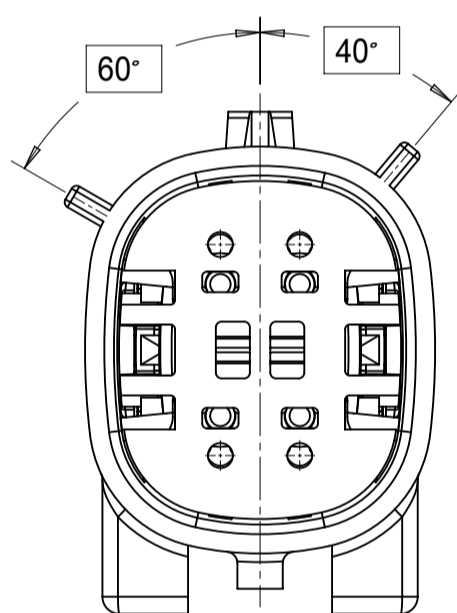
2X2



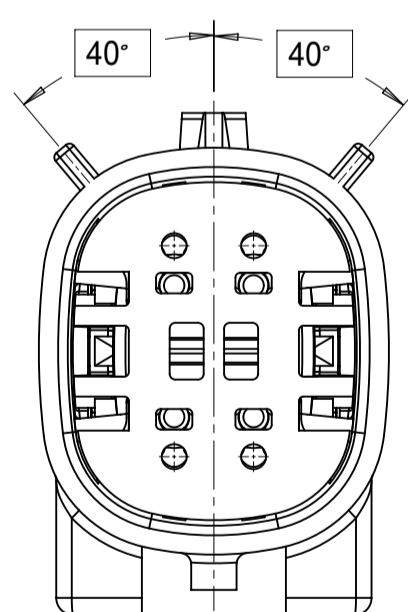
KEY A



KEY B

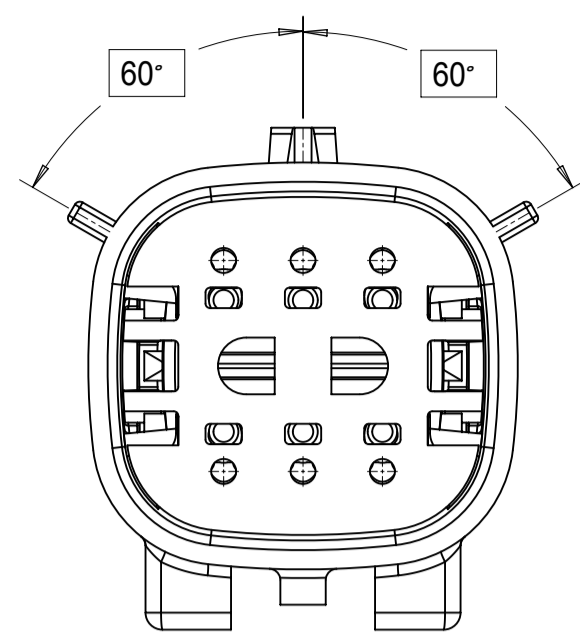


KEY C

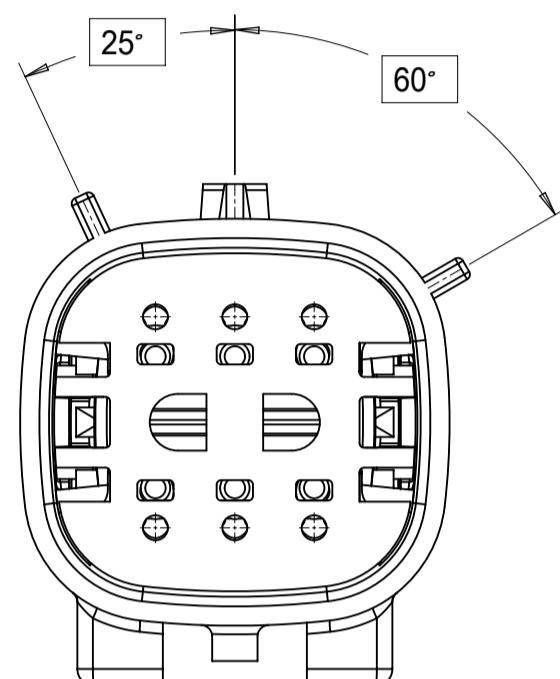


KEY D

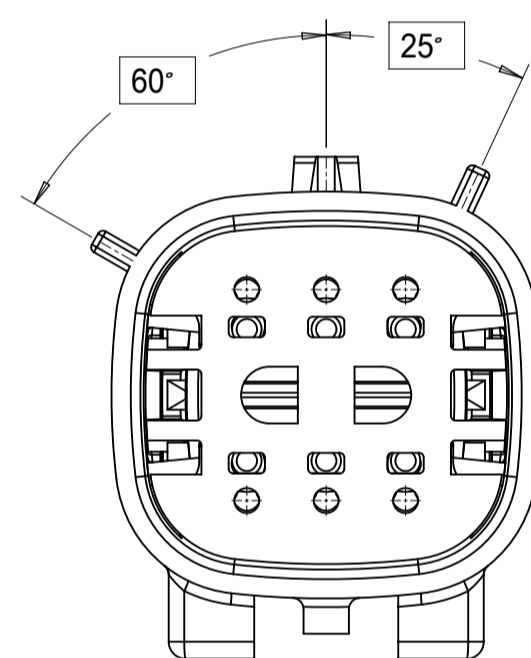
2X3



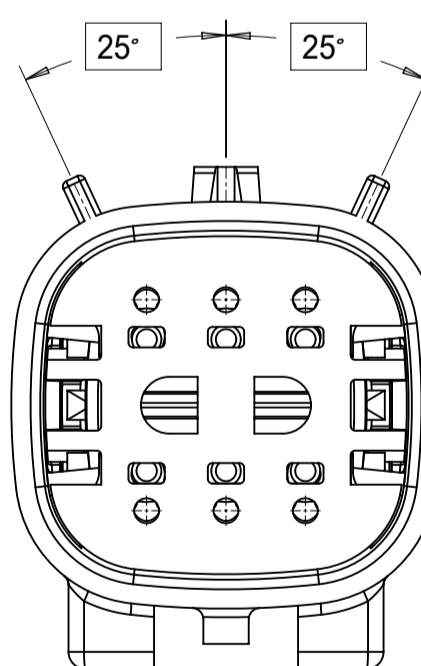
KEY A



KEY B

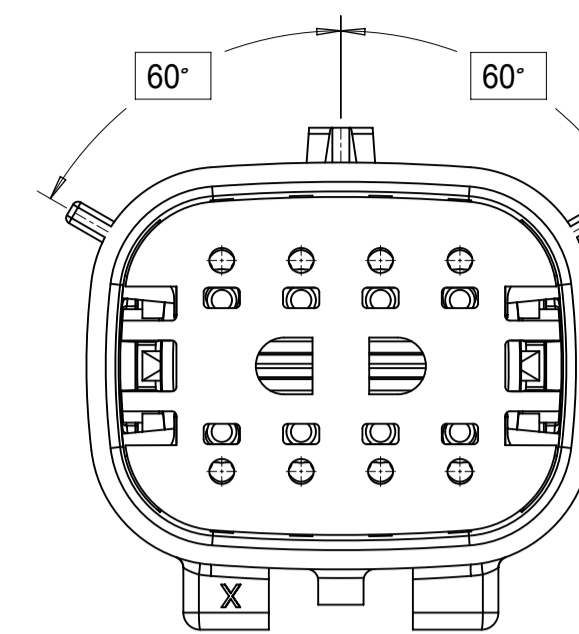


KEY C

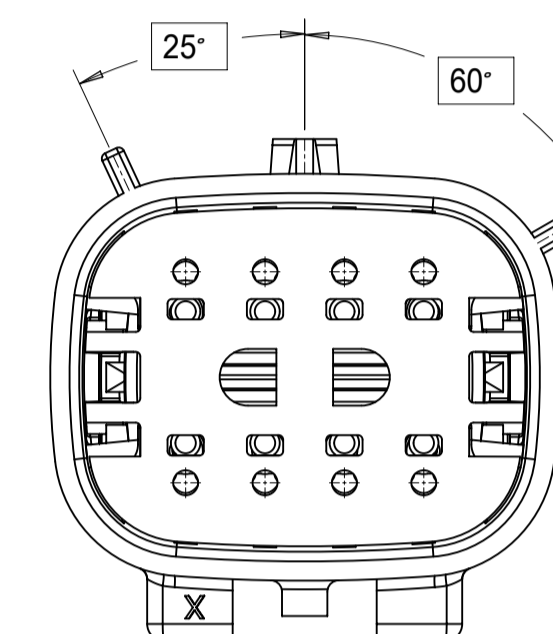


KEY D

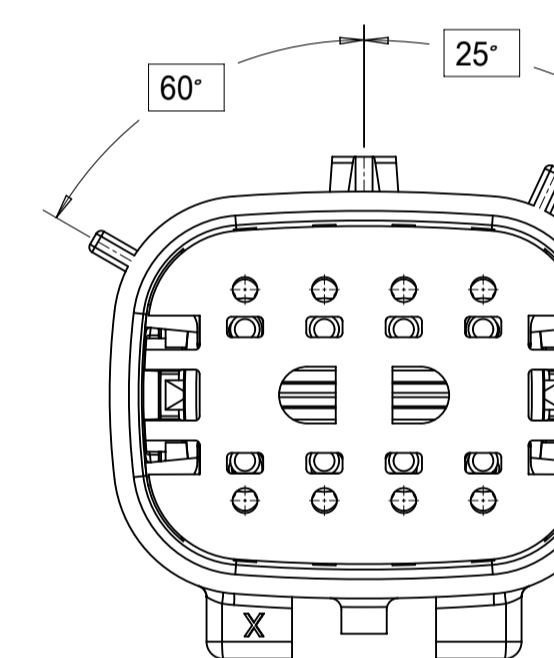
2X4



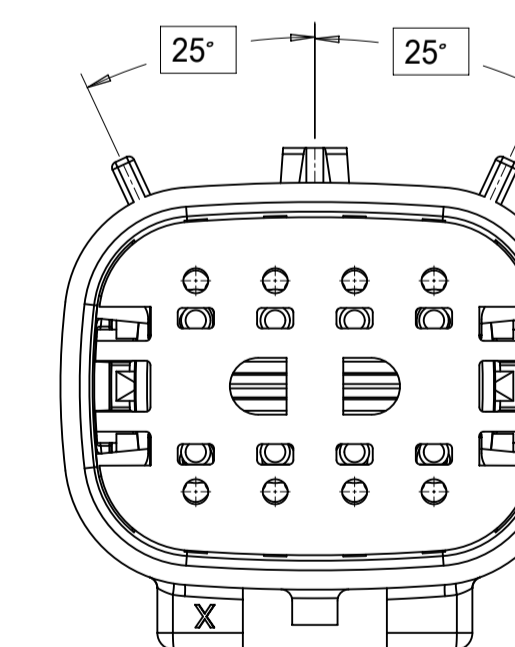
KEY A



KEY B



KEY C



KEY D

THIS DRAWING CONTAINS INFORMATION THAT IS PROPRIETARY TO MOLEX ELECTRONIC TECHNOLOGIES, LLC AND SHOULD NOT BE USED WITHOUT WRITTEN PERMISSION

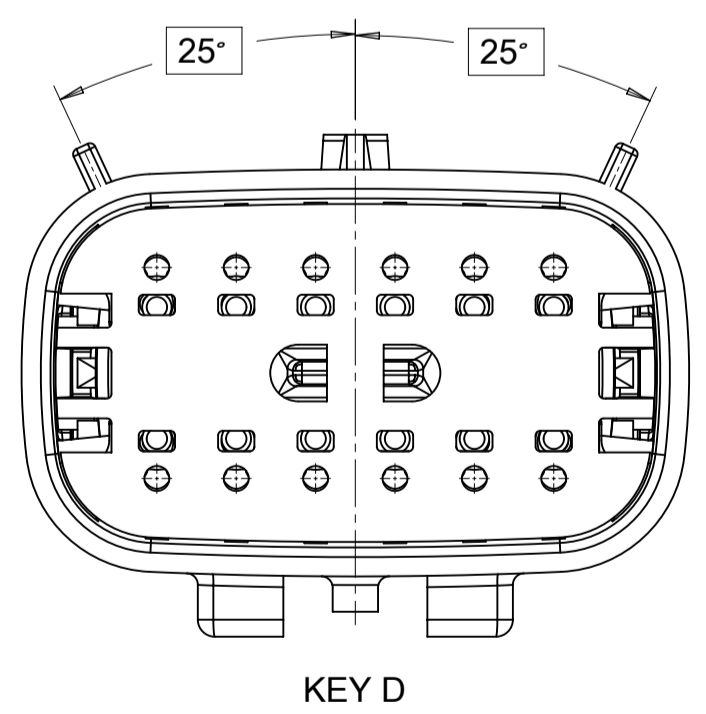
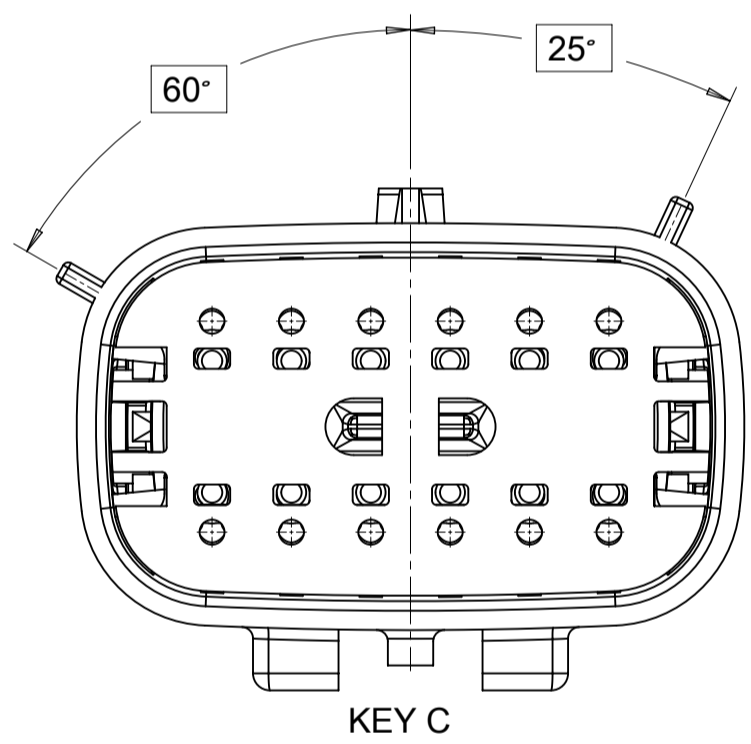
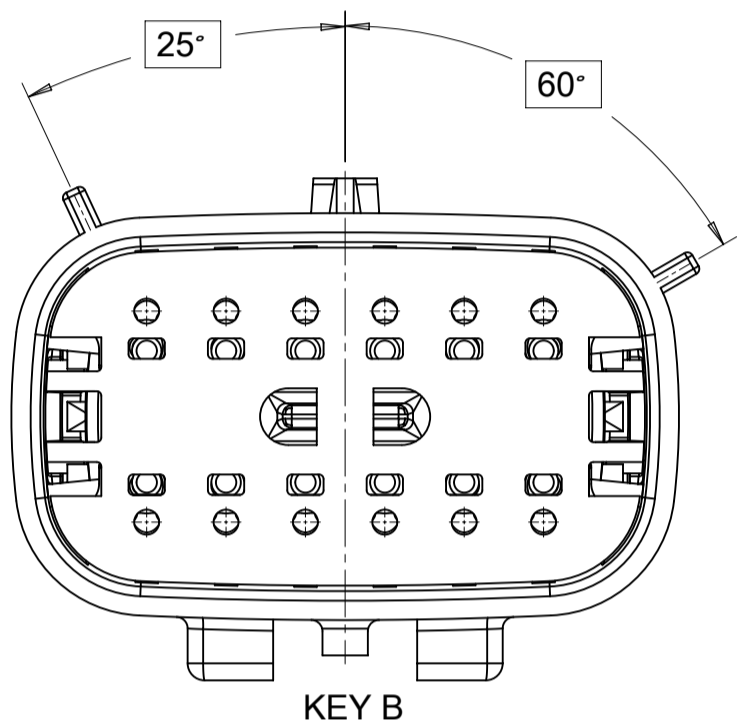
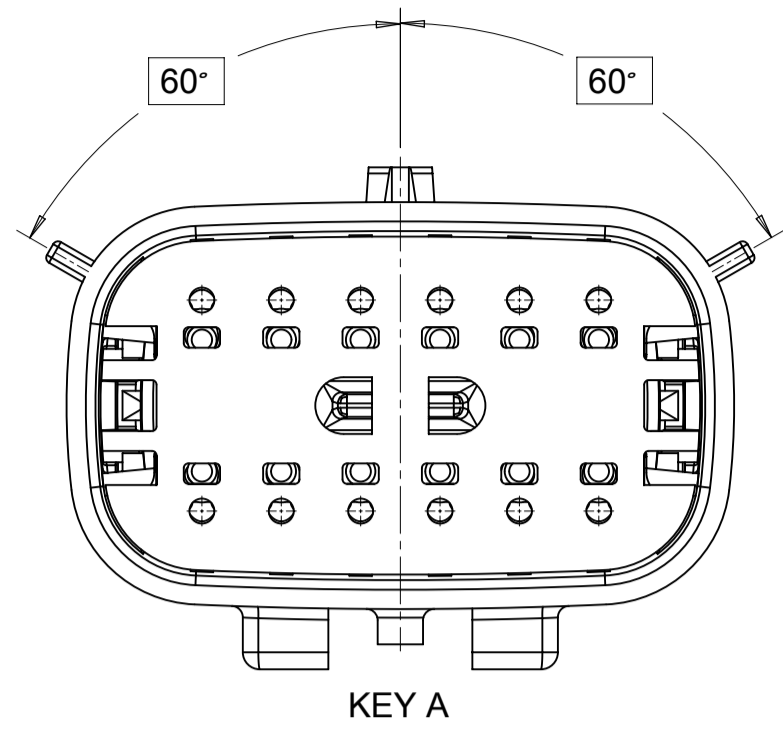
| SYMBOLS | DIMENSION UNITS | SCALE |
|---------|--|---------|
| | mm | 3:1 |
| | GENERAL TOLERANCES (UNLESS SPECIFIED) | |
| | ANGULAR TOL ± 1.0° | |
| | 4 PLACES ± | |
| | 3 PLACES ± | |
| | 2 PLACES ± 0.1 | |
| | 1 PLACE ± 0.2 | |
| | 0 PLACES ± | |
| | DRAFT WHERE APPLICABLE MUST REMAIN WITHIN DIMENSIONS | |
| | THIRD ANGLE PROJECTION | DRAWING |
| | A1-SIZE | SERIES |
| | 33482 | |

| CURRENT REV DESC: | | |
|------------------------|--------------|------------|
| EC NO: | 171650 | |
| DRWN: | PMANJUNATHAC | 2018/01/03 |
| CHK'D: | MVANSLAMBROU | 2018/02/16 |
| APPR: | MVANSLAMBROU | 2018/02/16 |
| INITIAL REVISION: | | |
| DRWN: | APROFFITT | 2014/04/28 |
| APPR: | VKOSHY | 2014/05/14 |
| THIRD ANGLE PROJECTION | DRAWING | SERIES |
| | A1-SIZE | 33482 |

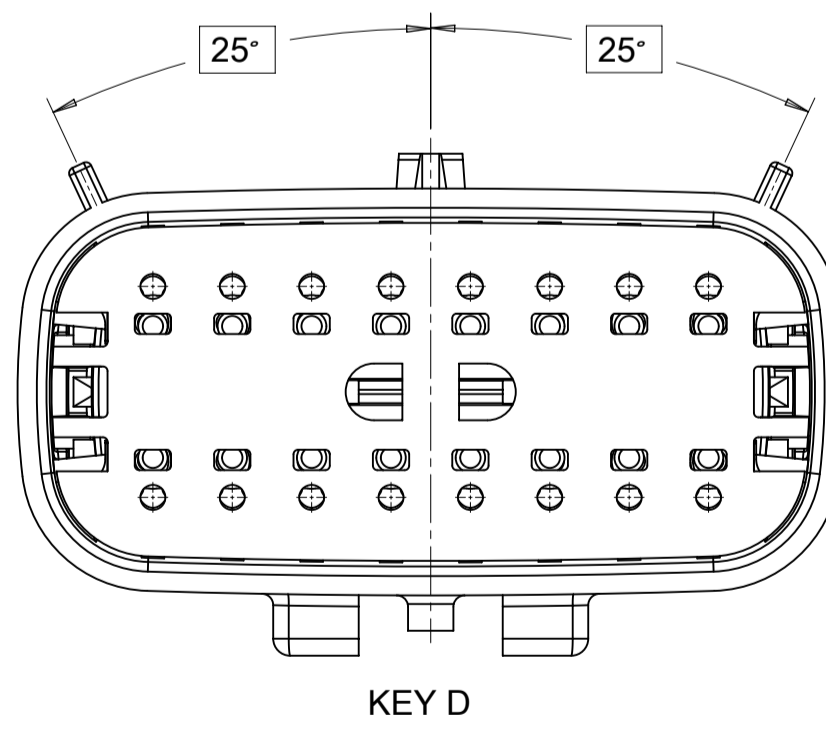
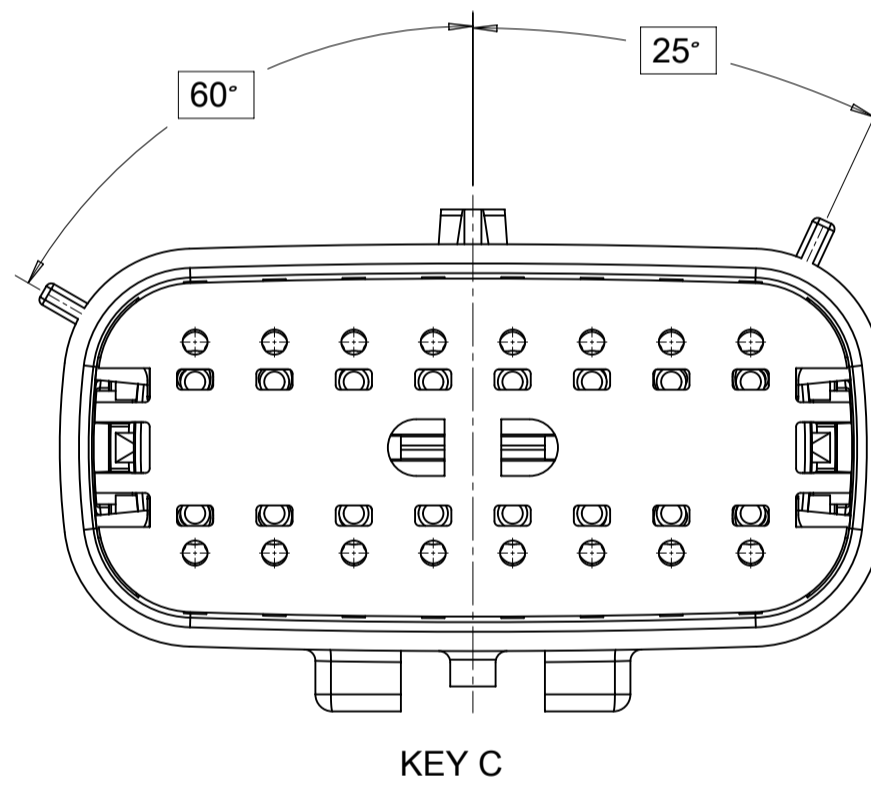
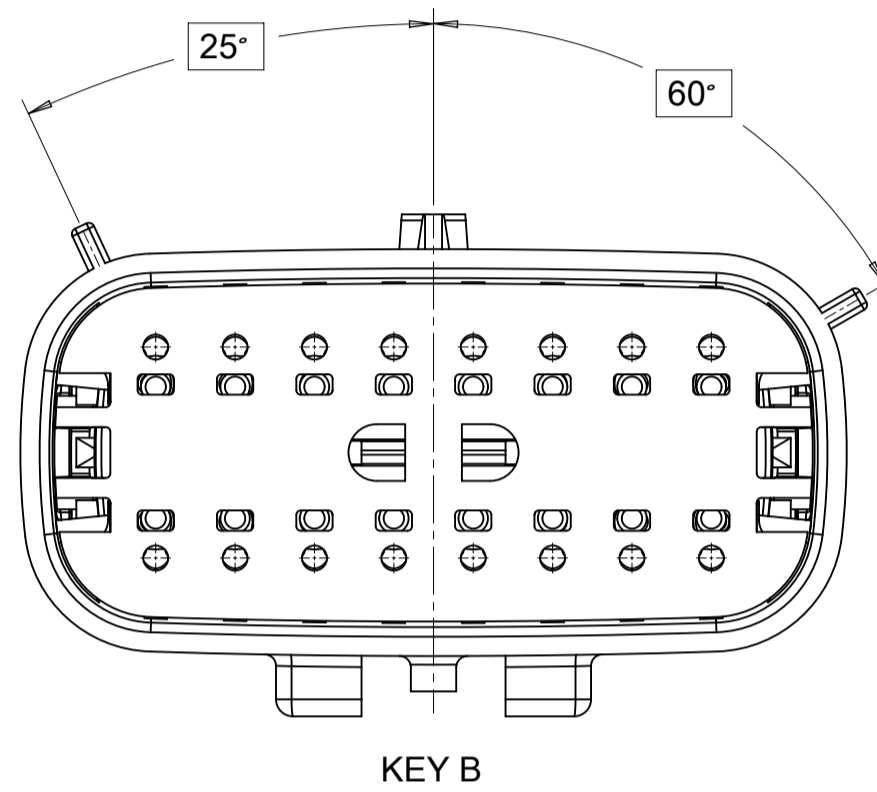
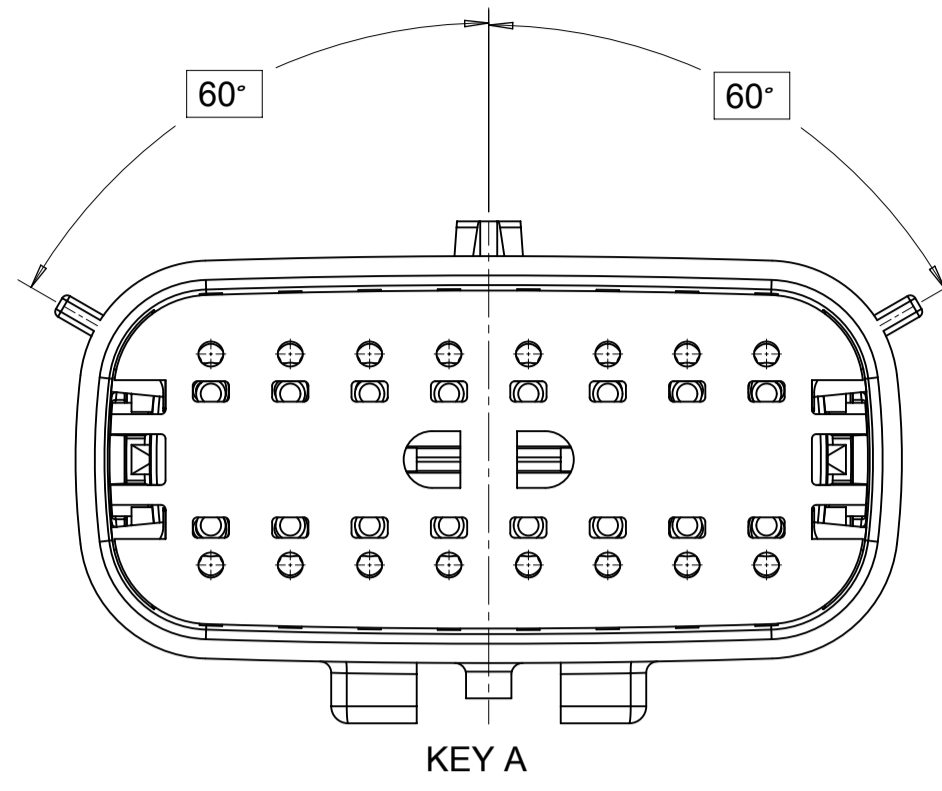
| | | |
|--|----------------|--------------|
| molex | | |
| MX150 BLADE DUAL ROW SEALED ASSEMBLY MAT SEAL | | |
| PRODUCT CUSTOMER DRAWING | | |
| DOCUMENT NUMBER | DOC TYPE | DOC PART |
| SD-33482-0001 | PSD | 001 |
| MATERIAL NUMBER | CUSTOMER | SHEET NUMBER |
| | GENERAL MARKET | 3 OF 11 |

SHEET DESCRIPTION
KEY CONFIGURATIONS CONT.

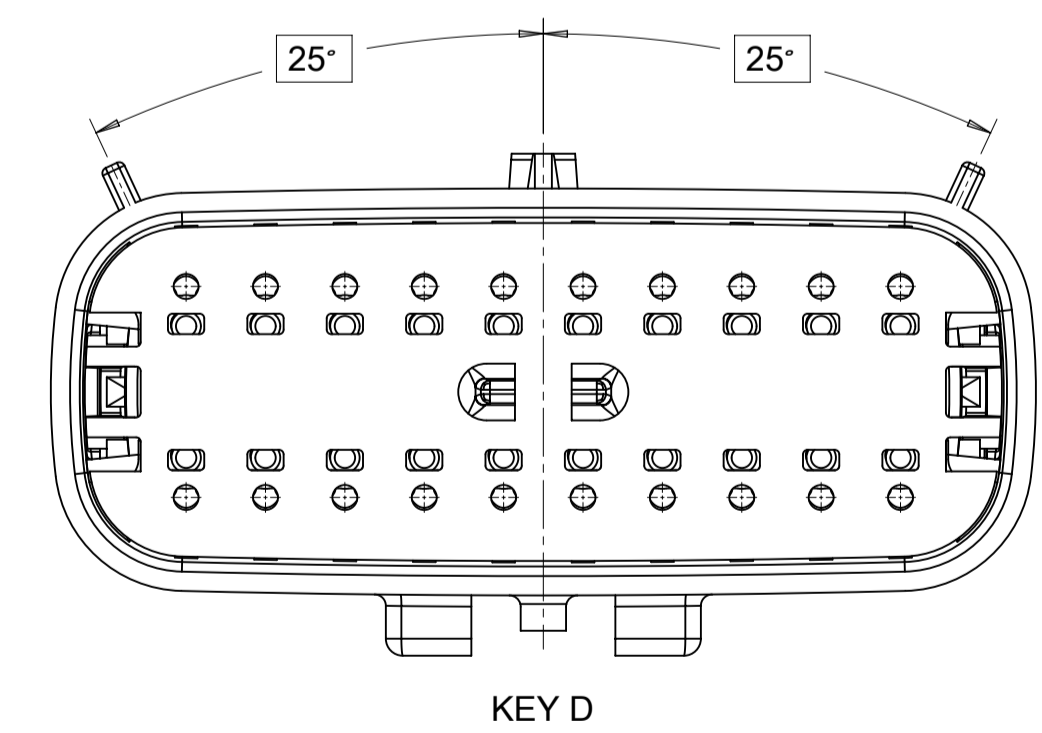
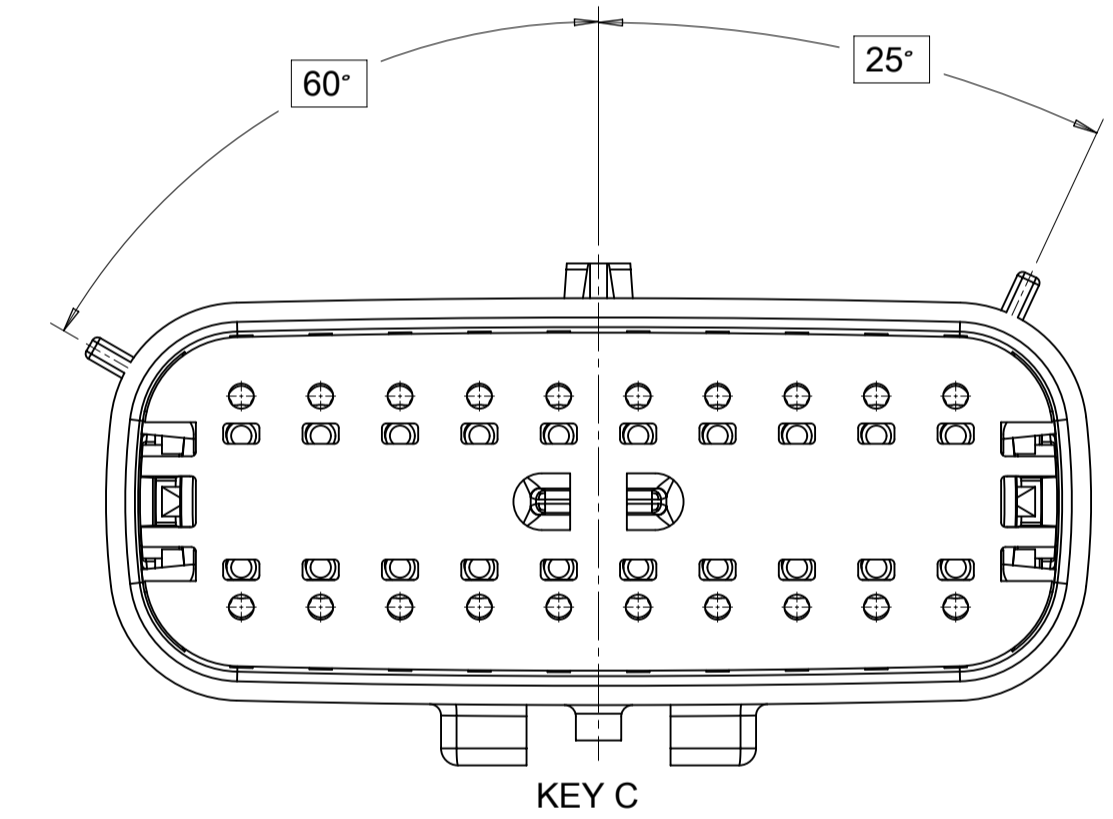
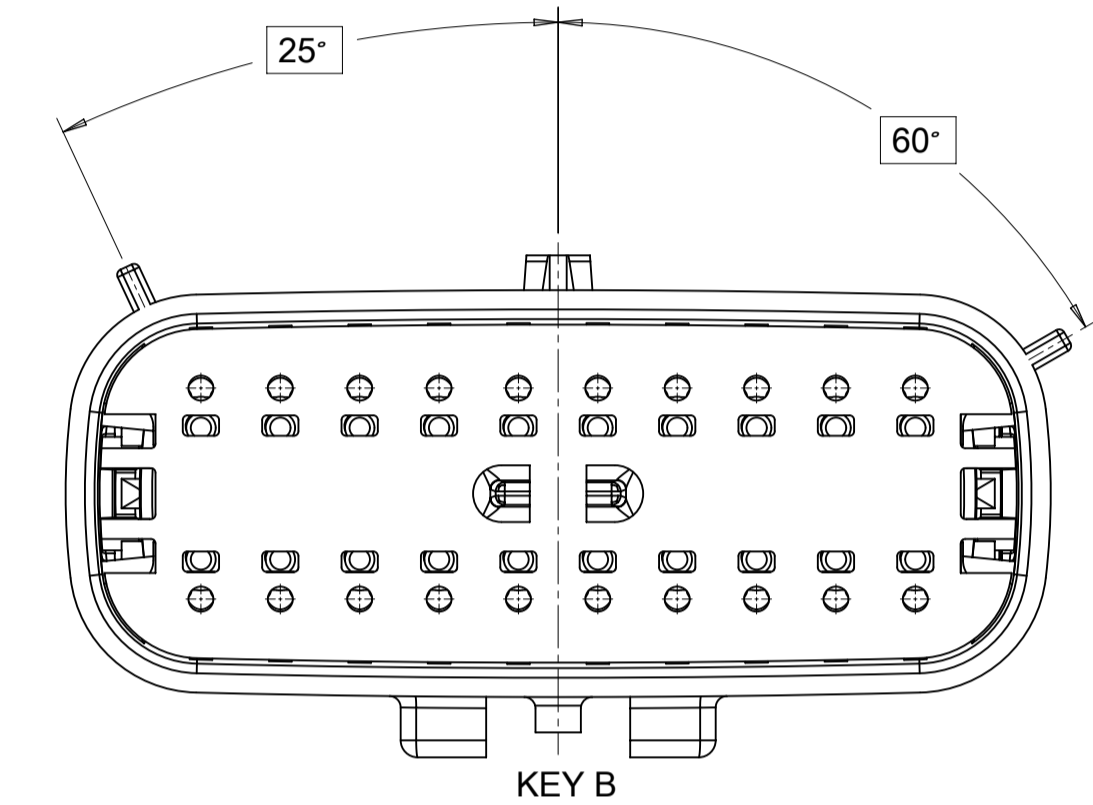
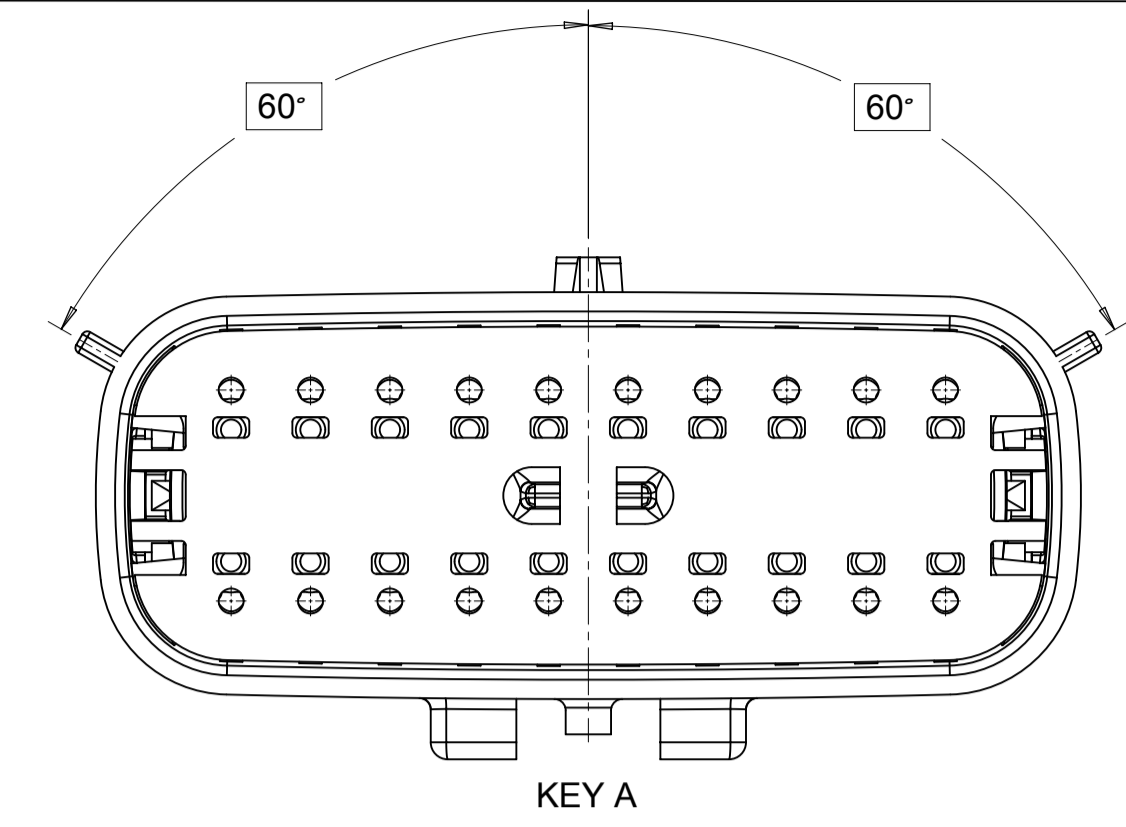
2X6



2X8



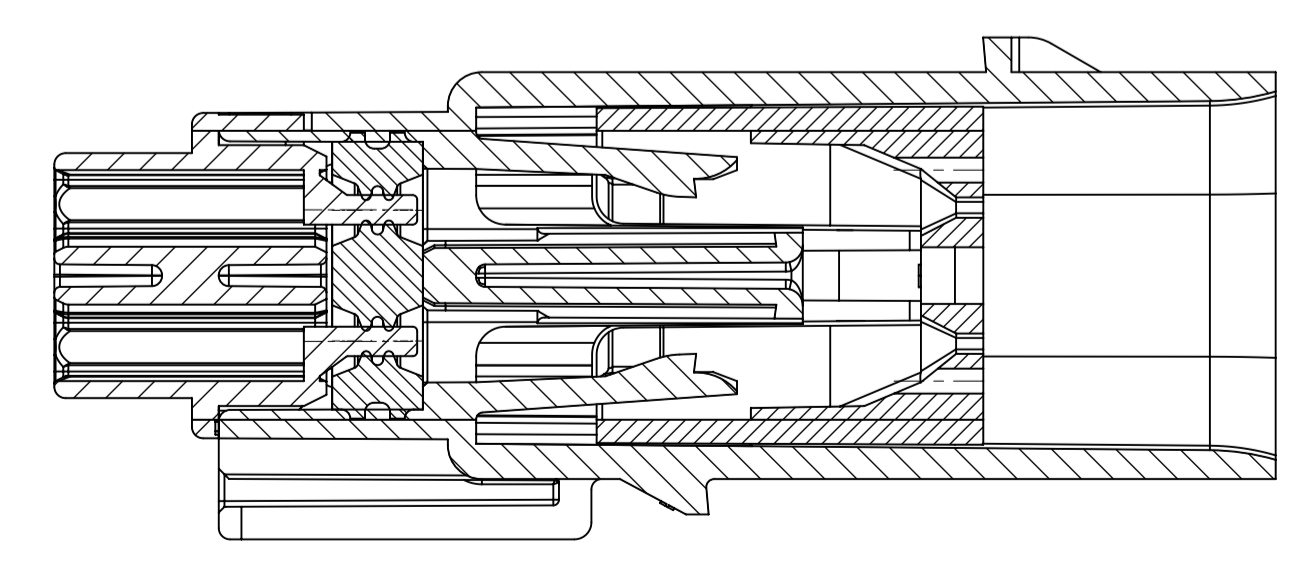
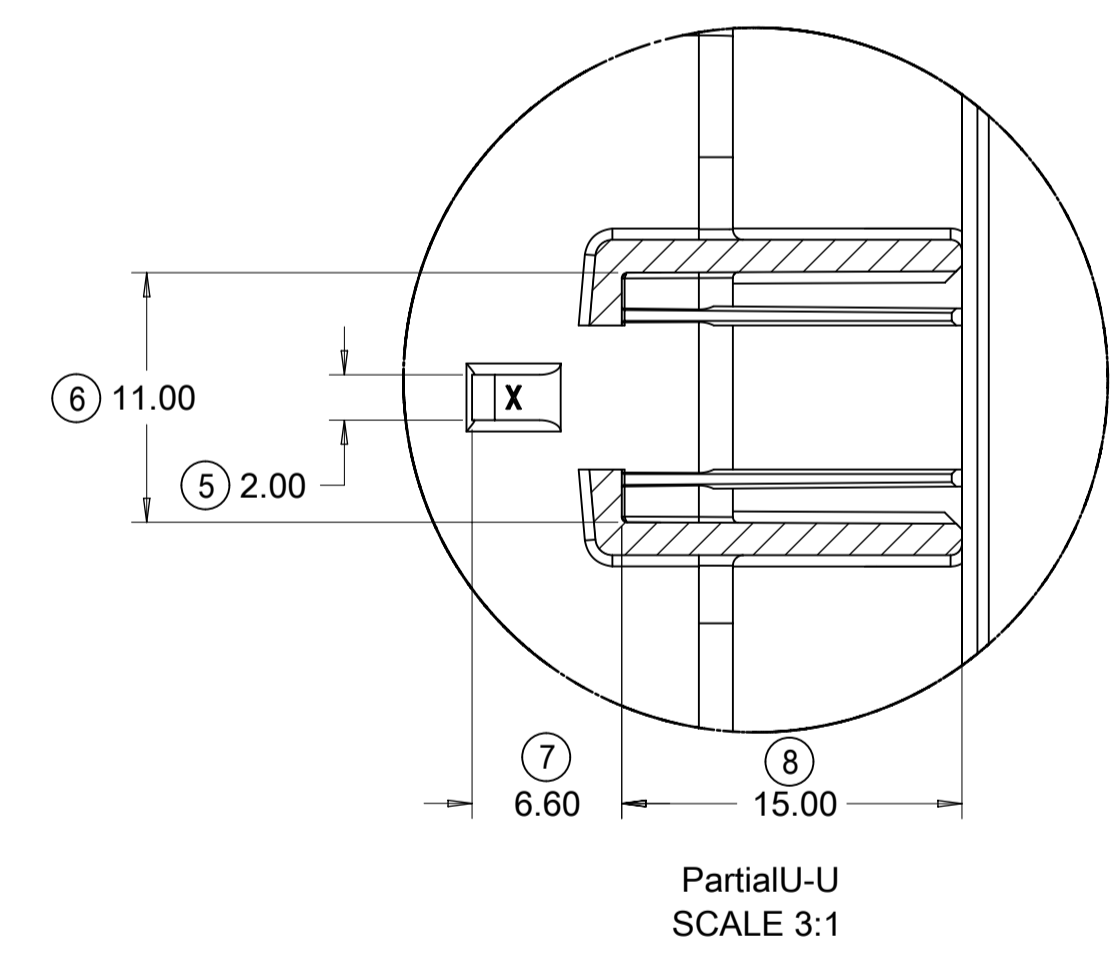
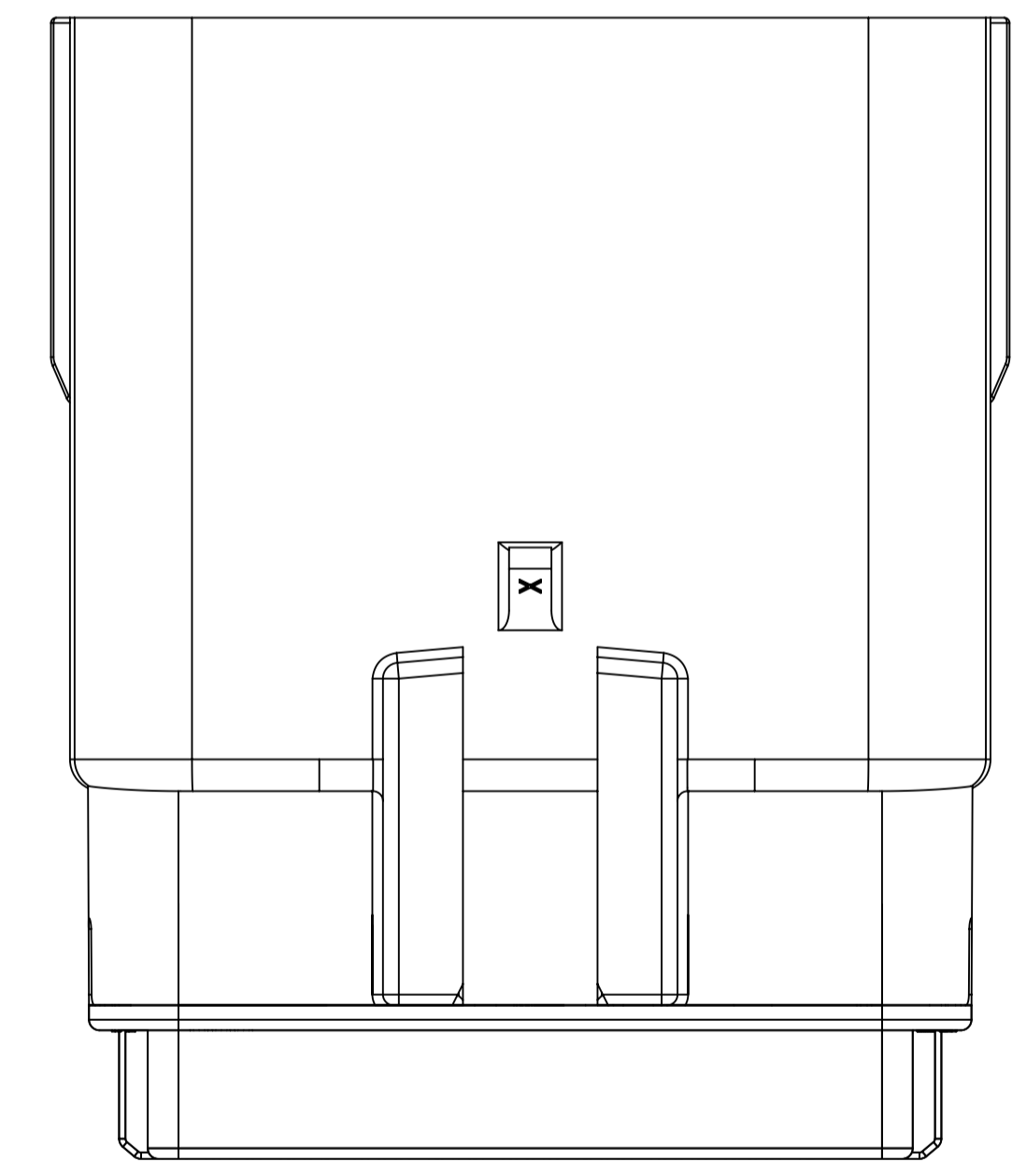
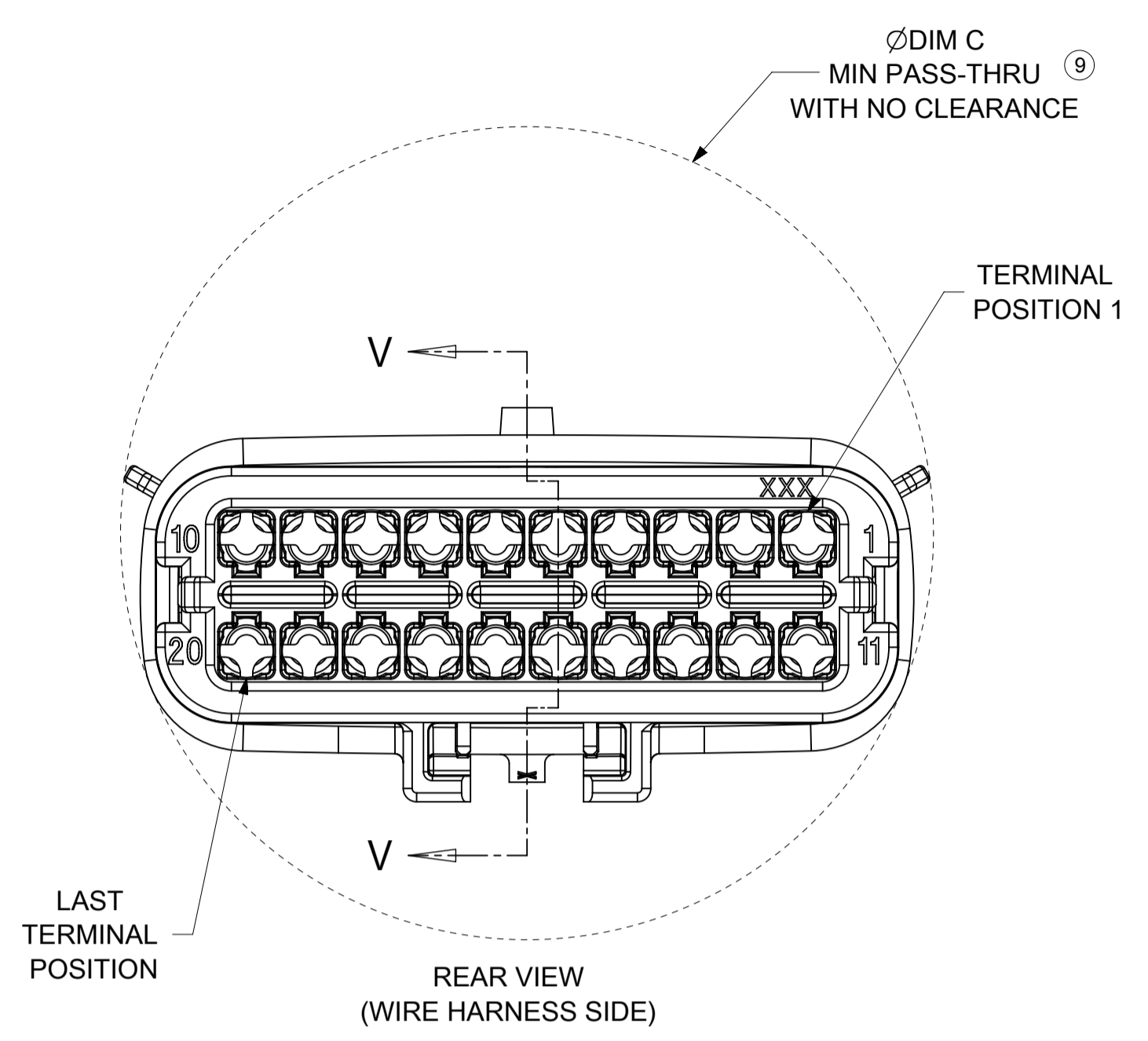
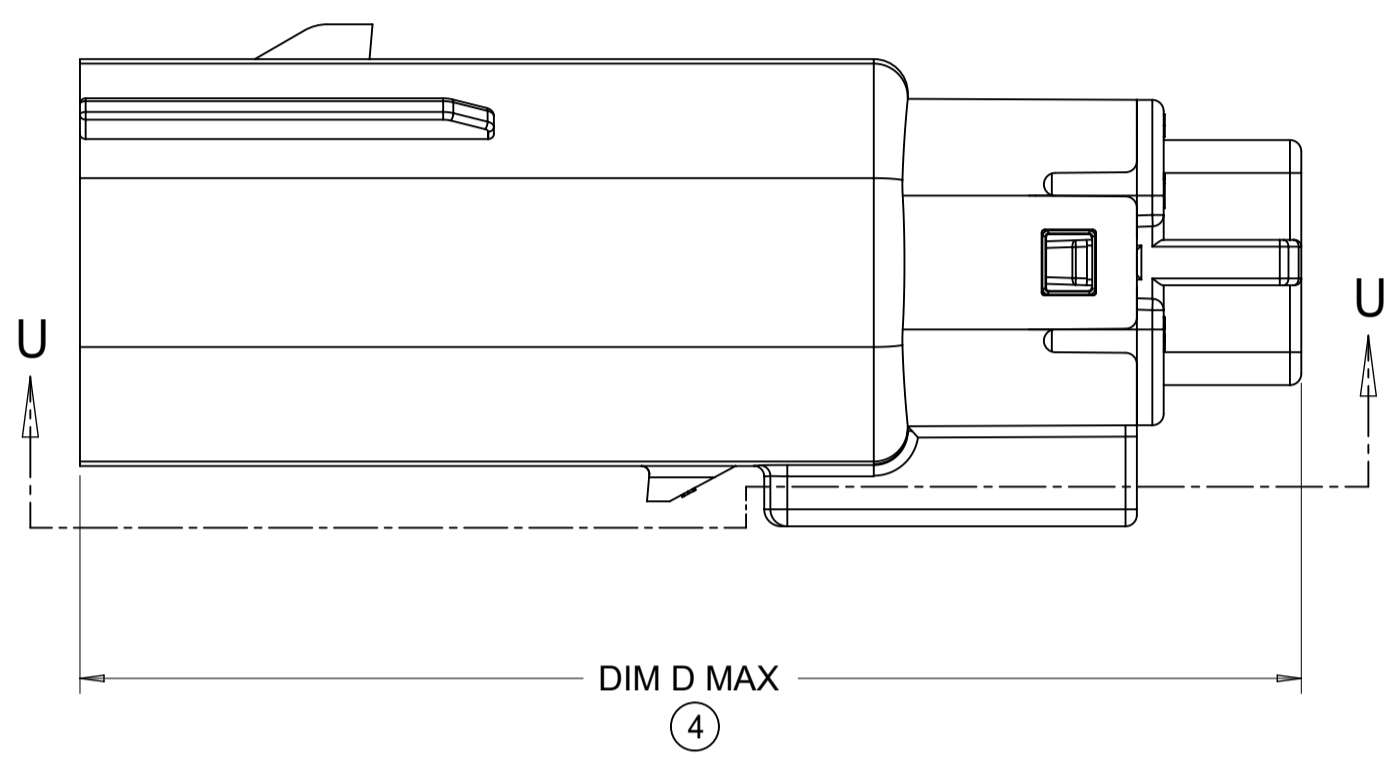
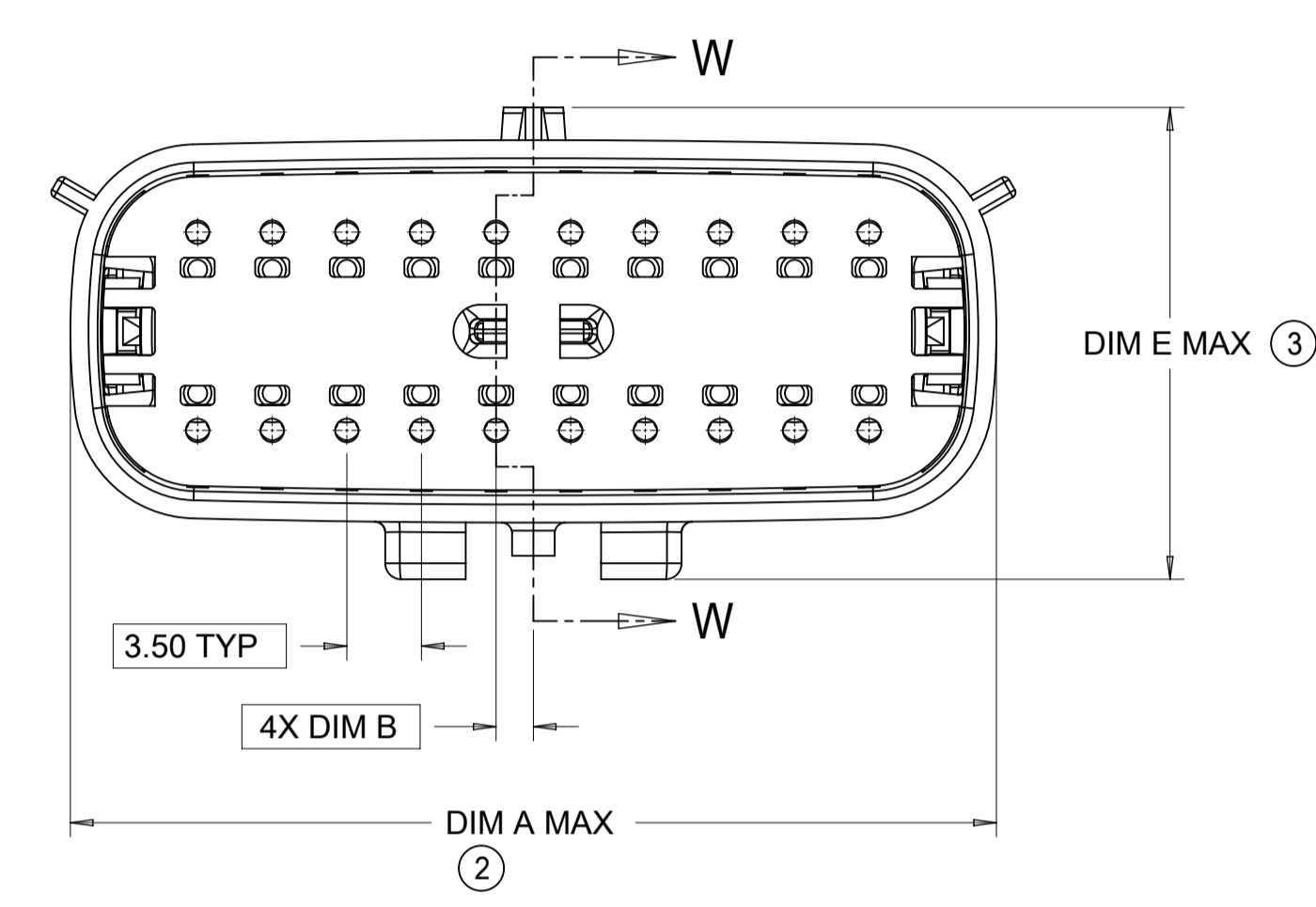
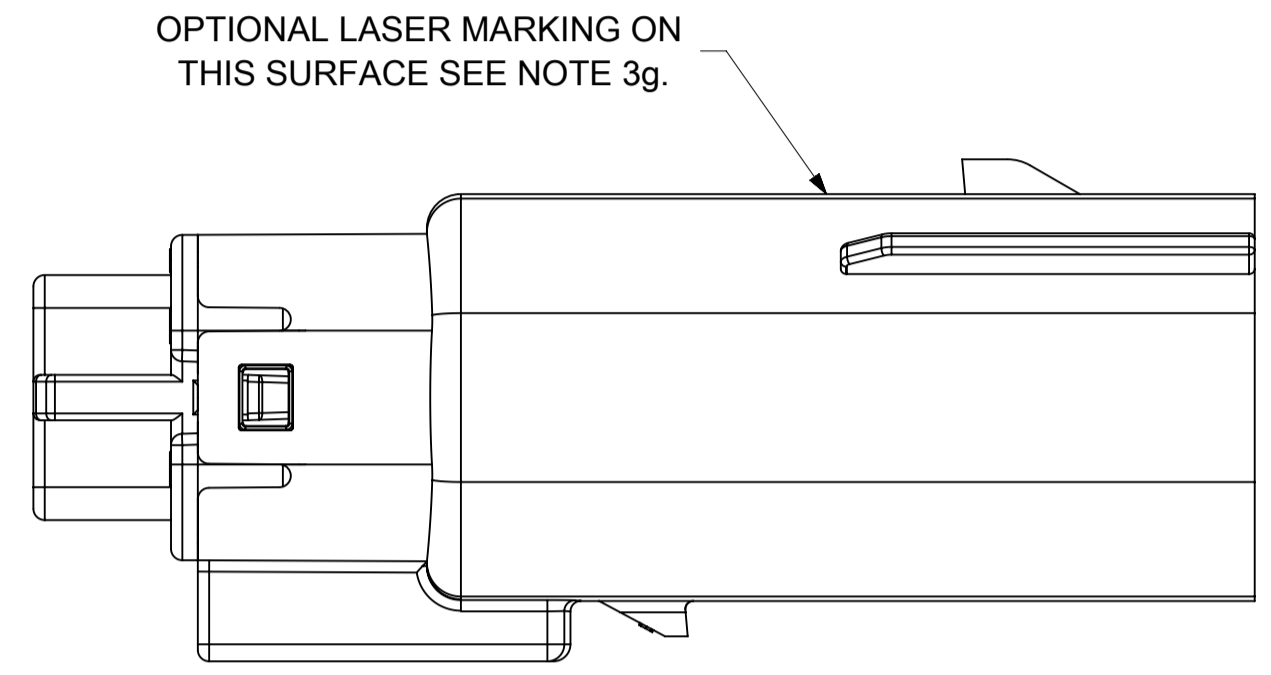
2X10



| | | | | | |
|---------|---|-------|--------------------------------|-----------------|--|
| SYMBOLS | THIS DRAWING CONTAINS INFORMATION THAT IS PROPRIETARY TO MOLEX ELECTRONIC TECHNOLOGIES, LLC AND SHOULD NOT BE USED WITHOUT WRITTEN PERMISSION | | CURRENT REV DESC: | | molex |
| | DIMENSION UNITS | SCALE | | | |
| ▽ = 0 | mm | 3:1 | | | MX150 BLADE DUAL ROW SEALED ASSEMBLY MAT SEAL |
| ▽ = 0 | GENERAL TOLERANCES (UNLESS SPECIFIED) | | | | |
| ▽ = 0 | ANGULAR TOL ± 1.0° | | EC NO: 171650 | | PRODUCT CUSTOMER DRAWING |
| ▽ = 0 | 4 PLACES ± | | DRWN: PMANJUNATHAC 2018/01/03 | | |
| ▽ = 0 | 3 PLACES ± | | CHK'D: MVANSLAMBROU 2018/02/16 | | |
| ▽ = 0 | 2 PLACES ± 0.1 | | APPR: MVANSLAMBROU 2018/02/16 | | DOCUMENT NUMBER: SD-33482-0001 |
| ▽ = 0 | 1 PLACE ± 0.2 | | INITIAL REVISION: | | |
| ⊠ = 0 | 0 PLACES ± | | DRWN: APROFFITT 2014/04/28 | | DOC TYPE: PSD |
| ■ = 0 | DRAFT WHERE APPLICABLE MUST REMAIN WITHIN DIMENSIONS | | APPR: VKOSHY 2014/05/14 | | DOC PART: 001 |
| ▽ = 0 | | | THIRD ANGLE PROJECTION | DRAWING | REVISION: E2 |
| | | | | SERIES | |
| | | | | A1-SIZE | 33482 |
| | | | | MATERIAL NUMBER | CUSTOMER |
| | | | | | GENERAL MARKET |
| | | | | | SHEET NUMBER |
| | | | | | 4 OF 11 |

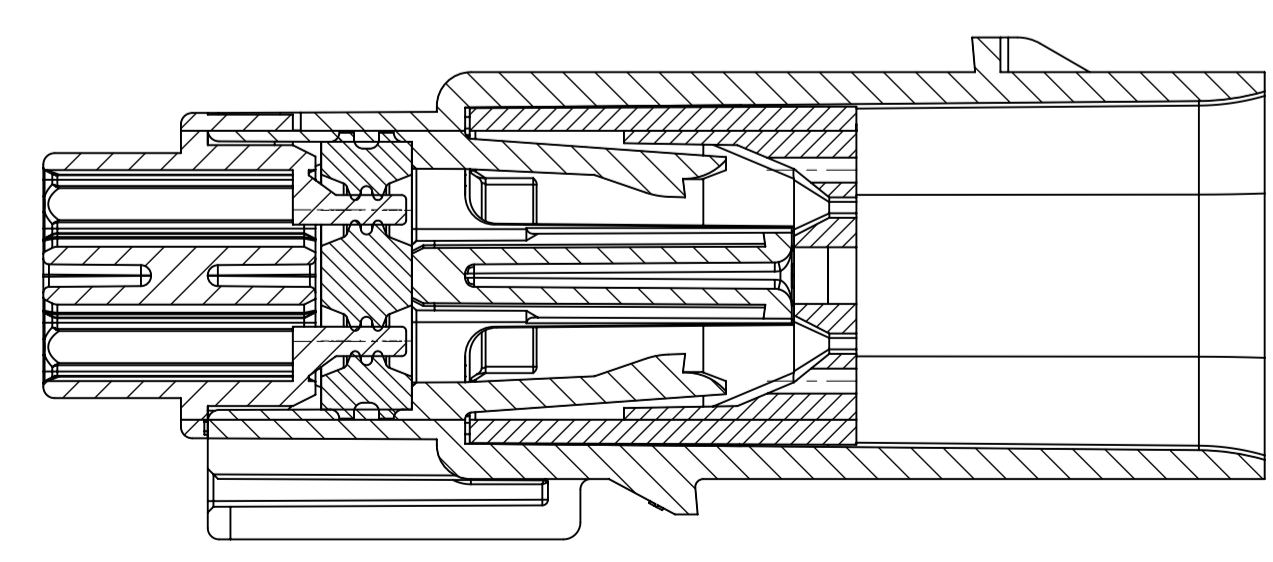
SHEET DESCRIPTION
BLADE SEALED ASSEMBLY

| DESCRIPTION | DIMENSIONS | | | | |
|----------------|------------|------|-------|-------|-------|
| | A | B | C | D | E |
| 2X2 | 15.54 | 1.75 | 24.40 | 54.45 | 22.23 |
| 2X3 STANDARD | 19.04 | 3.50 | 26.21 | 54.45 | 22.23 |
| 2X3 LENGTHENED | 19.04 | 3.50 | 26.21 | 56.45 | 22.23 |
| 2X4 | 22.54 | 1.75 | 27.21 | 54.45 | 22.23 |
| 2X6 | 29.54 | 1.75 | 32.27 | 54.45 | 22.23 |
| 2X8 | 36.54 | 1.75 | 38.88 | 54.45 | 22.23 |
| 2X10 | 43.64 | 1.75 | 45.65 | 54.45 | 22.05 |



PRIMARY LOCK REINFORCEMENT (PLR) SHOWN IN PRE-STAGED POSITION

SECTION W-W



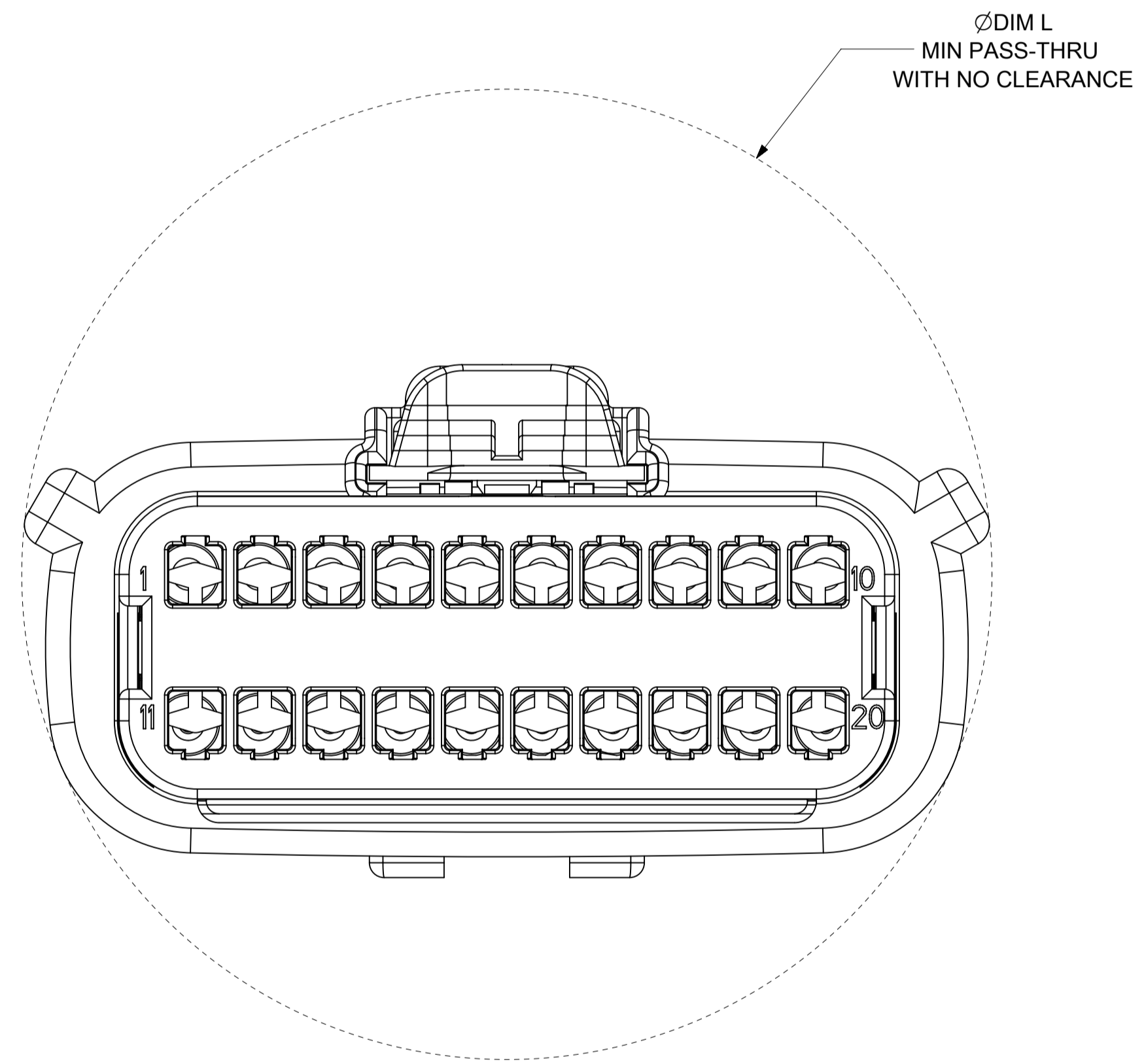
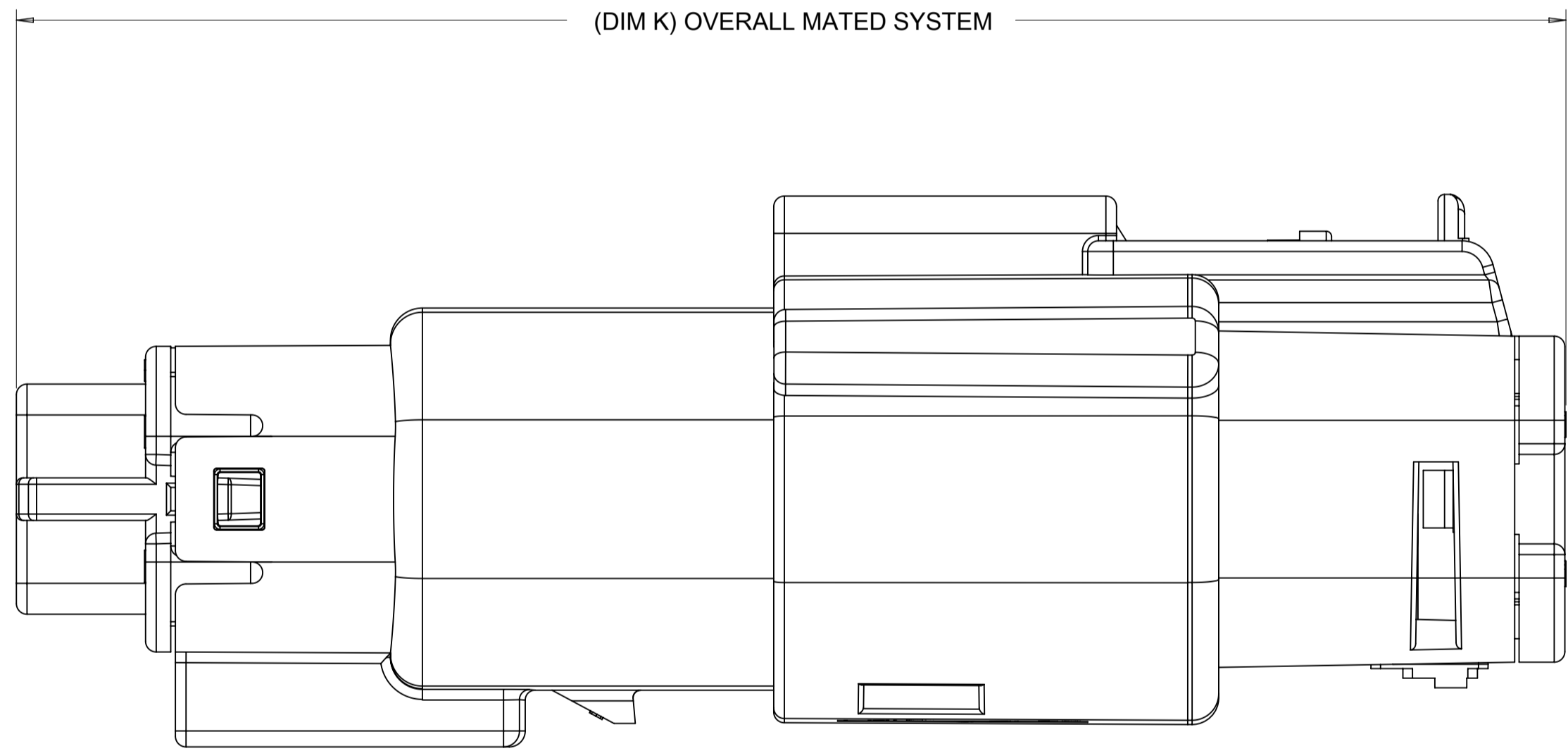
PRIMARY LOCK REINFORCEMENT (PLR) SHOWN IN FINAL-LOCK POSITION

SECTION V-V

| | | | | |
|---|--------------------------------|-----------------------------------|--|--------------------------------|
| SYMBOLS THIS DRAWING CONTAINS INFORMATION THAT IS PROPRIETARY TO MOLEX ELECTRONIC TECHNOLOGIES, LLC AND SHOULD NOT BE USED WITHOUT WRITTEN PERMISSION DIMENSION UNITS: mm SCALE: 3:1 GENERAL TOLERANCES (UNLESS SPECIFIED): ANGULAR TOL: ± 1.0° 4 PLACES: ± 3 PLACES: ± 2 PLACES: ± 0.1 1 PLACE: ± 0.2 0 PLACES: ± DRAFT WHERE APPLICABLE MUST REMAIN WITHIN DIMENSIONS | CURRENT REV DESC: | | MX150 BLADE DUAL ROW SEALED ASSEMBLY MAT SEAL PRODUCT CUSTOMER DRAWING | |
| | EC NO: 171650 | | | DOCUMENT NUMBER: SD-33482-0001 |
| | DRWN: PMANJUNATHAC 2018/01/03 | | | DOC TYPE: PSD |
| | CHK'D: MVANSLAMBROU 2018/02/16 | | | DOC PART: 001 |
| APPR: MVANSLAMBROU 2018/02/16 | | REVISION: E2 | MATERIAL NUMBER: 33482 CUSTOMER: GENERAL MARKET SHEET NUMBER: 5 OF 11 | |
| INITIAL REVISION: | | DRAWING: A1-SIZE SERIES: 33482 | | |
| DRWN: APROFFITT 2014/04/28 | | | | |
| APPR: VKOSHY 2014/05/14 | | | | |

SHEET DESCRIPTION
SYSTEM PACKAGING

| CHARTED DIMENSION | | | | |
|-------------------|---------------------|--------------------------|------------|-------|
| CKT | BLADE CONFIGURATION | RECEPTACLE CONFIGURATION | DIMENSIONS | |
| | | | K | L |
| 2X2 | STANDARD | W/O CLIPSLOT | 72.78 | 28.00 |
| | | W/ CLIPSLOT | 72.78 | 28.50 |
| | | LENGTHENED | 77.21 | 28.00 |
| 2X3 | STANDARD | W/O CLIPSLOT | 72.78 | 28.00 |
| | | W/ CLIPSLOT | | 30.50 |
| | LENGTHENED | W/O CLIPSLOT | 74.79 | 28.00 |
| | | W/ CLIPSLOT | | 30.50 |
| 2X4 | STANDARD | W/O CLIPSLOT | 72.78 | 29.50 |
| | | W/ CLIPSLOT | | 31.50 |
| 2X6 | STANDARD | W/O CLIPSLOT | 72.79 | 35.58 |
| | | W/ CLIPSLOT | | |
| 2X8 | STANDARD | W/O CLIPSLOT | 72.67 | 42.25 |
| | | W/ CLIPSLOT | | |
| 2X10 | STANDARD | STANDARD | 72.78 | 49.05 |

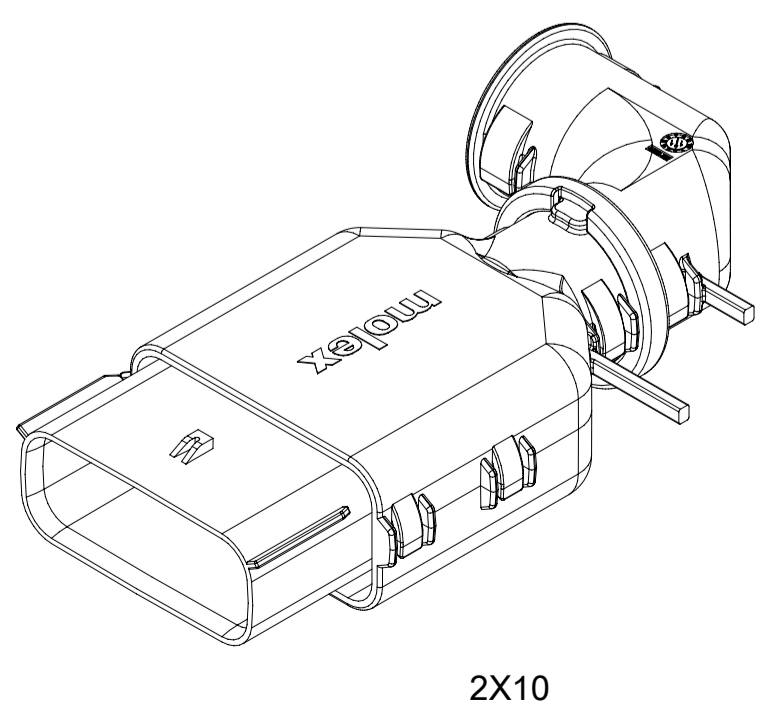
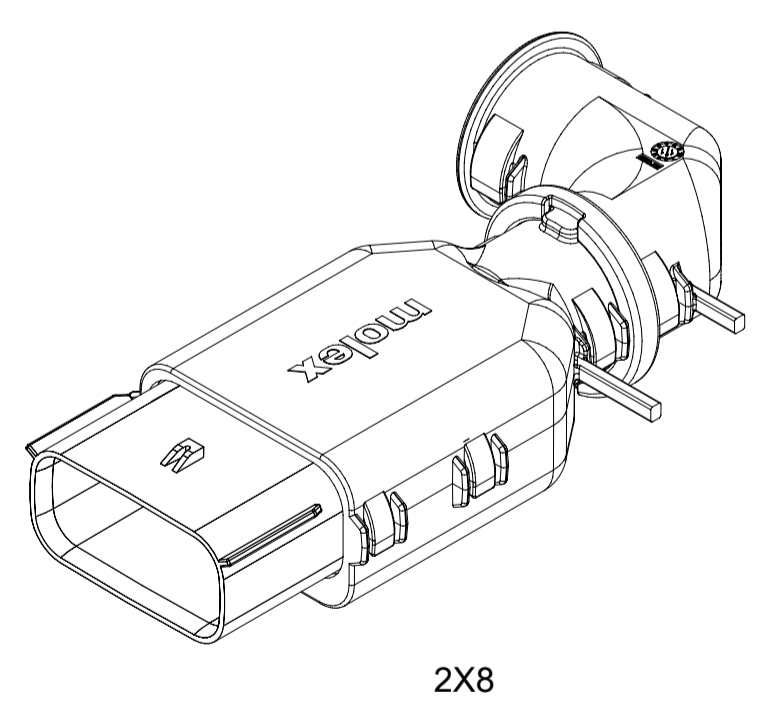
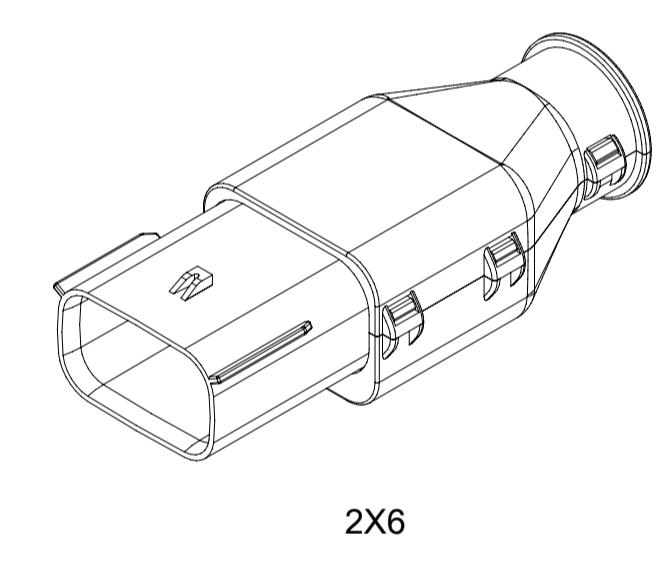
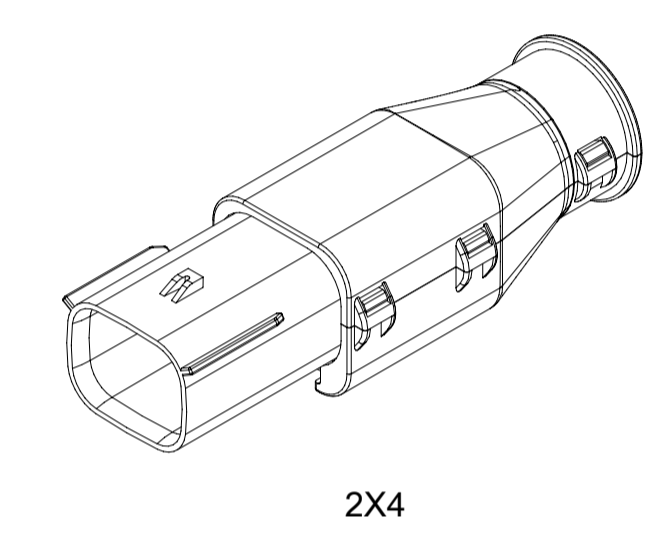
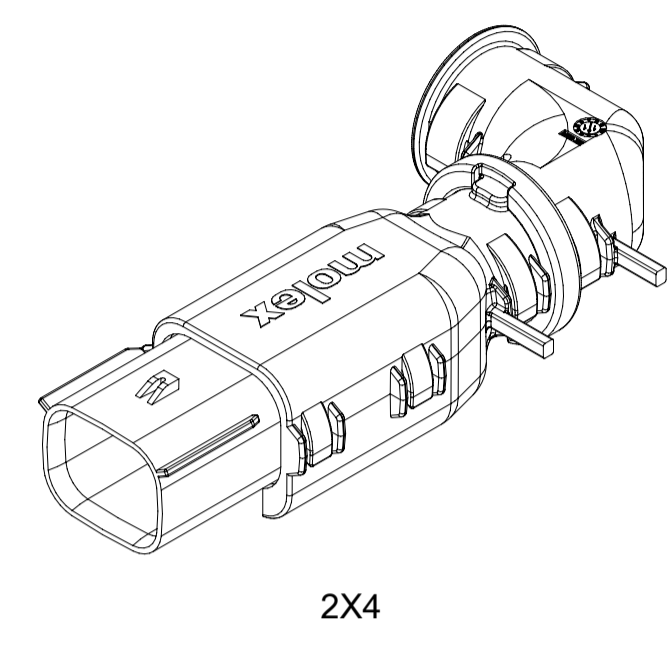
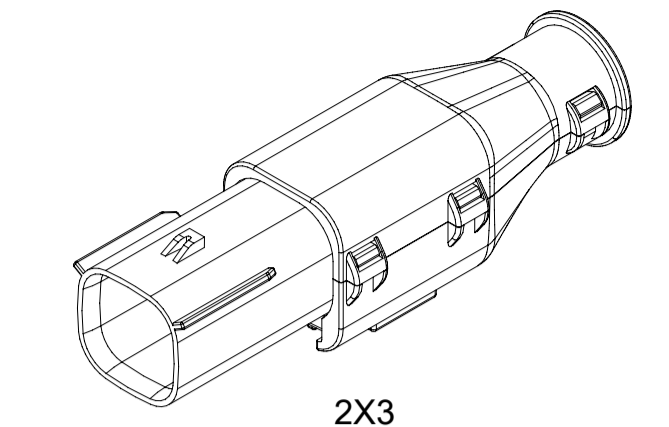


| | | | | | | | | | | |
|--|---|-----------------|---|-------------------|--|--|---------|--------------------------------|--|--|
| SYMBOLS ▽ = 0 ▽ = 0 ▽ = 0 ▽ = 0 ▽ = 0 ▽ = 0 ▽ = 0 ▽ = 0 ▽ = 0 ▽ = 0 | THIS DRAWING CONTAINS INFORMATION THAT IS PROPRIETARY TO MOLEX ELECTRONIC TECHNOLOGIES, LLC AND SHOULD NOT BE USED WITHOUT WRITTEN PERMISSION | DIMENSION UNITS | SCALE | CURRENT REV DESC: | | | | | | |
| | mm | 4:1 | EC NO: 171650 DRWN: PMANJUNATHAC 2018/01/03 CHK'D: MVANSLAMBROU 2018/02/16 APPR: MVANSLAMBROU 2018/02/16 | | | | | | | |
| | GENERAL TOLERANCES (UNLESS SPECIFIED) | | | | INITIAL REVISION: | | | DOCUMENT NUMBER | | |
| | ANGULAR TOL ± 1.0° | | | | DRWN: APROFFITT 2014/04/28 | | | SD-33482-0001 | | |
| | 4 PLACES ± | | | | APPR: VKOSHY 2014/05/14 | | | DOC TYPE DOC PART REVISION | | |
| | 3 PLACES ± | | | | DRAFT WHERE APPLICABLE MUST REMAIN WITHIN DIMENSIONS | | | PSD 001 E2 | | |
| | 2 PLACES ± 0.1 | | | | THIRD ANGLE PROJECTION | | | MATERIAL NUMBER | | |
| | 1 PLACE ± 0.2 | | | | DRAWING | | | CUSTOMER | | |
| | 0 PLACES ± | | | | A1-SIZE | | | GENERAL MARKET | | |
| | 0 PLACES ± | | | | SERIES | | | SHEET NUMBER | | |
| | | | | 33482 | | | 6 OF 11 | | | |

SHEET DESCRIPTION
BACKSHELL NOTES

BACKSHELL NOTES: VALID UNLESS OTHERWISE SPECIFIED

1. GENERAL:
a. APPLICATION SPECIFICATION SEE: AS-34951-001
-DESIGNED TO MATE WITH BLADE SEALED ASSEMBLY SPECIFIED IN MOLEX DRAWING SD-33482-0001.
-SYSTEM TO BE USED WITH WIRE WITHIN DIAMETER RANGE OF 1.2mm TO 2.69mm.
-COMPONENTS ARE OPTIONAL AND MUST BE PURCHASED SEPERATELY.
-DESIGN IS OWNED BY SCHLEMMER FOR SCHLEMMER BACKSHELL.
-DESIGN IS OWNED BY MOLEX FOR MOLEX BACKSHELL.
-90° ADAPTOR DESIGN IS OWNED BY MOLEX.
-FOR ADDITIONAL INFORMATION SEE THE BACKSHELL COMPONENT DRAWING SD-34950-0001.



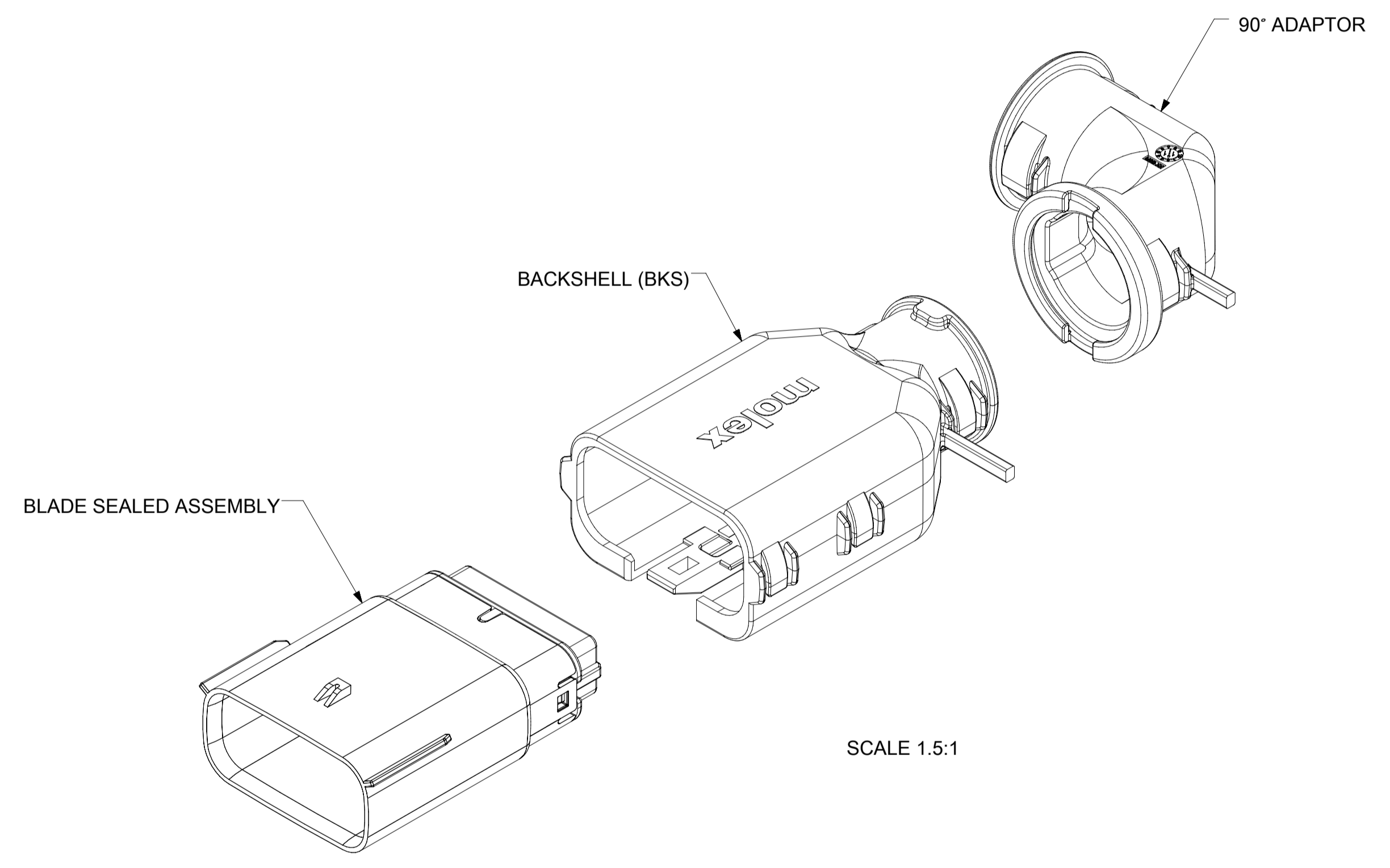
BACKSHELL CUSTOMER MODEL NUMBER LEGEND

34950-XXXX

- CUSTOMER MODEL COMPONENTS
0 - SCHLEMMER BACKSHELL ONLY
1 - SCHLEMMER BACKSHELL & MX150 HOUSING KEY A ASSEMBLY
2 - SCHLEMMER BACKSHELL & MX150 HOUSING KEY B ASSEMBLY
3 - SCHLEMMER BACKSHELL & MX150 HOUSING KEY C ASSEMBLY
4 - SCHLEMMER BACKSHELL & MX150 HOUSING KEY D ASSEMBLY
5 - MOLEX BACKSHELL ONLY
6 - MOLEX BACKSHELL & MX150 HOUSING KEY A ASSEMBLY
7 - MOLEX BACKSHELL & MX150 HOUSING KEY B ASSEMBLY
8 - MOLEX BACKSHELL & MX150 HOUSING KEY C ASSEMBLY
9 - MOLEX BACKSHELL & MX150 HOUSING KEY D ASSEMBLY

- BACKSHELL FEATURES
1 - WITH RIBS
2 - WITHOUT RIBS
3 - 90° ADAPTOR

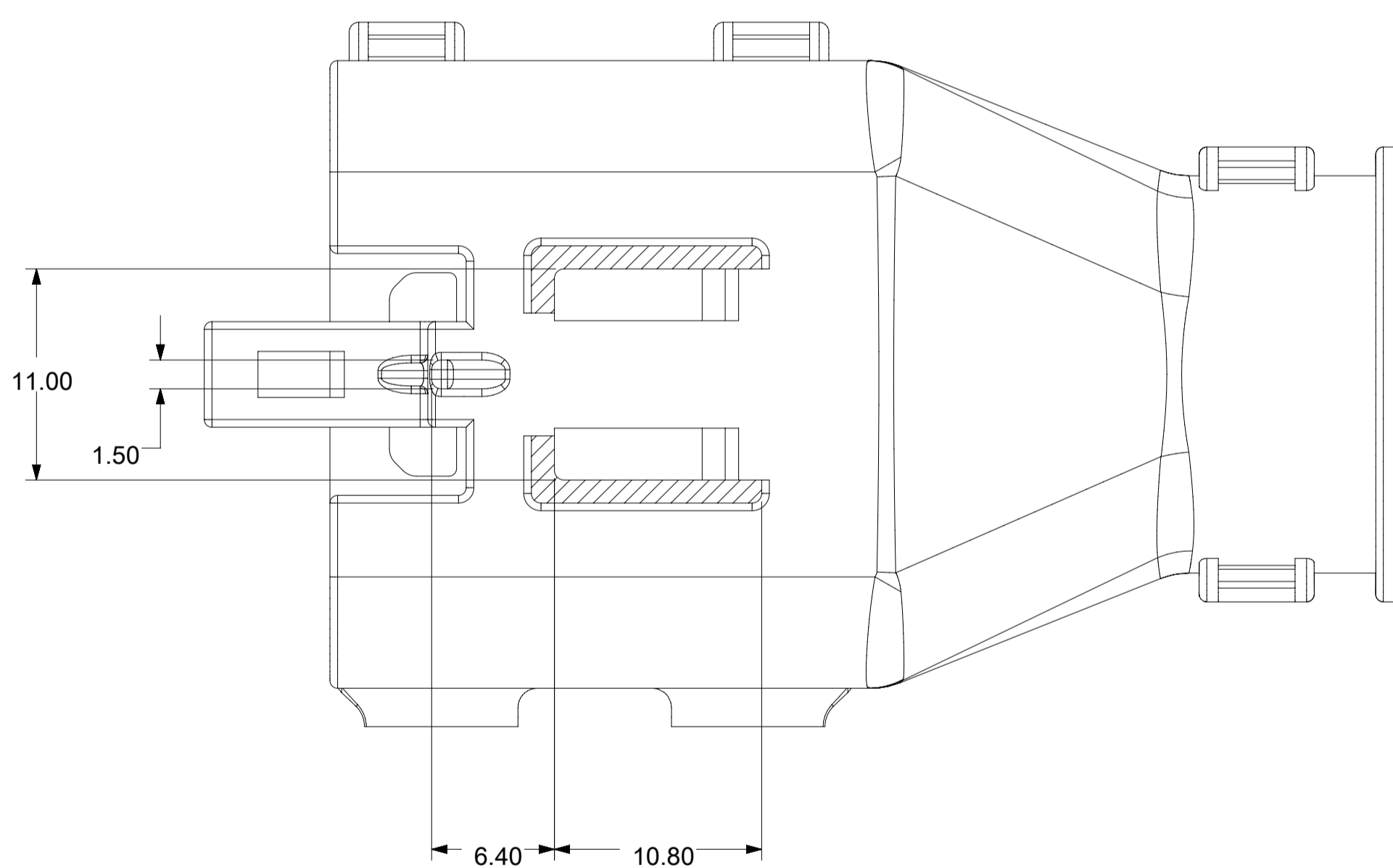
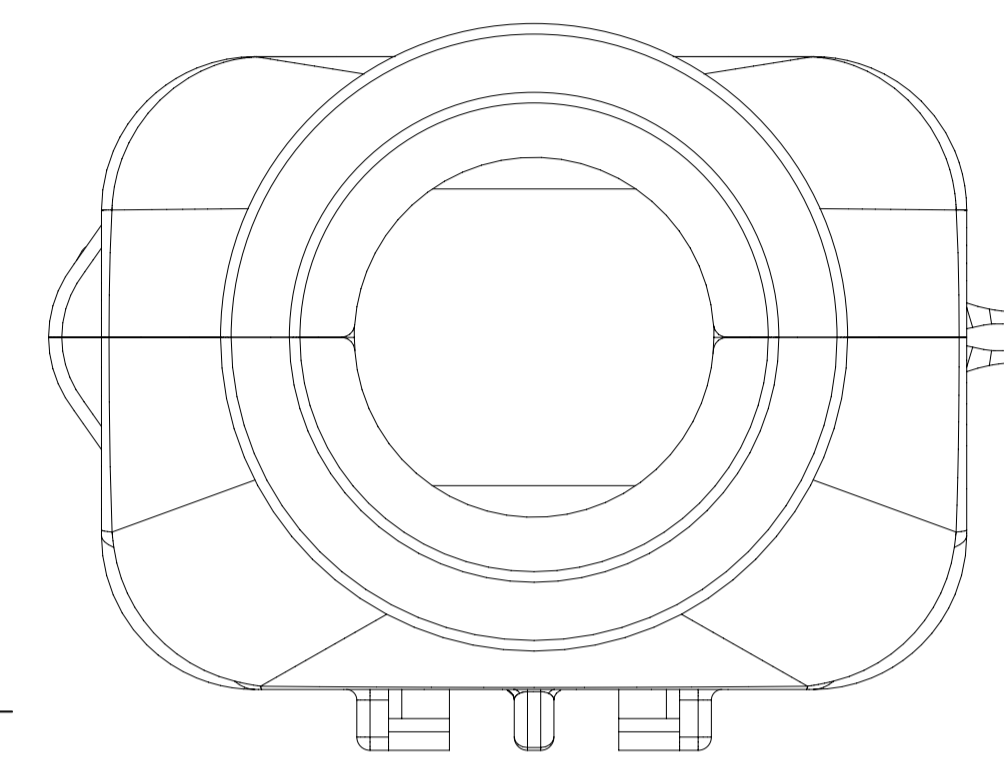
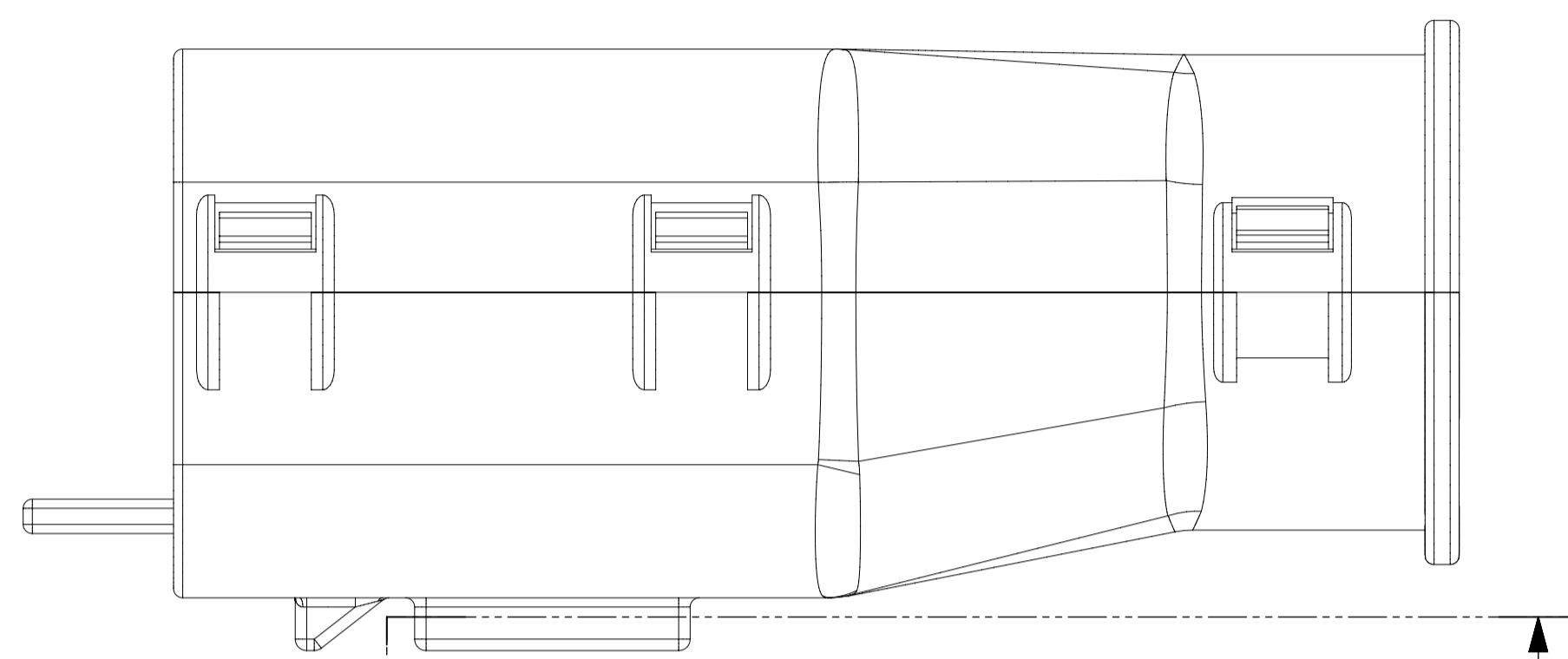
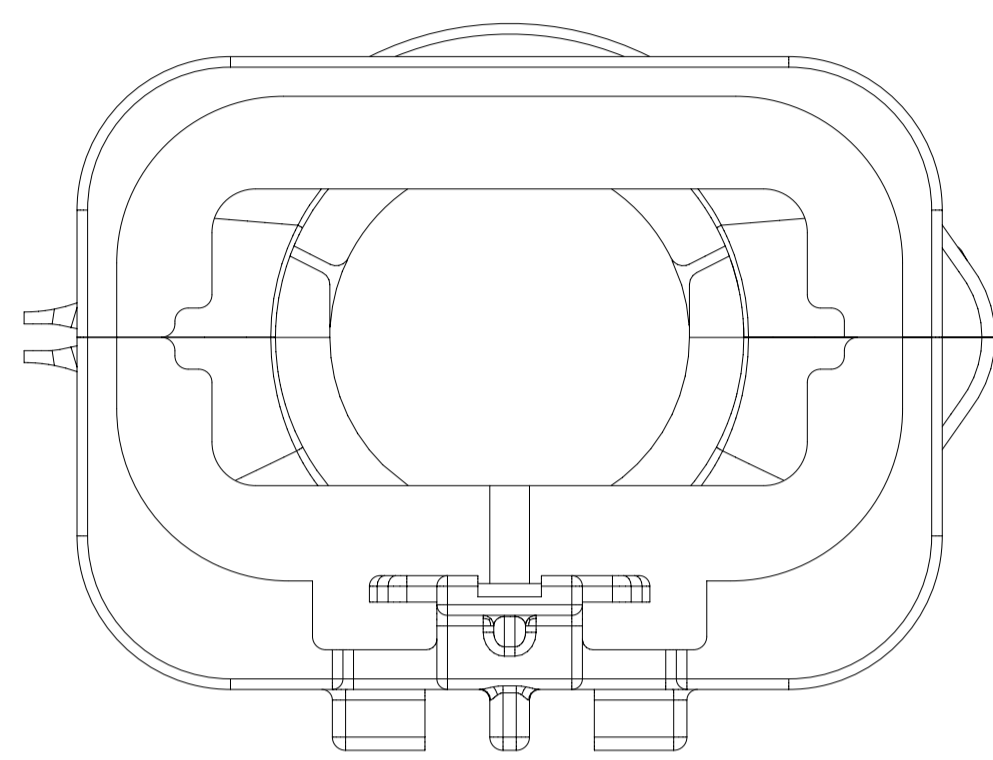
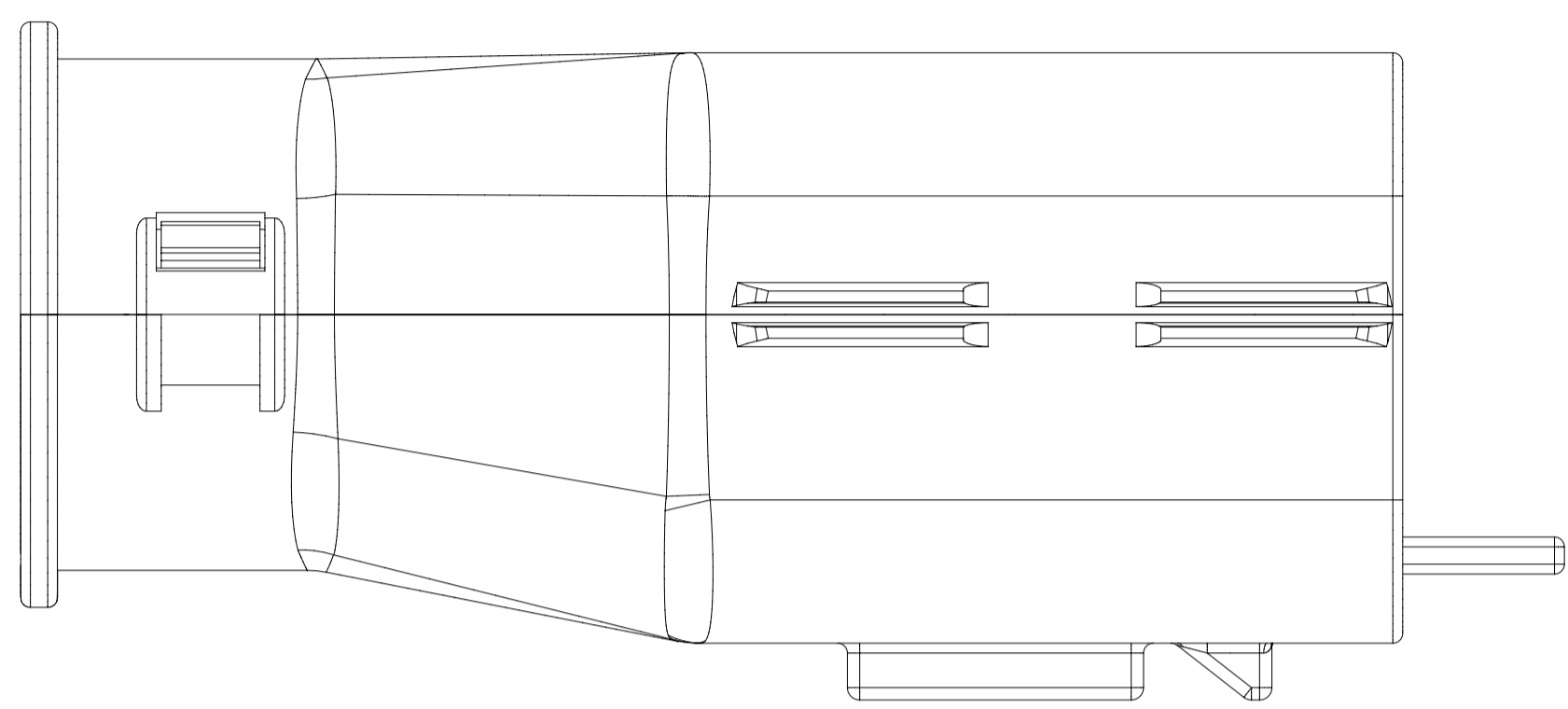
MX150 CIRCUIT SIZE 04, 06, 08, 12, 16, 20



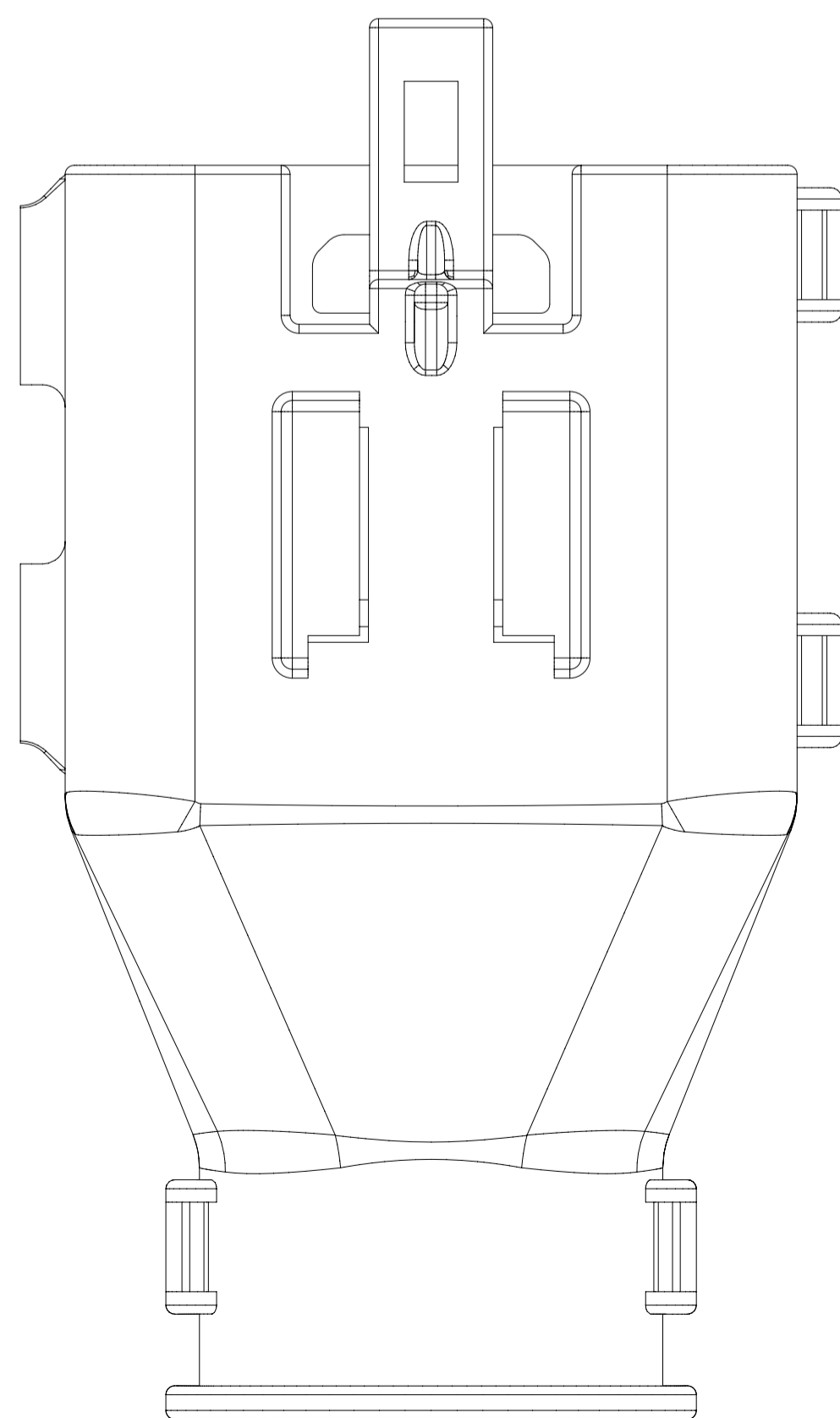
| | | | | | | | |
|---------|---|-------|---------------------------------------|--------------------------------|---|--------------|----|
| SYMBOLS | THIS DRAWING CONTAINS INFORMATION THAT IS PROPRIETARY TO MOLEX ELECTRONIC TECHNOLOGIES, LLC AND SHOULD NOT BE USED WITHOUT WRITTEN PERMISSION | | CURRENT REV DESC: | | | | |
| | DIMENSION UNITS | SCALE | | | | | |
| ▽ = 0 | mm | 1.5:1 | GENERAL TOLERANCES (UNLESS SPECIFIED) | CHK'D: MVANSLAMBROU 2018/02/16 | MX150 BLADE DUAL ROW SEALED ASSEMBLY MAT SEAL | | |
| ▽ = 0 | ANGULAR TOL ± 1.0° | | APPR: MVANSLAMBROU 2018/02/16 | PRODUCT CUSTOMER DRAWING | | | |
| ▽ = 0 | 4 PLACES ± | | INITIAL REVISION: | DOCUMENT NUMBER | | | |
| ▽ = 0 | 3 PLACES ± | | DRWN: APROFFITT 2014/04/28 | SD-33482-0001 | PSD | 001 | E2 |
| ▽ = 0 | 2 PLACES ± 0.1 | | APPR: VKOSHY 2014/05/14 | MATERIAL NUMBER | | | |
| ▽ = 0 | 1 PLACE ± 0.2 | | | CUSTOMER | | | |
| ▽ = 0 | 0 PLACES ± | | | GENERAL MARKET | | | |
| ▽ = 0 | DRAFT WHERE APPLICABLE MUST REMAIN WITHIN DIMENSIONS | | THIRD ANGLE PROJECTION | DRAWING | SERIES | SHEET NUMBER | |
| ▽ = 0 | | | | A1-SIZE | 33482 | 7 OF 11 | |

SHEET DESCRIPTION

SCHLEMMER BACKSHELL

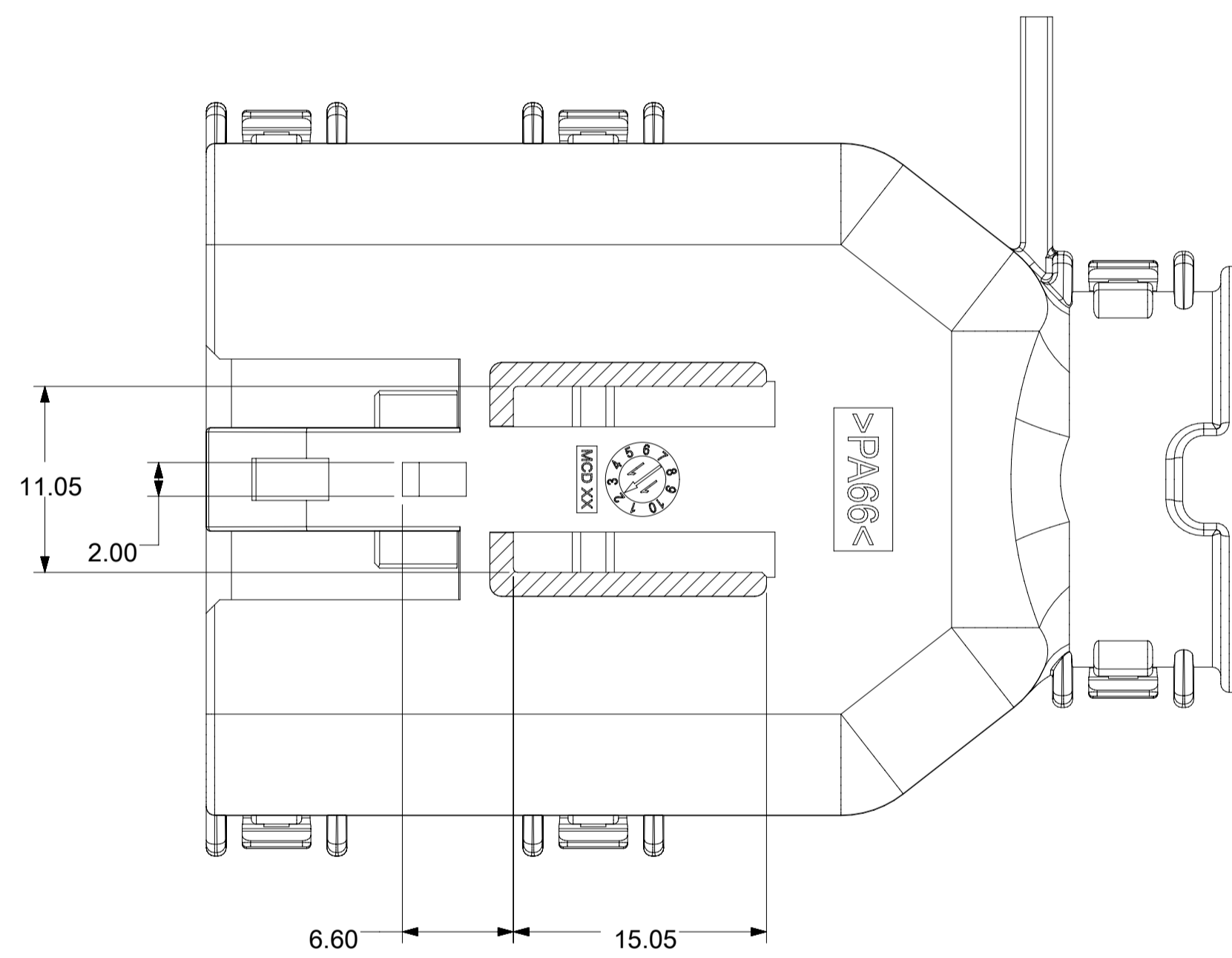
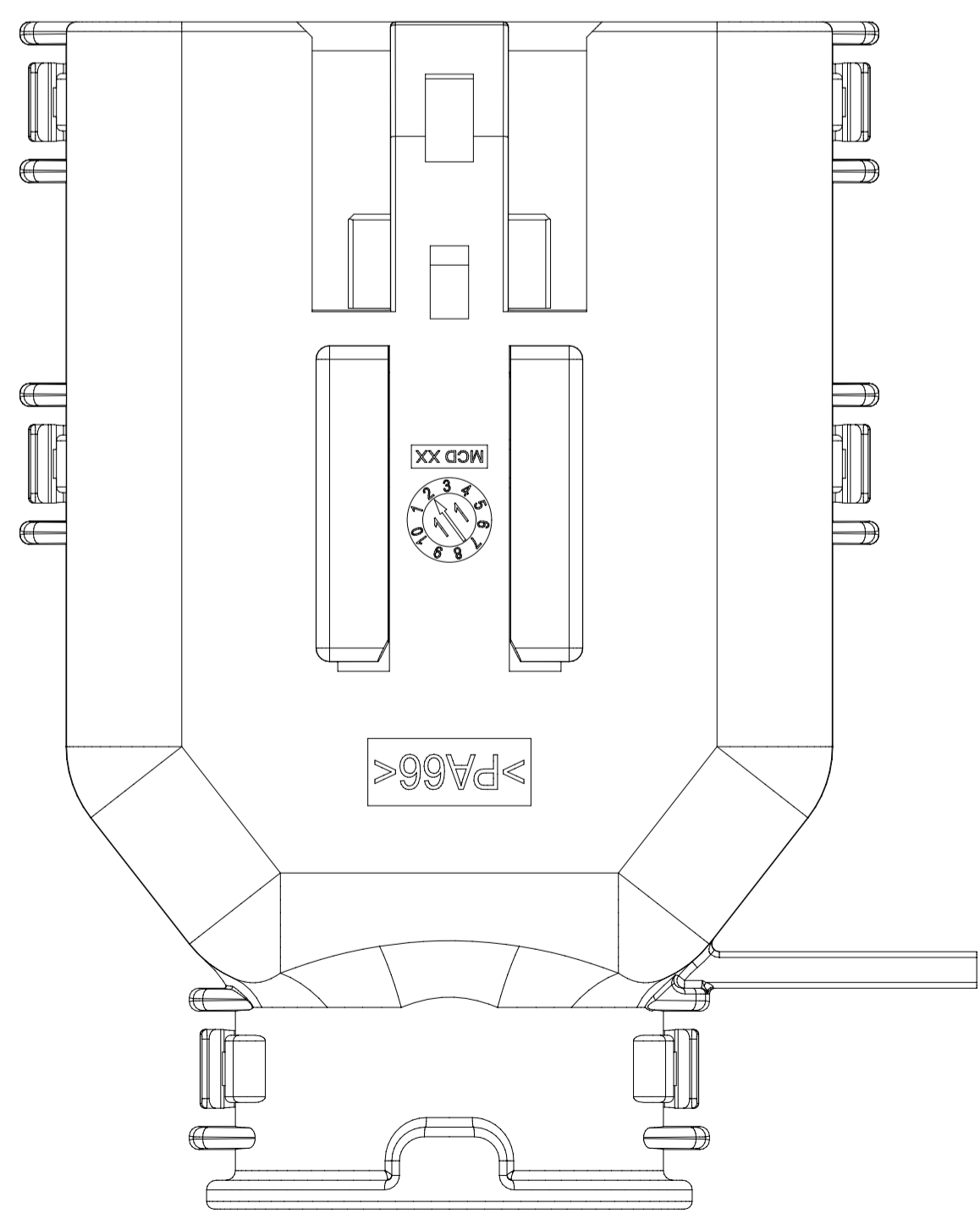
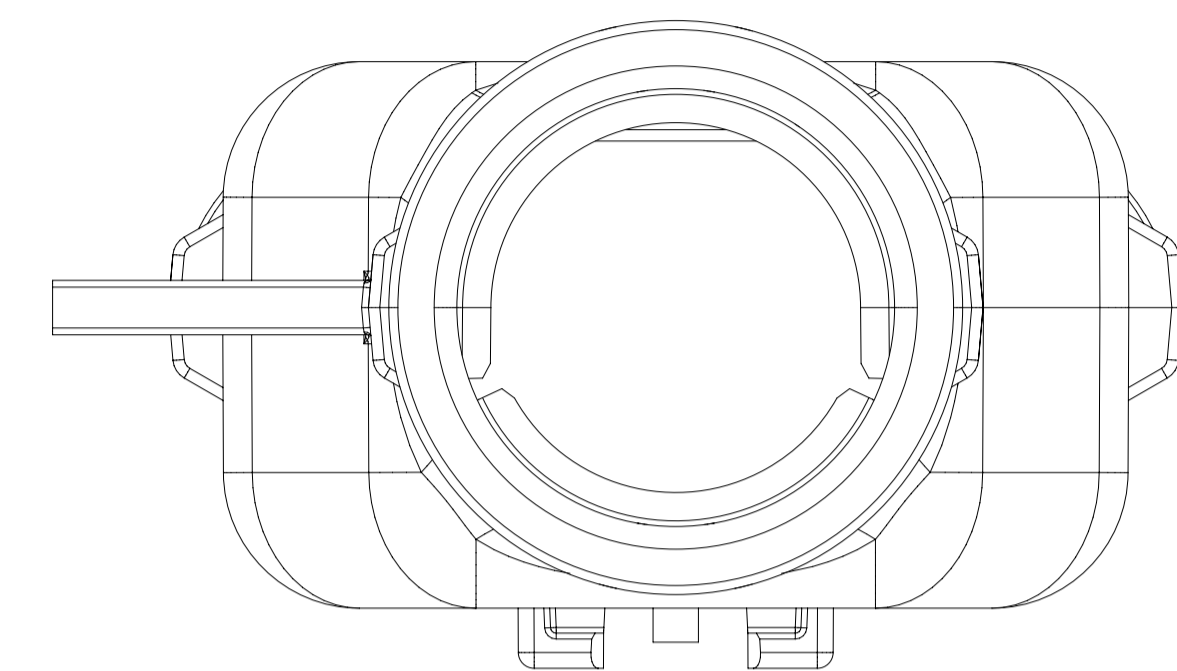
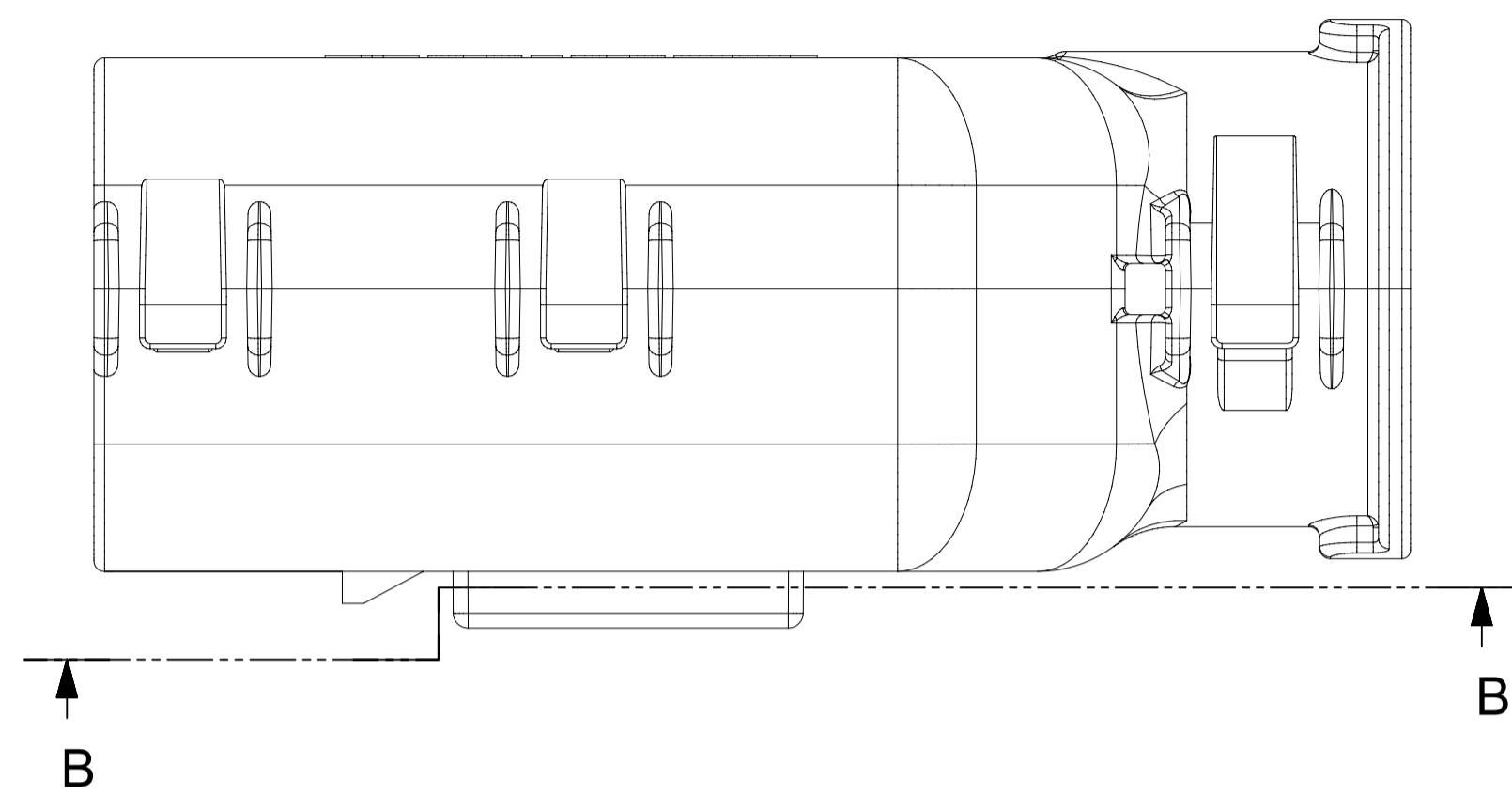
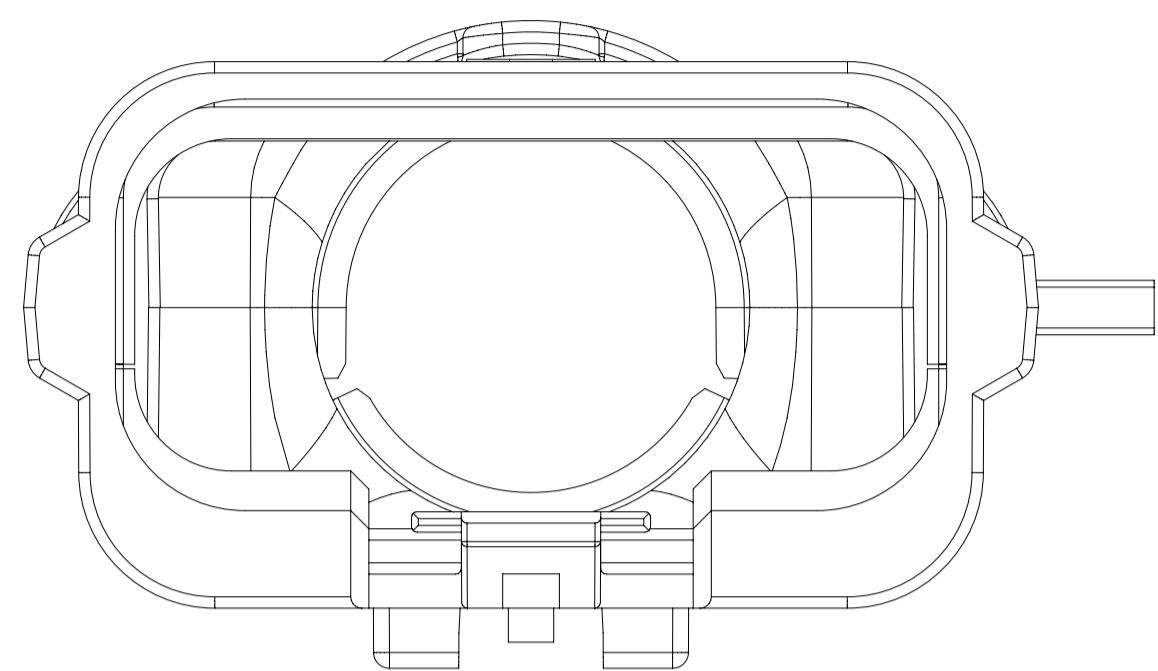
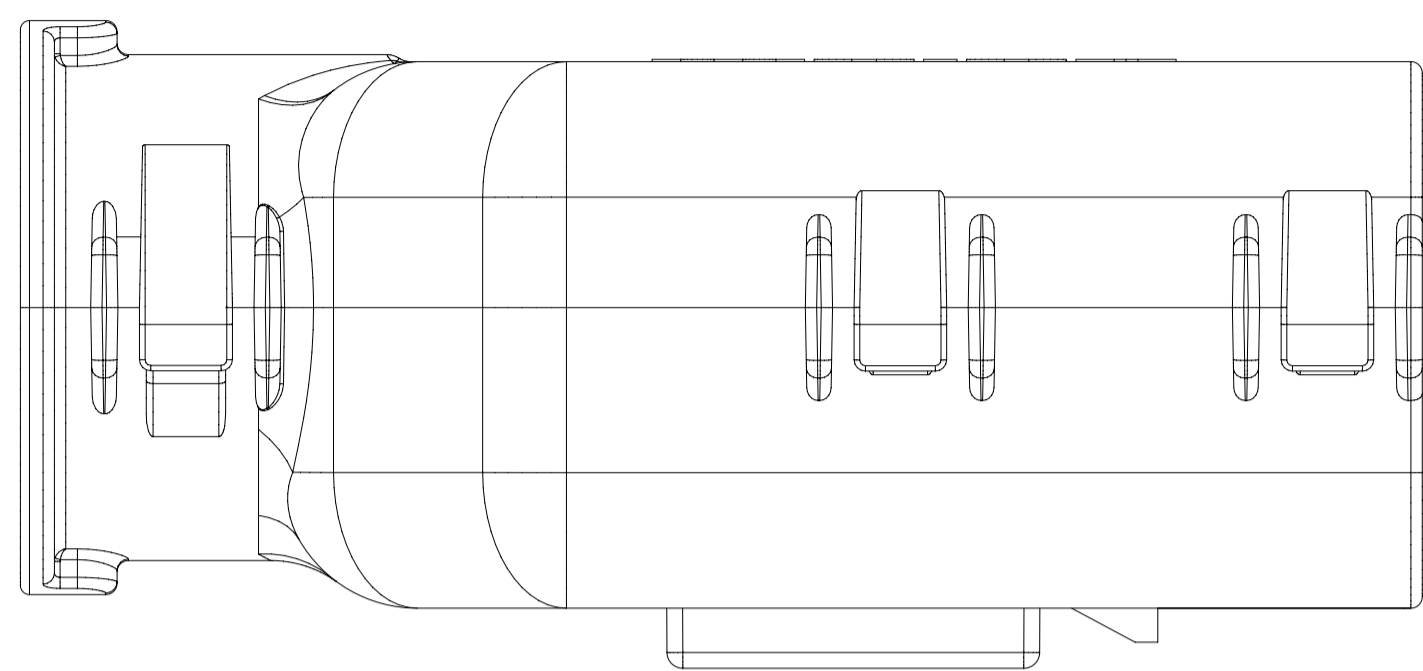


SECTION A-A



| | | | | | | | | | | |
|--|---|--|---|------------------------|--|--------------------------|-----------------|--|----------|--------------|
| SYMBOLS = 0 = 0 = 0 = 0 = 0 = 0 = 0 = 0 = 0 = 0 | THIS DRAWING CONTAINS INFORMATION THAT IS PROPRIETARY TO MOLEX ELECTRONIC TECHNOLOGIES, LLC AND SHOULD NOT BE USED WITHOUT WRITTEN PERMISSION | | DIMENSION UNITS: mm SCALE: 3.5:1 | | CURRENT REV DESC: EC NO: 171650 DRWN: PMANJUNATHAC 2018/01/03 CHK'D: MVANSLAMBROU 2018/02/16 APPR: MVANSLAMBROU 2018/02/16 | | | <div style="text-align: center;"> <h1>molex</h1> <p>MX150 BLADE DUAL ROW SEALED ASSEMBLY MAT SEAL</p> </div> | | |
| | GENERAL TOLERANCES (UNLESS SPECIFIED) | | ANGULAR TOL ± 1.0° | | | PRODUCT CUSTOMER DRAWING | | | | |
| | 4 PLACES ± | | INITIAL REVISION: | | | DOCUMENT NUMBER | | DOC TYPE | DOC PART | REVISION |
| | 3 PLACES ± | | DRWN: APROFFITT 2014/04/28 APPR: VKOSHY 2014/05/14 | | | SD-33482-0001 | | PSD | 001 | E2 |
| | 2 PLACES ± 0.1 | | DRAFT WHERE APPLICABLE MUST REMAIN WITHIN DIMENSIONS | THIRD ANGLE PROJECTION | DRAWING | SERIES | MATERIAL NUMBER | CUSTOMER | | SHEET NUMBER |
| | 1 PLACE ± 0.2 | | | A1-SIZE | 33482 | GENERAL MARKET | | 8 OF 11 | | |
| | 0 PLACES ± | | | | | | | | | |
| | DOCUMENT STATUS P1 RELEASE DATE 2018/02/16 22:02:26 | | | | | | | | | |

SHEET DESCRIPTION
MOLEX BACKSHELL

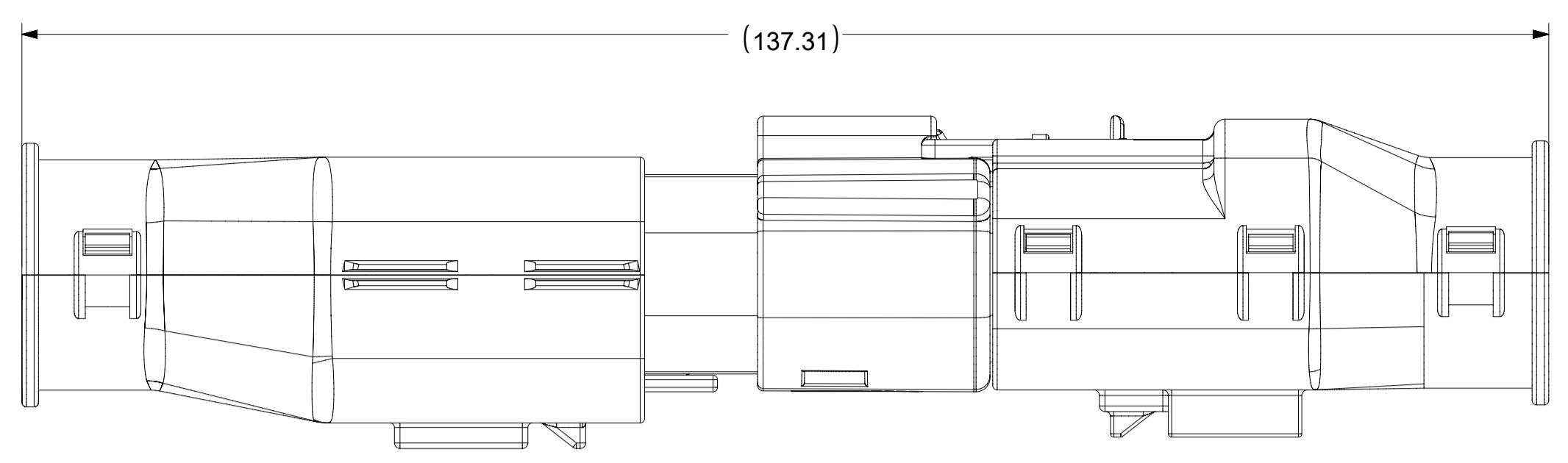


SECTION B-B

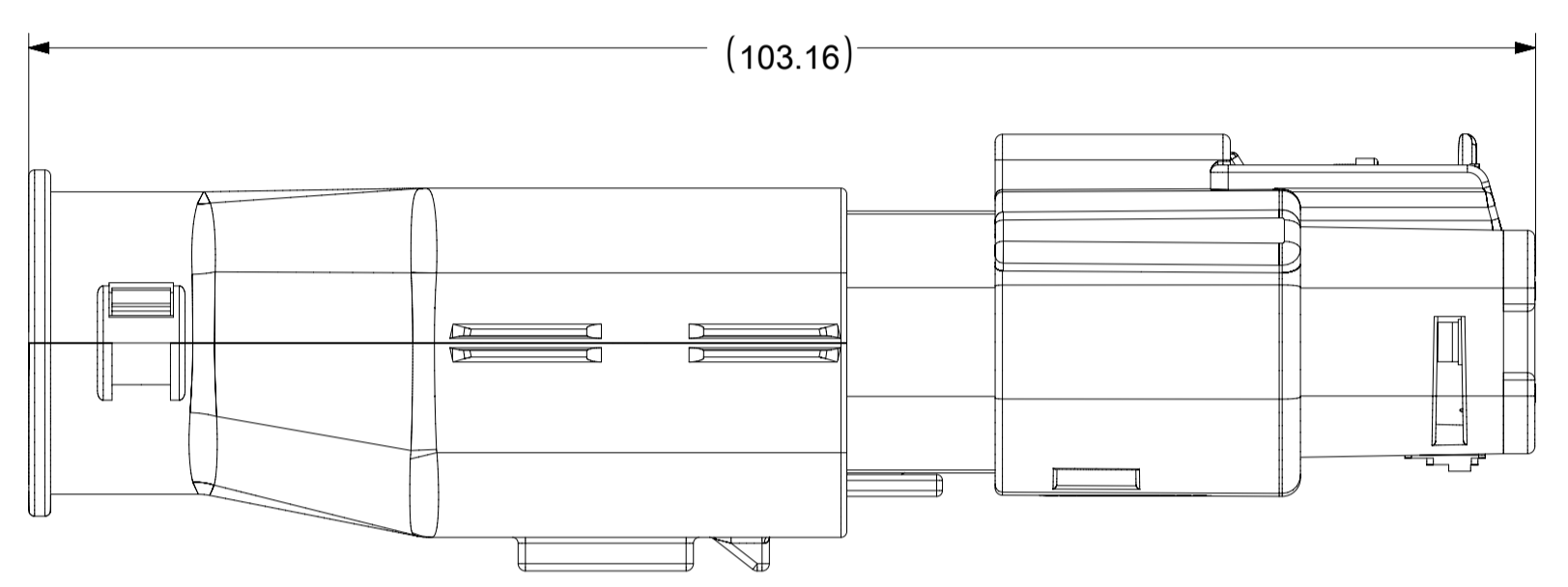
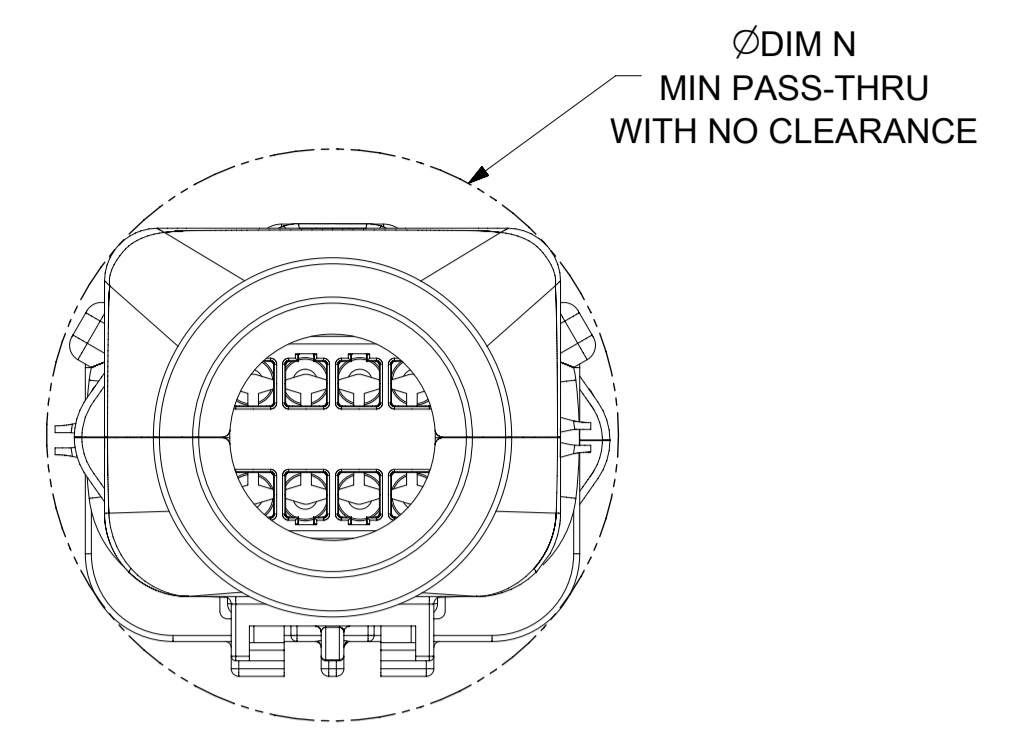
| | | | | | | |
|--|---|---------|--------------------------------|----------------|--------------------------|----------|
| SYMBOLS ▽ = 0 ▽ = 0 ▽ = 0 ▽ = 0 ▽ = 0 ▽ = 0 ▽ = 0 ▽ = 0 ▽ = 0 ▽ = 0 | THIS DRAWING CONTAINS INFORMATION THAT IS PROPRIETARY TO MOLEX ELECTRONIC TECHNOLOGIES, LLC AND SHOULD NOT BE USED WITHOUT WRITTEN PERMISSION | | CURRENT REV DESC: | | | |
| | DIMENSION UNITS | SCALE | EC NO: 171650 | | | |
| | mm | 3:1 | DRWN: PMANJUNATHAC 2018/01/03 | | | |
| | GENERAL TOLERANCES (UNLESS SPECIFIED) | | CHK'D: MVANSLAMBROU 2018/02/16 | | | |
| | ANGULAR TOL ± 1.0° | | APPR: MVANSLAMBROU 2018/02/16 | | PRODUCT CUSTOMER DRAWING | |
| 4 PLACES ± | INITIAL REVISION: | | DOCUMENT NUMBER | DOC TYPE | DOC PART | REVISION |
| 3 PLACES ± | DRWN: APROFFITT 2014/04/28 | | SD-33482-0001 | PSD | 001 | E2 |
| 2 PLACES ± 0.1 | APPR: VKOSHY 2014/05/14 | | MATERIAL NUMBER | CUSTOMER | SHEET NUMBER | |
| 1 PLACE ± 0.2 | DRAFT WHERE APPLICABLE MUST REMAIN WITHIN DIMENSIONS | | | GENERAL MARKET | 9 OF 11 | |
| 0 PLACES ± | THIRD ANGLE PROJECTION | DRAWING | SERIES | | | |
| 0 PLACES ± | | A1-SIZE | 33482 | | | |

SHEET DESCRIPTION
SCHLEMMER BACKSHELL CONFIGURATIONS

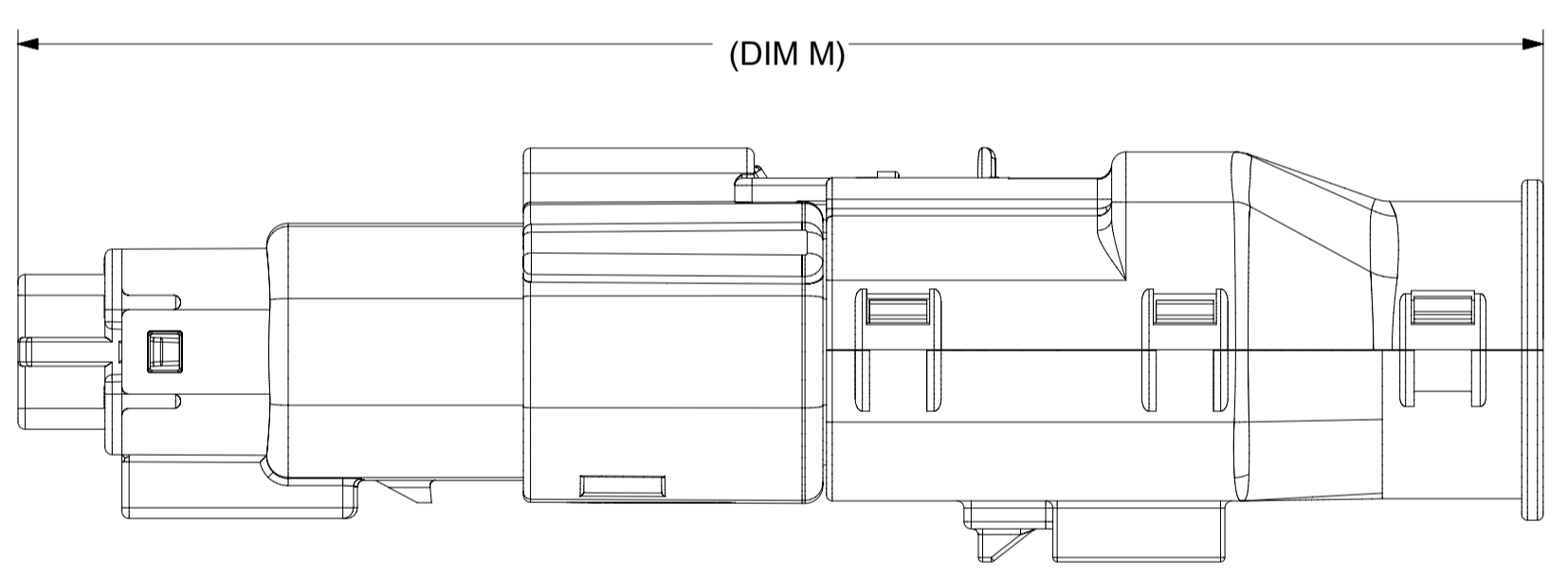
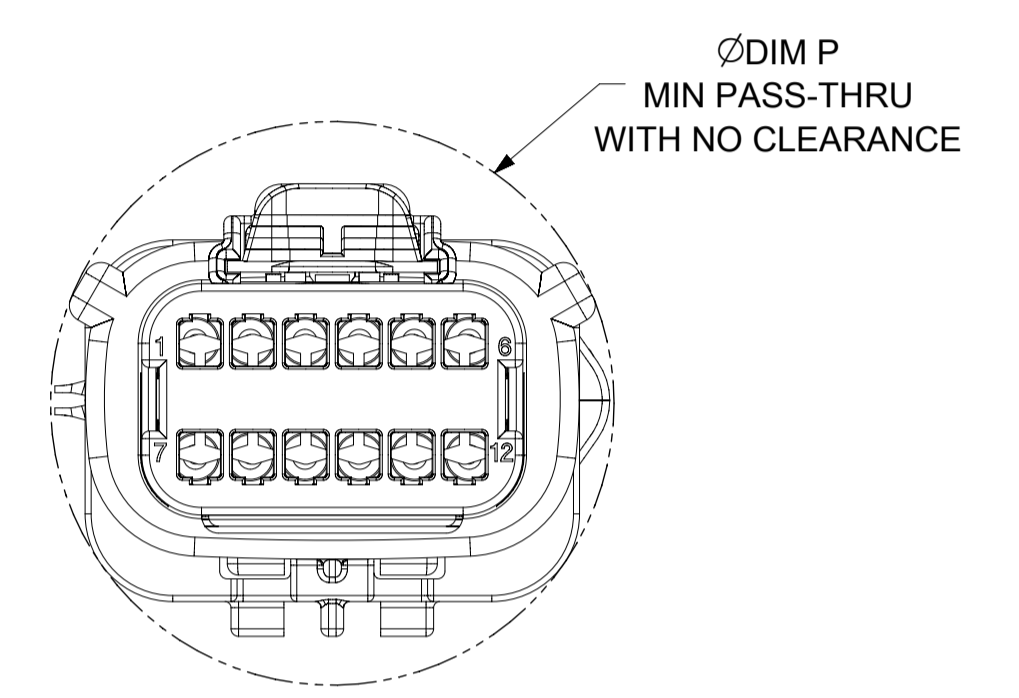
| CKT | BLADE CONFIGURATION | RECEPTACLE CONFIGURATION | DIMENSIONS | | | | |
|-----|---------------------|--------------------------|------------|-------|-------|-------|-------|
| | | | M | N | P | R | T |
| 2X3 | STANDARD | STANDARD | 106.83 | 32.75 | 31.75 | 29.00 | 29.50 |
| | LENGTHENED | | 108.71 | | | | |
| 2X4 | STANDARD | STANDARD | 106.83 | 33.50 | 31.90 | 30.70 | 30.70 |
| 2X6 | STANDARD | STANDARD | 106.83 | 37.84 | 37.27 | 35.83 | 36.83 |



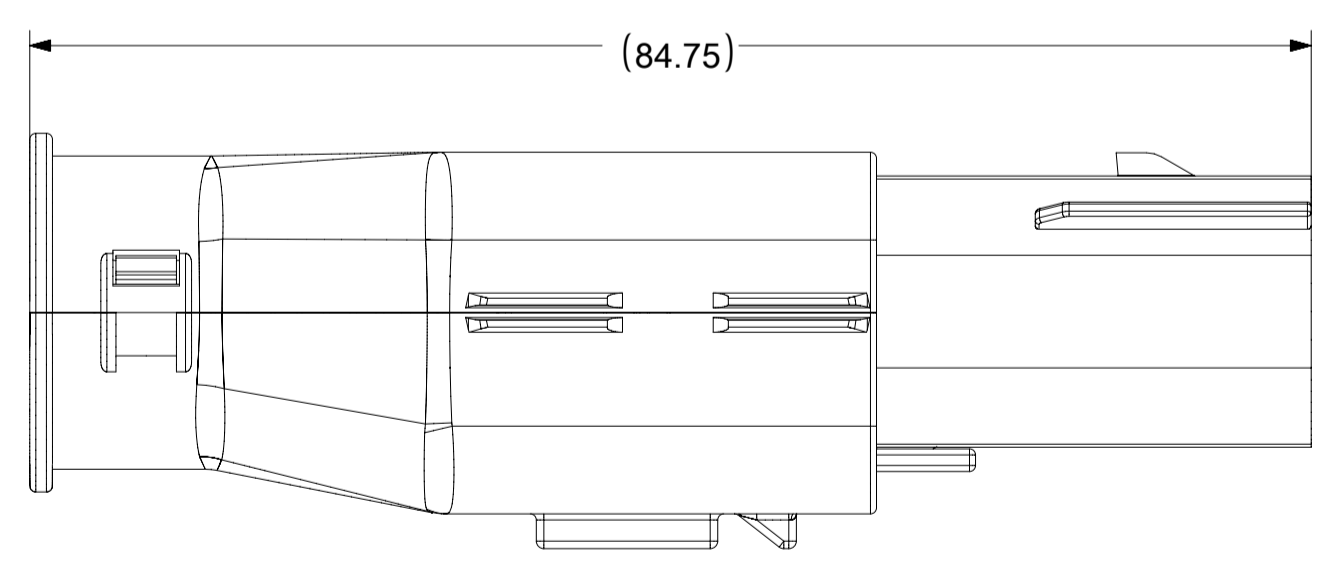
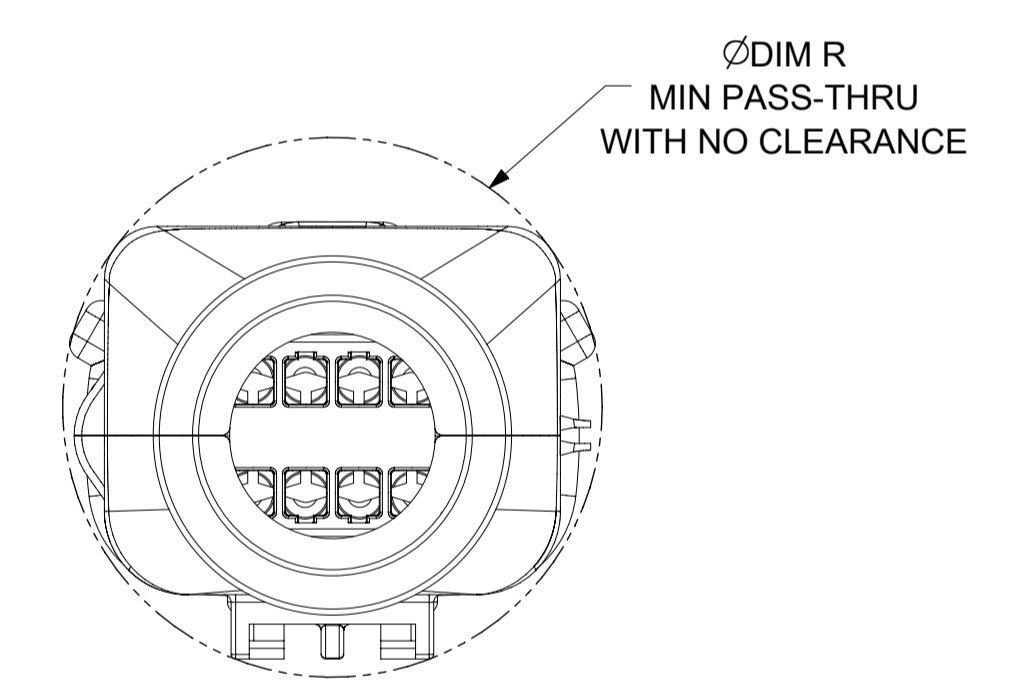
OVERALL MATED SYSTEM WITH BLADE AND RECEPTACLE BACKSHELL



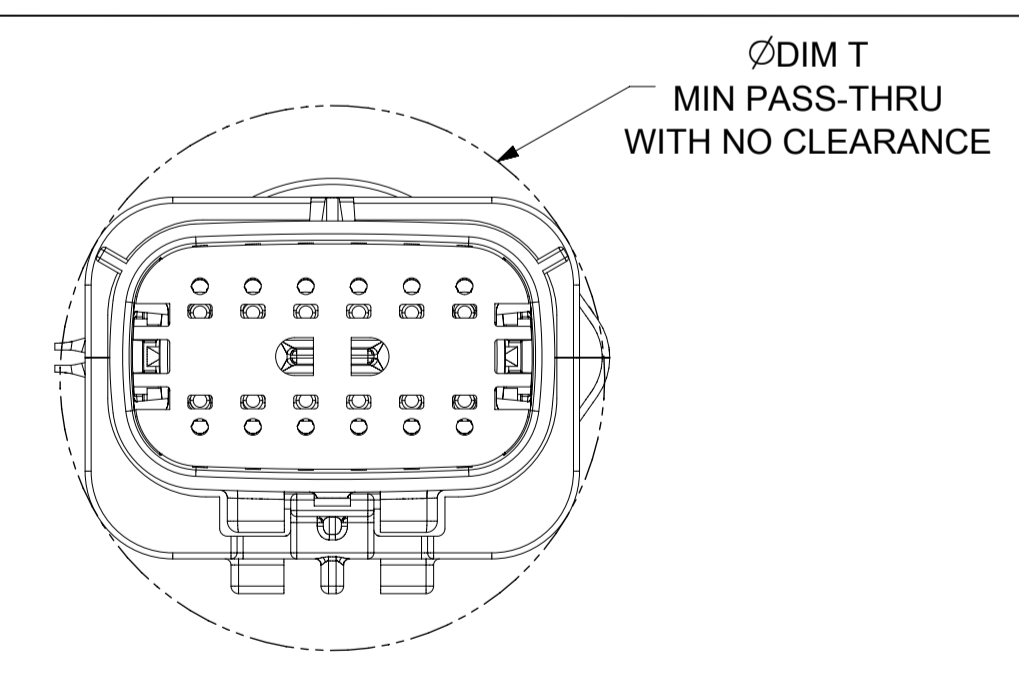
OVERALL MATED SYSTEM WITH BLADE BACKSHELL



OVERALL MATED SYSTEM WITH RECEPTACLE BACKSHELL



BLADE SEALED ASSEMBLY WITH BLADE BACKSHELL

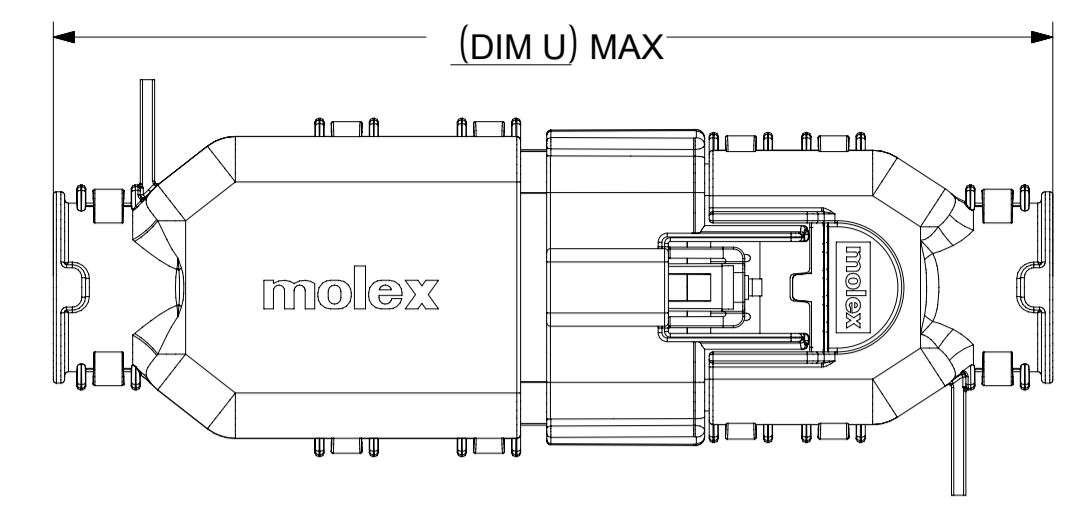


| | | | | | |
|---|--|--|--|--|--|
| SYMBOLS THIS DRAWING CONTAINS INFORMATION THAT IS PROPRIETARY TO MOLEX ELECTRONIC TECHNOLOGIES, LLC AND SHOULD NOT BE USED WITHOUT WRITTEN PERMISSION DIMENSION UNITS: mm SCALE: 2:1 GENERAL TOLERANCES (UNLESS SPECIFIED): ANGULAR TOL: ± 1.0° 4 PLACES: ± 3 PLACES: ± 2 PLACES: ± 0.1 1 PLACE: ± 0.2 0 PLACES: ± DRAFT WHERE APPLICABLE MUST REMAIN WITHIN DIMENSIONS | CURRENT REV DESC: EC NO: 171650 DRWN: PMANJUNATHAC 2018/01/03 CHK'D: MVANSLAMBROU 2018/02/16 APPR: MVANSLAMBROU 2018/02/16 INITIAL REVISION: DRWN: APROFFITT 2014/04/28 APPR: VKOSHY 2014/05/14 | | | | |
| | PRODUCT CUSTOMER DRAWING DOCUMENT NUMBER: SD-33482-0001 DOC TYPE: PSD DOC PART: 001 REVISION: E2 | | MATERIAL NUMBER: 33482 CUSTOMER: GENERAL MARKET SHEET NUMBER: 10 OF 11 | | |

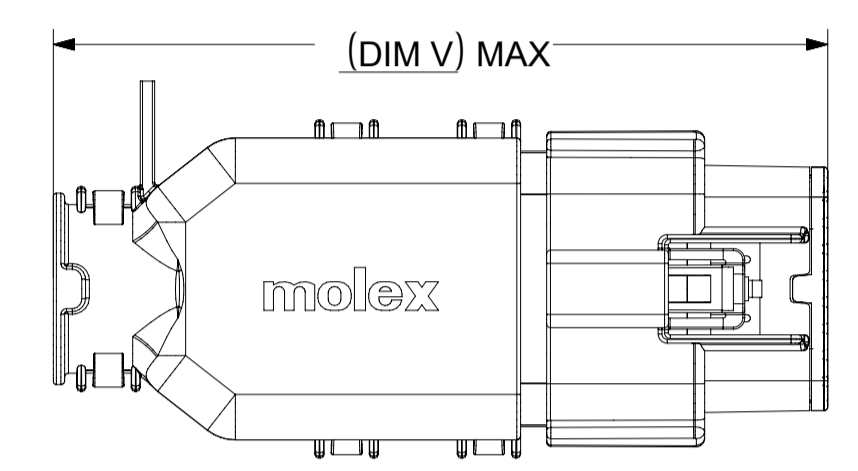
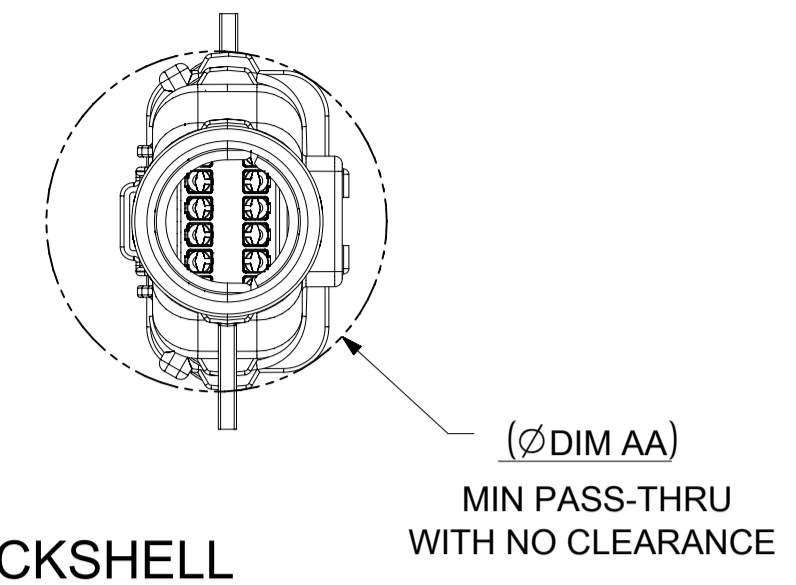
SHEET DESCRIPTION
MOLEX BACKSHELL CONFIGURATIONS

CHARTED DIMENSIONS

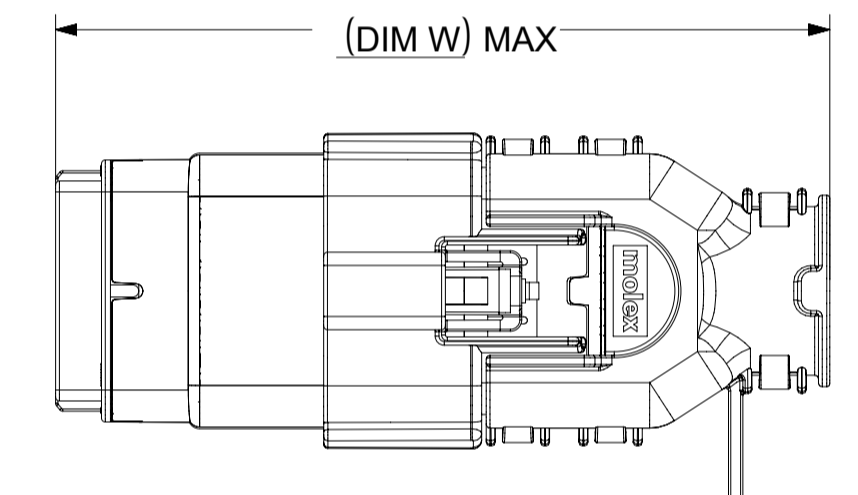
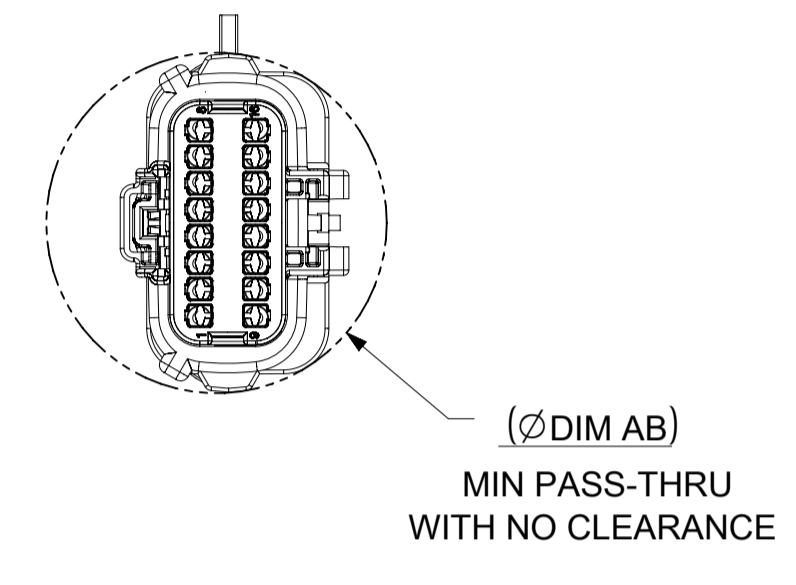
| CKT | BLADE CONFIGURATION | RECEPTACLE CONFIGURATION | DIMENSIONS | | | | | | | | | |
|------|---------------------|--------------------------|------------|--------|--------|-------|-------|-------|-------|-------|-------|-------|
| | | | U | V | W | X | Y | AA | AB | AC | AD | AE |
| 2X4 | STANDARD | STANDARD | 115.24 | 94.36 | 93.93 | 75.62 | 32.10 | 32.93 | 32.54 | 32.85 | 31.76 | 56.81 |
| 2X8 | STANDARD | STANDARD | 132.49 | 102.81 | 102.73 | 84.07 | 36.10 | 45.44 | 45.44 | 42.65 | 45.44 | 68.18 |
| 2X10 | STANDARD | STANDARD | 132.49 | 102.81 | 102.73 | 84.07 | 36.10 | 45.44 | 45.44 | 42.65 | 45.44 | 68.18 |



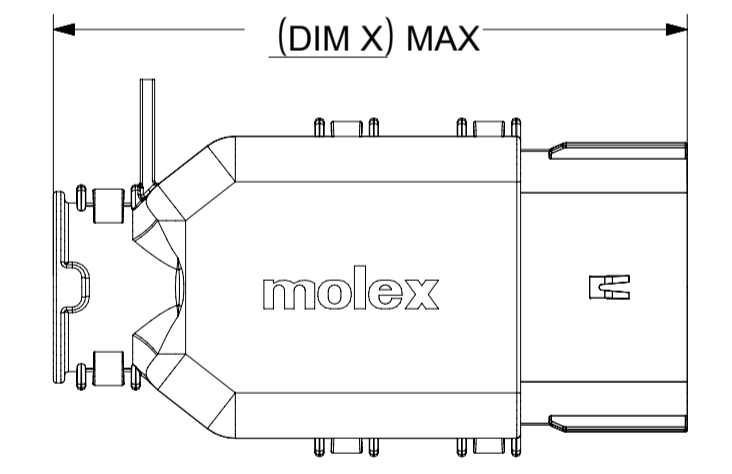
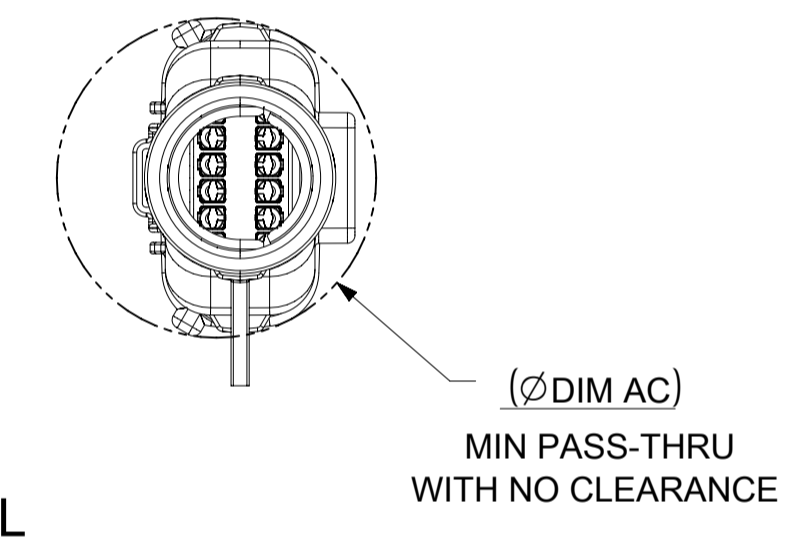
OVERALL MATED SYSTEM WITH BLADE AND RECEPTACLE BACKSHELL



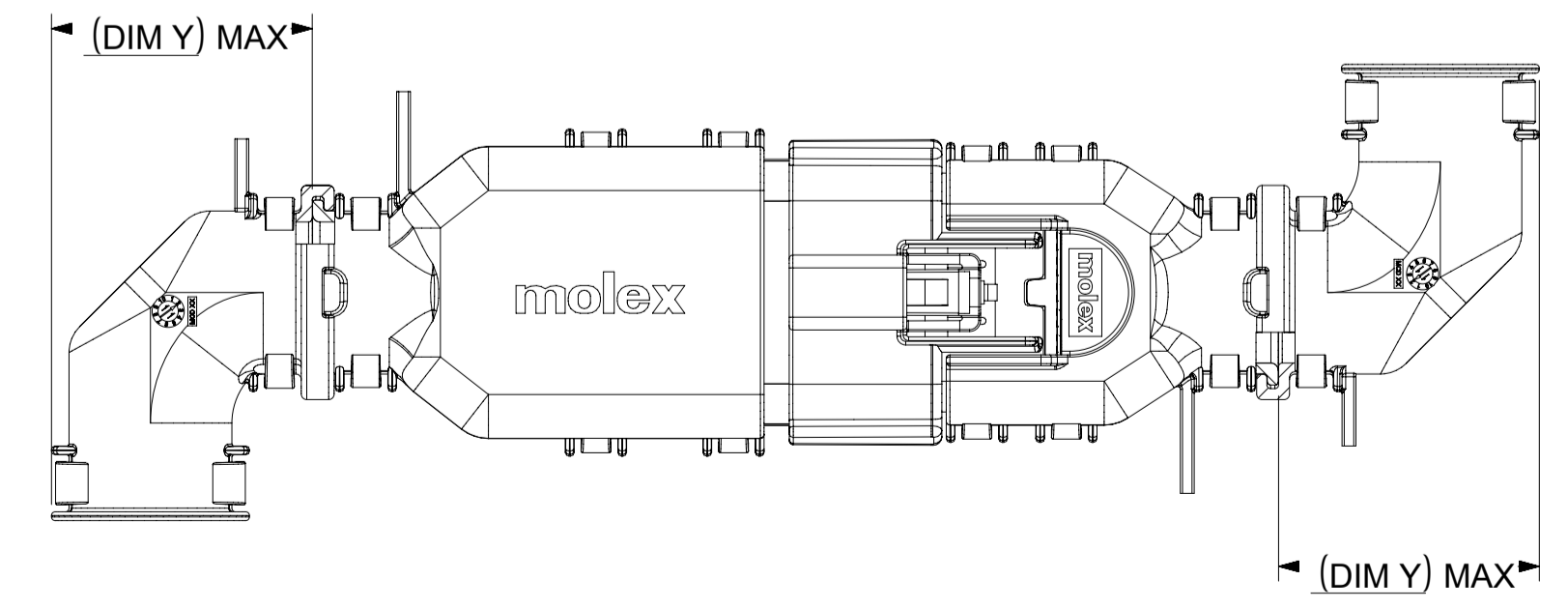
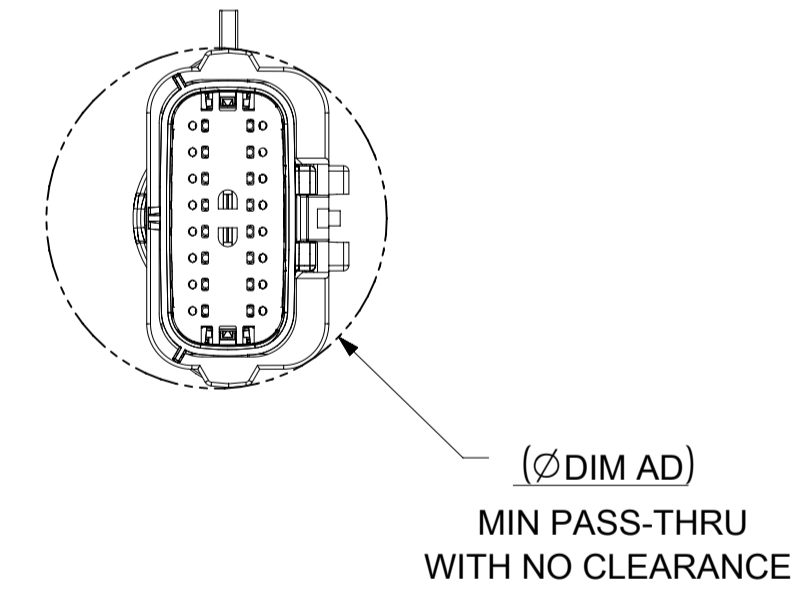
OVERALL MATED SYSTEM WITH BLADE BACKSHELL



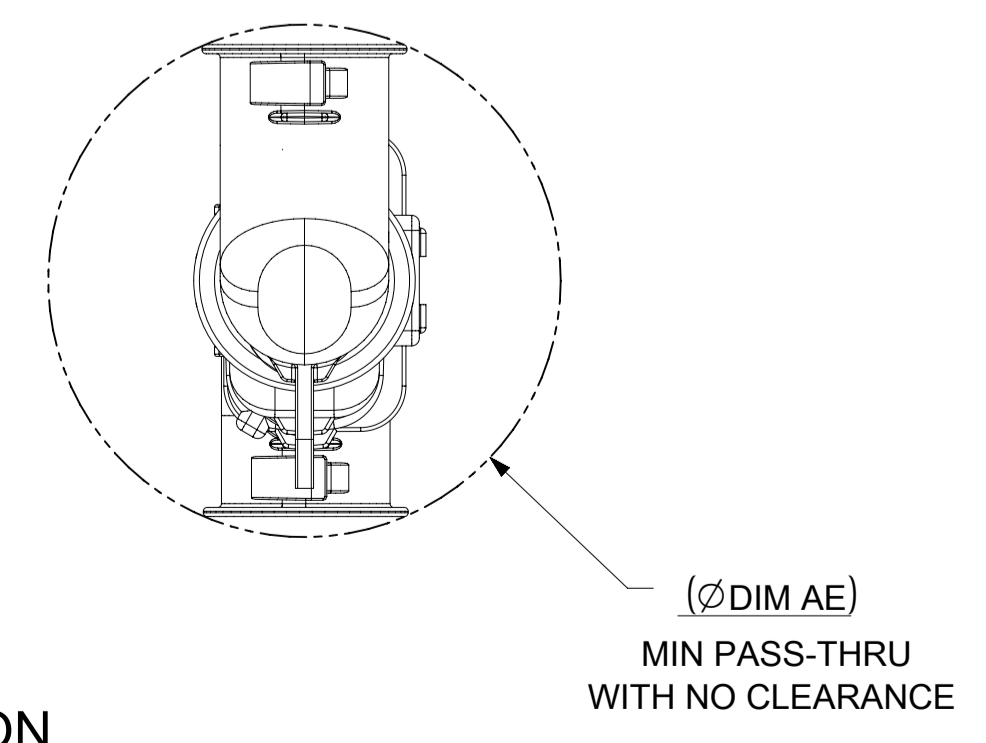
OVERALL MATED SYSTEM WITH RECEPTACLE BACKSHELL



BLADE SEALED ASSEMBLY WITH BLADE BACKSHELL



ADD THE VALUE OF 'Y' TO THE TOTAL DIMENSION WHENEVER ADAPTOR IS USED



| | | | | | | |
|---------|---|-------|--------------------------------|--------|-----------------|----------------|
| SYMBOLS | THIS DRAWING CONTAINS INFORMATION THAT IS PROPRIETARY TO MOLEX ELECTRONIC TECHNOLOGIES, LLC AND SHOULD NOT BE USED WITHOUT WRITTEN PERMISSION | | CURRENT REV DESC: | | | molex |
| | DIMENSION UNITS | SCALE | | | | |
| ∇ = 0 | mm | 1:1 | EC NO: 171650 | | | |
| ∇ = 0 | GENERAL TOLERANCES (UNLESS SPECIFIED) | | DRWN: PMANJUNATHAC 2018/01/03 | | | |
| ∇ = 0 | ANGULAR TOL ± 1.0° | | CHK'D: MVANSLAMBROU 2018/02/16 | | | |
| ∇ = 0 | 4 PLACES | ± | APPR: MVANSLAMBROU 2018/02/16 | | | |
| ∇ = 0 | 3 PLACES | ± | INITIAL REVISION: | | | |
| ∇ = 0 | 2 PLACES | ± 0.1 | DRWN: APROFFITT 2014/04/28 | | | |
| ∇ = 0 | 1 PLACE | ± 0.2 | APPR: VKOSHY 2014/05/14 | | | |
| ∇ = 0 | 0 PLACES | ± | THIRD ANGLE PROJECTION | | | |
| ∇ = 0 | DRAFT WHERE APPLICABLE MUST REMAIN WITHIN DIMENSIONS | | DRAWING | SERIES | MATERIAL NUMBER | CUSTOMER |
| | | | A1-SIZE | 33482 | | GENERAL MARKET |

**MX150 BLADE
DUAL ROW SEALED ASSEMBLY MAT SEAL**

PRODUCT CUSTOMER DRAWING

| | | | |
|-----------------|----------|----------|----------|
| DOCUMENT NUMBER | DOC TYPE | DOC PART | REVISION |
| SD-33482-0001 | PSD | 001 | E2 |