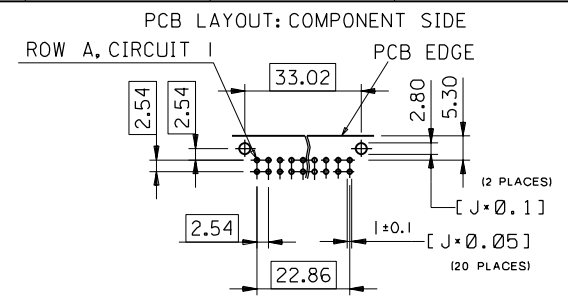
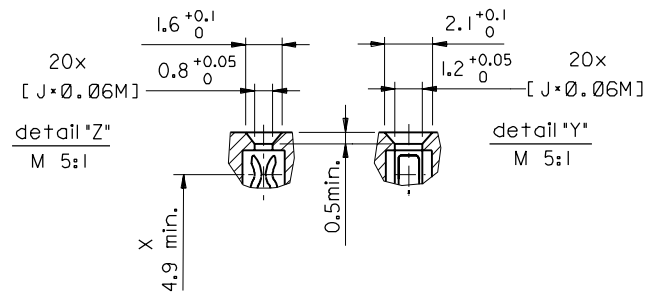
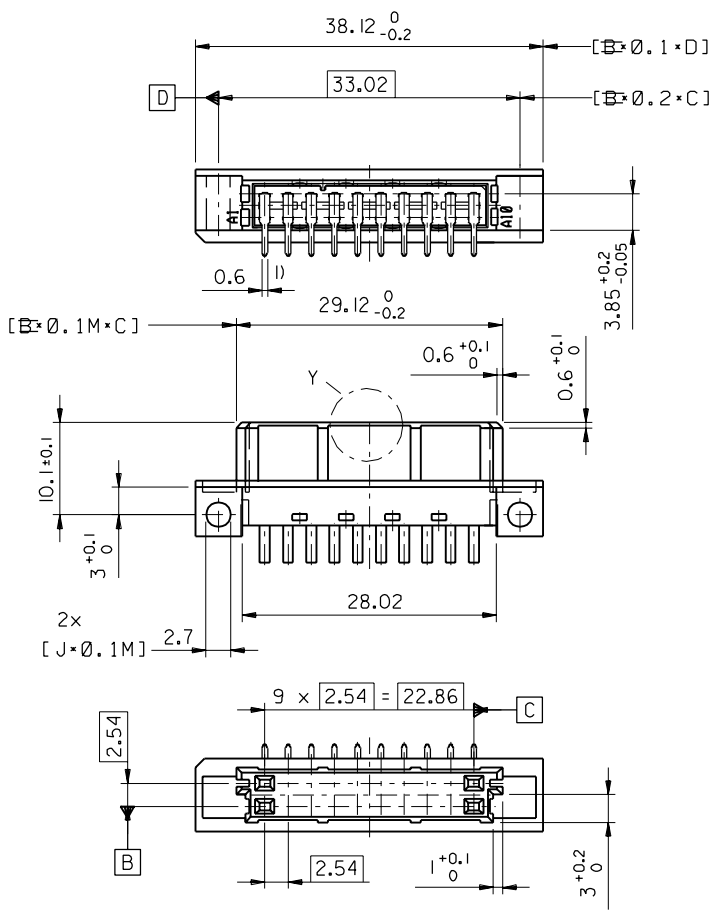
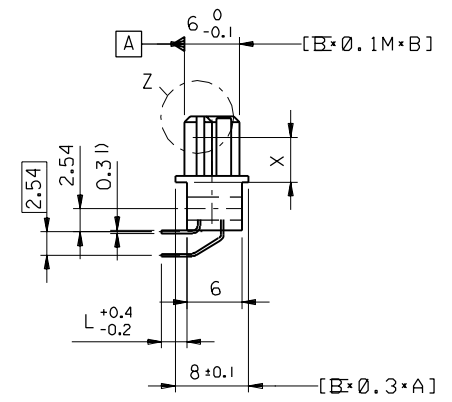


PART NO.
DWG. NO.

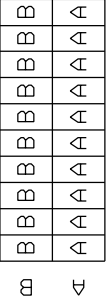


1) tails to fit in PC-board layout



FIRST ANGLE PROJECTION		REVISE ONLY ON CAD SYSTEM		SH.	REV.
UNLESS OTHERWISE SPECIFIED TOLERANCES: ANGULAR ±2°		DRWG BY	SIGN	CAD/CAM PROJECT NAME	
INCH METRIC		KN		85050000	
3 PLACE ±	±	CHK'D BY	SIGN	THIS DRAWING CONTAINS INFORMATION THAT IS PROPRIETARY TO MOLEX INC. & SHOULD NOT BE USED WITHOUT WRITTEN PERMISSION	
2 PLACE ±	±	Ca		TITLE	
1 PLACE ±	±	APP'D BY	SIGN	20 pos. female connector	
DRAFT WHERE APPLICABLE MUST REMAIN WITHIN DIMENSIONS		JB		DIN 41612 style Q/3	
DESIGN DIMENSION	<input checked="" type="checkbox"/> MM	SCALE		Dimensions	
EQUIVALENT DIMENSION	<input type="checkbox"/> MM	2:1		Molex MOLEX EUROPE	
IF TWO DIMENSIONS ARE SHOWN THE UPPER IS THE DESIGN DIMENSION, LOWER IS SECONDARY				SHEET NO. DATE	
				1 of 1 96/04/25	
				PART NO. DWG NO.	
				SDA-85050-0003	
				SIZE	
				B	

VIEW ON MATING SIDE



⊕ ⊙ Ⓢ ⊒ ⊕ ⊙ ⊒ ⊕ ⊙ ⊒

A = 10 CONTACTS L=2,8
 B = 10 CONTACTS L=2,8

S = 20 TOTAL NUMBER OF CONTACTS

Marking	Standard
Performance level	G1/0 = Contact area perform. level / Termination fin
Flux proof	no
Fixing clip	no
Dimensions	SDA-85050-0003 sht.1
Technical Data	PS-85052-0001

B	G1/0	b1-I0
A	G1/0	a1-I0
Contact symbol	Perform. level	Contact position number

Contact position number

ECN 2264	Produkt spec.	96-10-21 KN
LTR		FOR PREVIOUS REVISIONS SEE MRI LIST

REVISIONS

UNLESS OTHERWISE SPECIFIED TOLERANCES: ANGULAR ± 2°
 INCH METRIC

3 PLACE	±		±
2 PLACE	±		±
1 PLACE	±		±

DRAFT WHERE APPLICABLE MUST REMAIN WITHIN DIMENSIONS

DESIGN DIMENSION	<input type="checkbox"/> MM	<input type="checkbox"/> IN.
EQUIVALENT DIMENSION	<input type="checkbox"/> MM	<input type="checkbox"/> IN.

IF TWO DIMENSIONS ARE SHOWN, THE UPPER IS THE DESIGN DIMENSION, LOWER IS SECONDARY

DRWG BY	Cd	SIGN
CHK'D BY	KN	SIGN
APP'D BY		SIGN
SCALE		

CAD/CAM PROJECT NAME
 S85050000
 S51

THIS DRAWING CONTAINS INFORMATION THAT IS PROPRIETARY TO MOLEX INC. & SHOULD NOT BE USED WITHOUT WRITTEN PERMISSION

TITLE	20 pos. female connector acc. DIN 41612 style Q/3 contacts arrangement
PART NO.	85050-0050
DWG NO.	SDA-85050-0050
SIZE	A
SHEET NO.	1 OF 1
DATE	96/06/13



MOLEX EUROPE