

THIS DRAWING IS UNPUBLISHED.

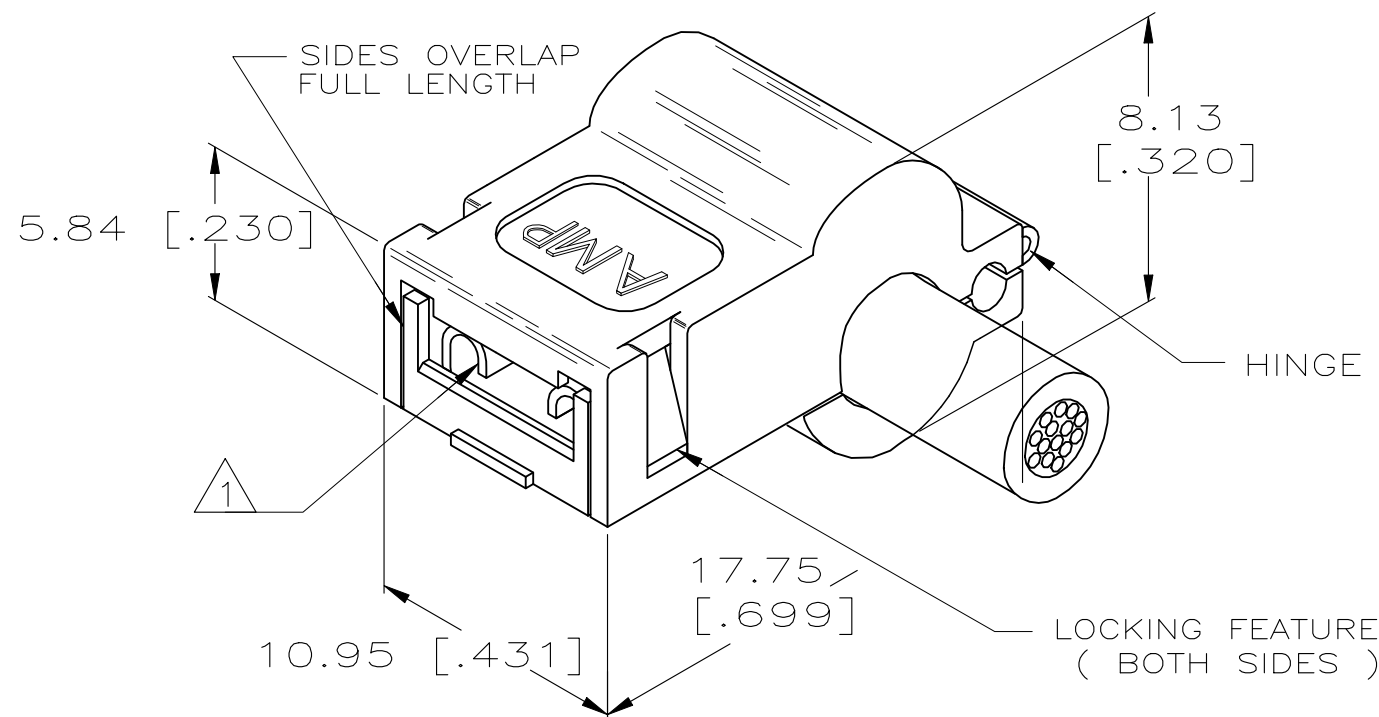
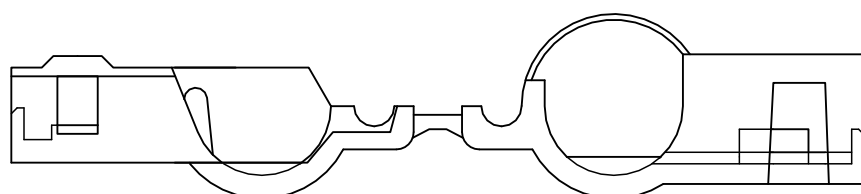
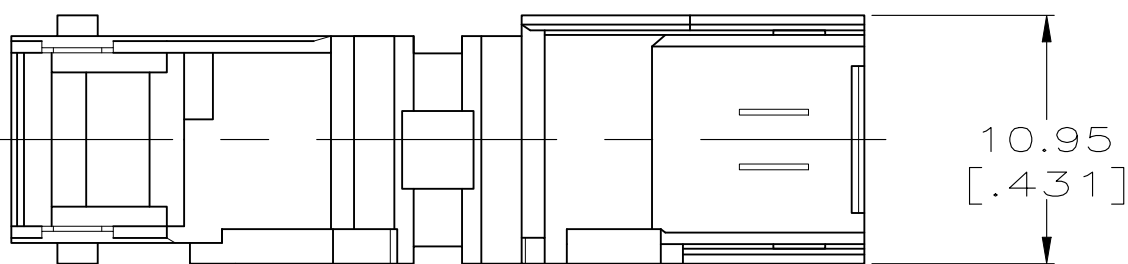
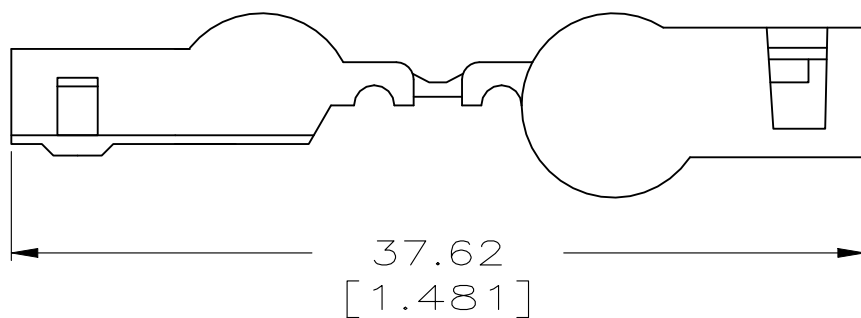
RELEASED FOR PUBLICATION

REVISIONS

© COPYRIGHT - TE Connectivity Ltd.

ALL RIGHTS RESERVED.

P	LTR	DESCRIPTION	DATE	DWN	APVD
H		REVISED PER ECN-22-147652	07APR2022	MK	ES



NOTES:

- 1 4.75 [.187] SERIES TAB-LOK FLAG FASTON RECEPTACLE. TERMINAL NUMBERS 42486, 42618, 42800, AND 60820.
- 2 SEE CP-29349 FOR RECOMMENDED TAB DETAILS.
- 3 CONTINUOUS STRIP ON REELS.
- 4 LOOSE PIECE ( ONE POD).
- 5 GLOW WIRE APPROVED, CONTACT TYCO ELECTRONICS FOR ENGN SPECIFICATIONS, ALL WALL THICKNESSES ARE BETWEEN 0.4mm AND 3.0mm.
- 6 SUPERSEDED BY 480487-4
- 7 REFER TO SPECIFICATION 408-143119 FOR GUIDANCE ON RE-MOISTURIZATION AND PART STORAGE

TYPE	MATERIAL	PART NO.
4	66 NYLON VOGWT 130C	480487-4
4	5	1-480487-4
OBSOLETE 4	6/6 NYLON, VO	1-480487-3
4	6/6 NYLON	1-480487-2
OBSOLETE 3	6/6 NYLON	1-480487-0

THIS DRAWING IS A CONTROLLED DOCUMENT.		DWN JR RUTH 6/27/97	<b>STE</b> TE Connectivity	
DIMENSIONS: mm [INCHES]		CHK MS FEHER 6/27/97		
TOLERANCES UNLESS OTHERWISE SPECIFIED:		APVD R BEAVER 6/27/97	NAME	
0 PLC ± -		HOUSING, AMPIP, FASTON, TAB-LOK, 4.75 [.187] SERIES		
1 PLC ± -		SIZE CAGE CODE DRAWING NO RESTRICTED TO		
2 PLC ± 0.38 [.015]		A3 00779 C-480487		
3 PLC ± -		SCALE 3:1 SHEET 1 OF 1 REV H		
4 PLC ± -		CUSTOMER DRAWING		
4 PLC ANGLES ± -				
MATERIAL SEE TABLE		FINISH NATURAL		