	All rights reserved Department EL PD - DE	All Dimensions in mm Original Size DIN A4		Scale 1:1	Free size tol.		Ref. Sub.		
		HARTING Electric GmbH & Co. KG D-32339 Espelkamp	Created by RULLKOETTER	Inspected by RIEPE	Standardisation TIEMANNA	Date 2017-01-12	State Final Release		Doc-Key / ECM-Nr. 100670785/UGD/002/C 500000113683
		Title Han Ex UL 4A Set						Rev. C	Page 1/2
		Type TB	Number 10 36 104 0001						

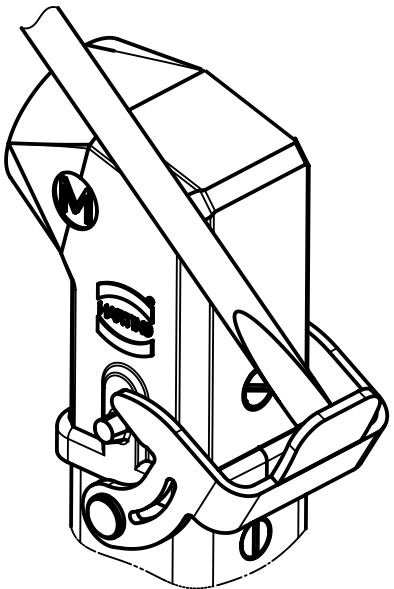
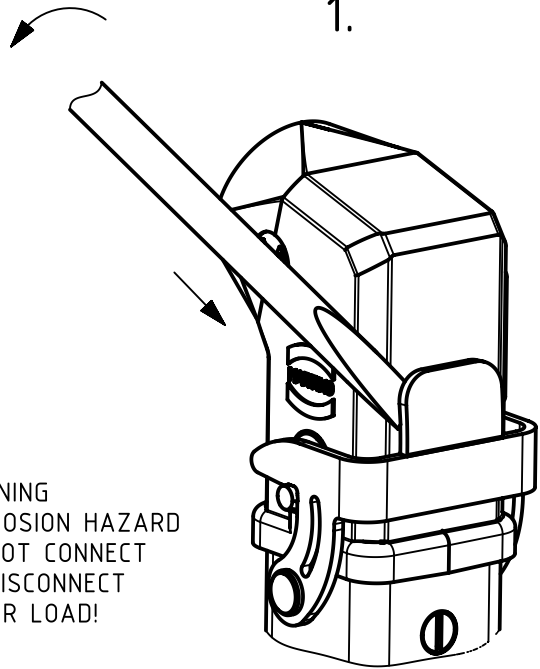
FOR USE WITH AWG: 18

FOR USE WITH CABLE TYPE:  
PLTC, PLTC-ER, ITC, ITC-ER, MC, MV AND TC

FOR USE IN CLASS I, DIVISION 2 GROUPS A, B, C, AND D  
HAZARDOUS LOCATIONS OR UNCLASSIFIED LOCATIONS

1.

2.



WARNING  
EXPLOSION HAZARD  
DO NOT CONNECT  
OR DISCONNECT  
UNDER LOAD!

THE INSTALLATION MUST BE IN  
ACCORDANCE WITH THE  
ASSOCIATED LOCATION  
RESTRICTIONS OF THE NATIONAL  
ELECTRIC CODE OR CANADIAN  
ELECTRICAL CODE AS  
APPLICABLE, INCLUDING ISSUES  
SUCH AS THE ROUTING,  
SUPPORT AND LENGTH OF THE  
INVOLVED CORD OR CABLE.

To separate connectors, insert small flathead tool or screwdriver between metal lever and housing as shown in the diagram. Press screwdriver in a downward direction until the metal lever releases.

To secure the hood and housing assembly together, press the metal levers in the upward direction until metal lever latches into housing pins.