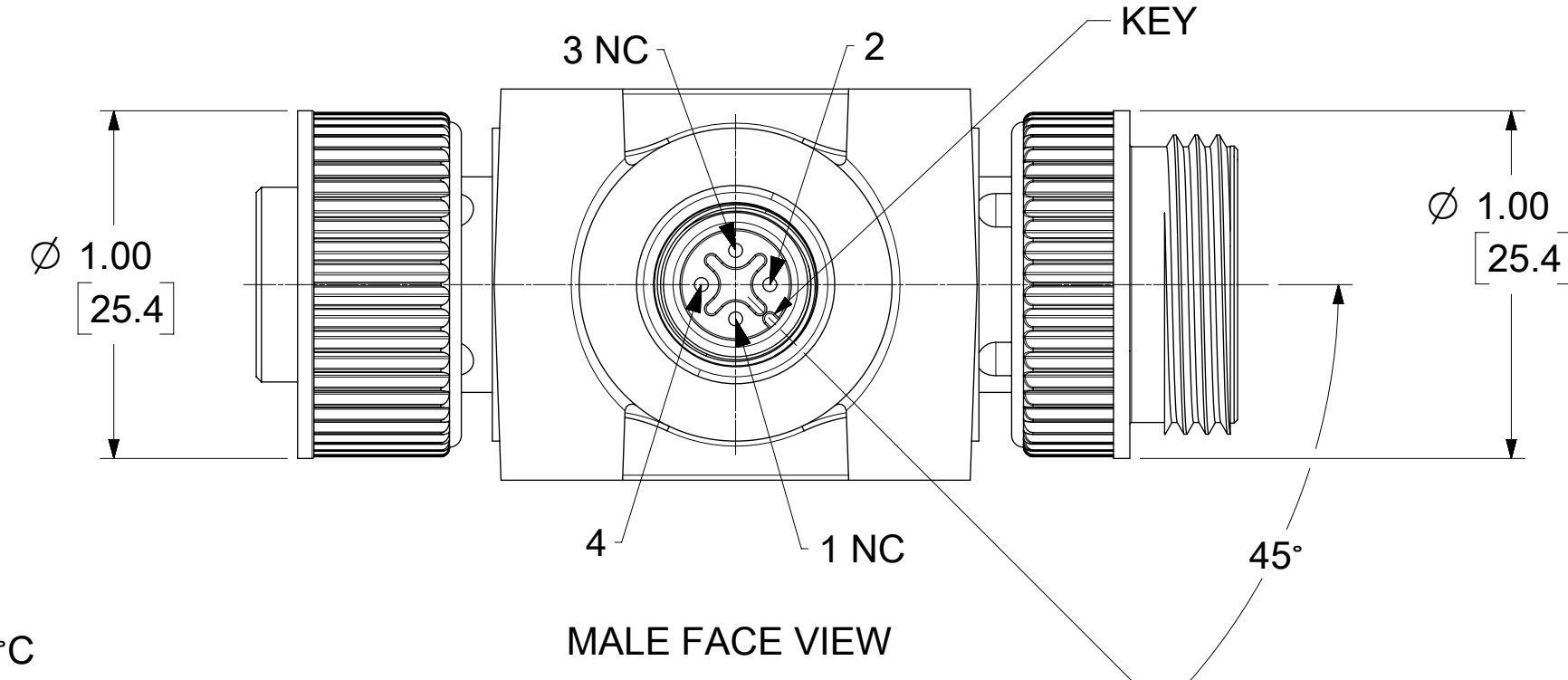
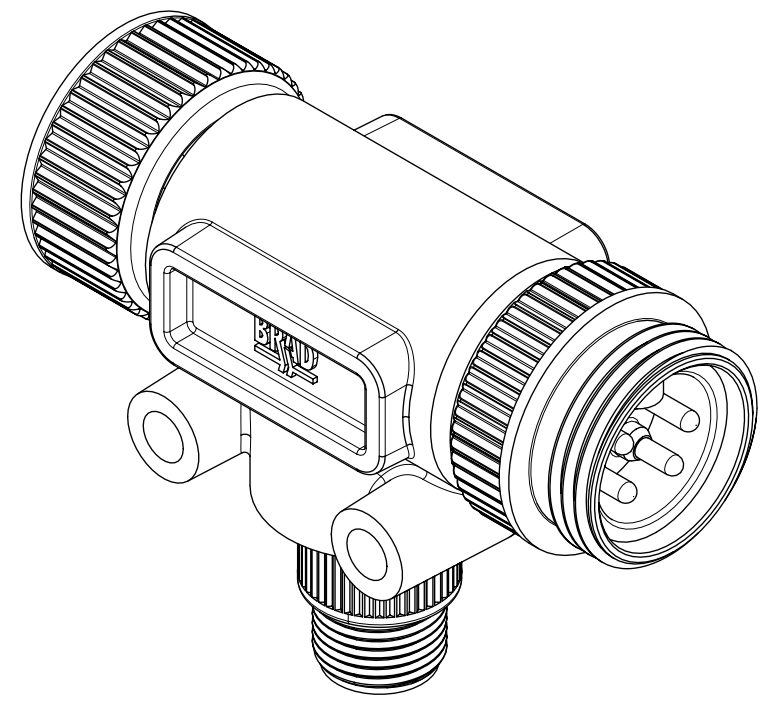
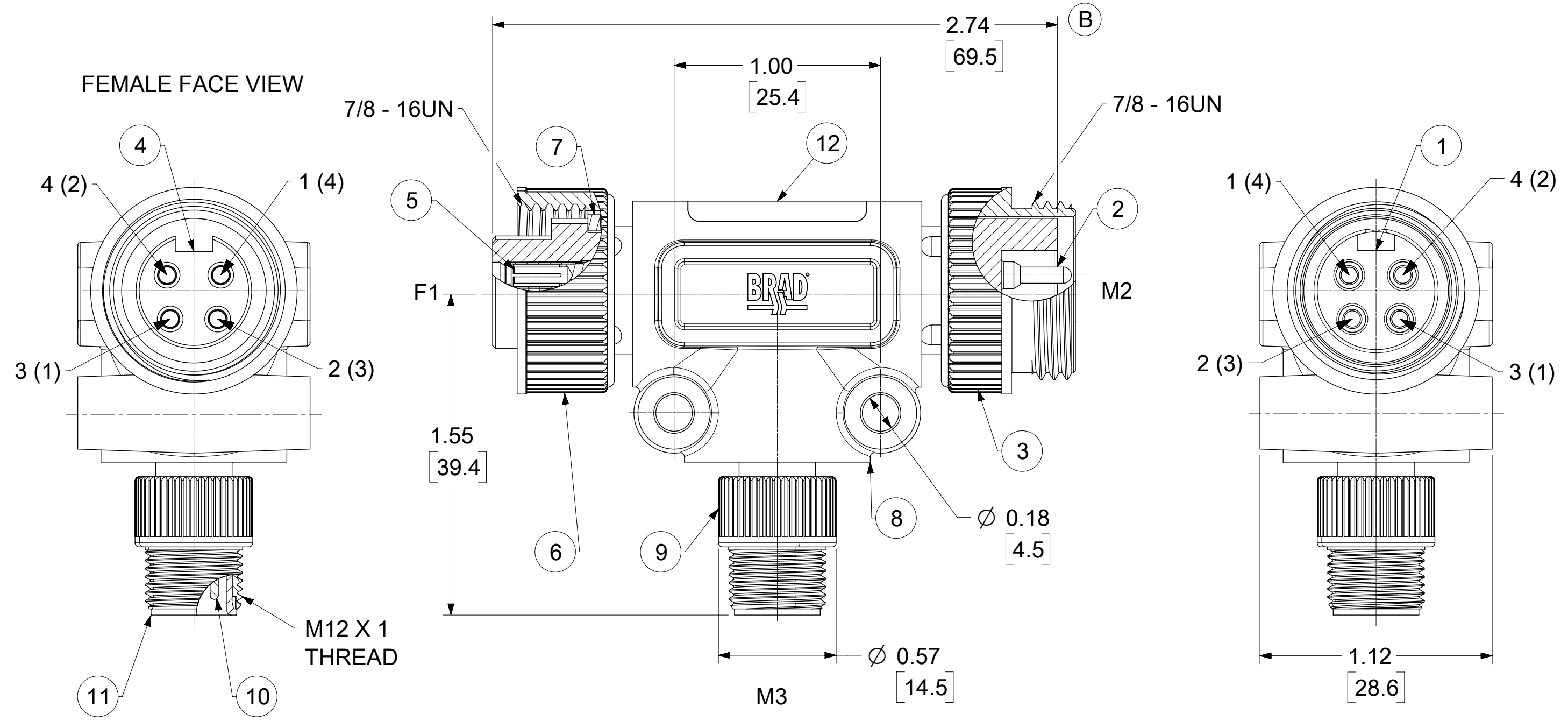
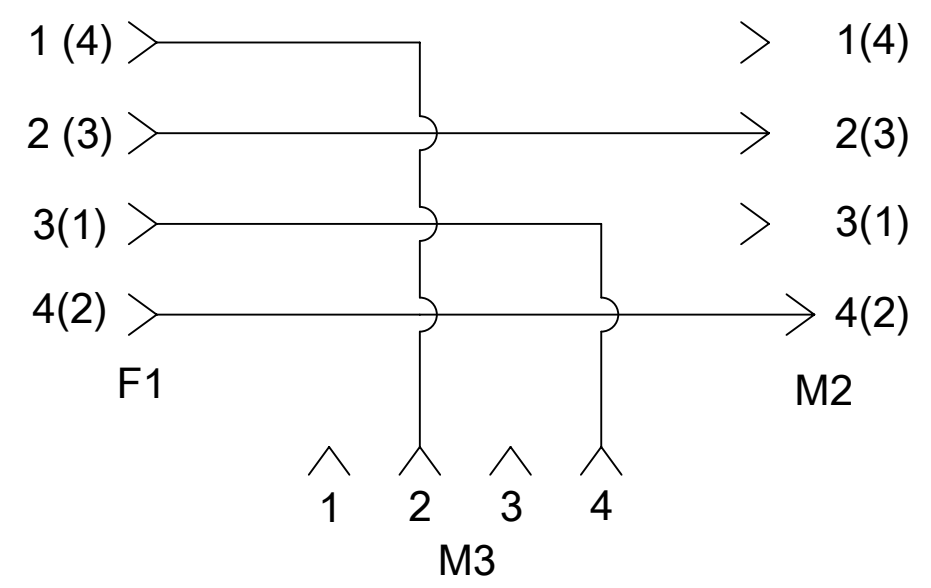


ENG. NO.
YY/MM/DD
XXXV, XXA

B LABEL DETAIL



SCHEMATIC (CENELEC)



- NOTES:**
1. MATERIAL: AS NOTED
 2. FINISH: AS NOTED
 3. ELECTRICAL:
VOLTAGE; 250V AC/DC
CURRENT: 4A
 4. TEMP RATING: -20°C TO +80°C
 5. PROTECTION: IP67 (WHEN MATED)
 6. ALL DIMS ARE FOR REFERENCE UNLESS WITH TOLERANCE
 7. UL RECOGNIZED FILE: E152210
 8. MINI-CHANGE PINOUT IS SAE (CENELEC IN PARENTHESIS)

ITEM	DESCRIPTION	MATERIAL	FINISH
12	ID LABEL	POLYPROPYLENE	CLEAR
11	MIC MALE INSERT	NYLON	BLACK
10	MIC PIN CONTACT	COPPER ALLOY	GOLD PLATED
9	MIC MALE COUPLER	ZINC DIE CAST	BLACK E-COAT
8	OVERMOLD	TPE	ORANGE
7	FRICTION RING	NYLON	NATURAL
6	FEMALE COUPLER	ZINC DIE CAST	BLACK E-COAT
5	CONTACT SOCKET	COPPER ALLOY	GOLD PLATED
4	FEMALE INSERT (A-SIZE)	TPE	YELLOW
3	MALE COUPLER	ZINC DIE CAST	BLACK E-COAT
2	CONTACT PIN	COPPER ALLOY	GOLD PLATED
1	MALE INSERT (A-SIZE)	TPE	YELLOW

SYMBOLS DIMENSION UNITS: HYBRID SCALE: 2:1 GENERAL TOLERANCES (UNLESS SPECIFIED): ANGULAR TOL: ± ° 4 PLACES: ± 3 PLACES: ± 2 PLACES: ± 1 PLACE: ± 0 PLACES: ± DRAFT WHERE APPLICABLE: MUST REMAIN WITHIN DIMENSIONS THIRD ANGLE PROJECTION:		CURRENT REV DESC: 2.74 WAS 2.83 TO END OF COUPLING. ADD ID LABEL AND LABEL DETAIL, UPDATE NOTE 7 FOR UL FILE EC NO: 707283 DRWN: CCHRASKA 2019/11/22 CHK'D: MZIELINSKI 2022/05/24 APPR: BWOODMAN 2022/06/03 INITIAL REVISION: DRWN: MZIELINSKI 2019/03/21 APPR: BWOODMAN 2019/08/20	 MC 4PTEE MICRO DROP SPCL WIRING PRODUCT CUSTOMER DRAWING DOCUMENT NUMBER: 1300350118 DOC TYPE: PSD DOC PART: 000 REVISION: B MATERIAL NUMBER: SEE TABLE CUSTOMER: SEE TABLE SHEET NUMBER: 1 OF 1
---	--	--	--