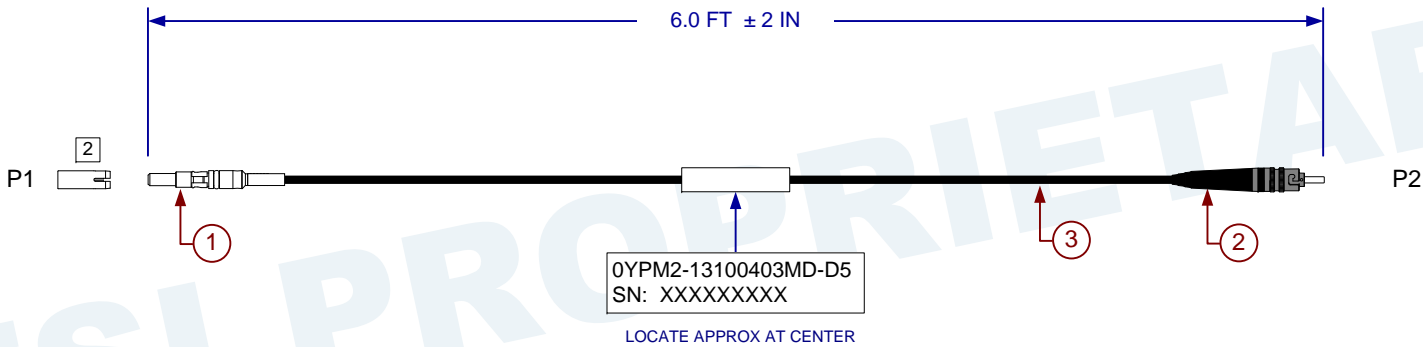


NOTES:

- 1) LABELS ARE M23053/5 ,WHITE. ACCEPTABLE SUBSTITUTION IS DAT-38-292 OR TRANSVINYL (DAT-63-292-2.5).
- 2) DO NOT INSTALL CAPTIVATOR. PUT CAPTIVATOR IN SMALL ZIPLOCK BAG ATTACHED TO CABLE ASSEMBLY.
- 3) TERMINUS ENFACE REQUIREMENTS SHALL MEET GR-326 AND IEC 61300-3-35.
- 4) MAX IL @ 1310 nm SHALL BE 0.5 dB PER CONNECTION.

REVISION HISTORY -- ALL SHEETS ARE AT THE SAME REVISION			
REV	DESCRIPTION	DATE	APPROVED
-	INITIAL RELEASE	2017/11/13	



4	AFSI-PRE T BOX	BOX, SMALL FIBER CABLE 10X10X2 W/AFSI GRAPHICS	1
3	M85045/16-02	CABLE, MIL-SPEC SHIPBRD, 1-FBR, SM 8.3/125um	6.5 FEET
2	MSTC2000	ST CONNECTOR, SM, 126um (M83522/16-DNY)	1
1	M29504/15-4181C	QPL SOCKET TERM. 126UM, SM WITH CRIMP, SYMB 4181	1
ITEM NO.	PART NO.	DESCRIPTION	QTY/ LENGTH

		MATERIAL:	DFTR/Designer: C. Hoang 2017/10/20	Amphenol FSI
			Check By: B. Waite 2017/10/24	
			Manufacturing: B. Waite 2017/10/24	
			Market Manager/PLM: Q. Abraham 2017/10/25	
		DRILLED HOLE DIAMETER TOLERANCE Ø.000 TO Ø.125 ^{+0.001} / _{-.001} Ø.126 TO Ø.250 ^{+0.002} / _{-.001}	Configuration Management: L. Brown 2017/11/13	TITLE: SIMPLEX /15 TERMINI TO MIL ST ASSEMBLY, SM
		DO NOT SCALE DRAWING UNLESS OTHERWISE SPECIFIED DIMENSIONS ARE IN INCHES TOL ON ANGLES ±3° 1 PL ±.1 2 PL ±.02 3 PL ±.010 INTERPRET DIM AND TOL PER ASME 14.2M-1994	This Document contains proprietary information and such information is prohibited from disclosure to others, publication or duplication in whole or in part without written permission from Amphenol Fiber Systems International. Copyright © 2017 Amphenol Fiber Systems International. Non published work. All rights reserved.	SIZE A
NEXT ASSY	USED ON			CAGE CODE OYPM2
APPLICATION				DWG NO 13100403MD-D5
				REV -
				SCALE: NONE
				SHEET 1 OF 1