

# Flush-type connector - SACC-CI-M12FSK-4PE-L180 THR R - 1420831

Please be informed that the data shown in this PDF Document is generated from our Online Catalog. Please find the complete data in the user's documentation. Our General Terms of Use for Downloads are valid (<http://phoenixcontact.com/download>)




Flush-type connector, Power, 5-position, Socket, straight, K - Power, PCB mounting, THR solder connection

## Your advantages

- ✓ For compact devices: transmit high power in a confined space
- ✓ Reduced mounting costs thanks to two-piece device connector
- ✓ Packaging available for automated pick and place assembly
- ✓ All common pin assignments and codings available
- ✓ Easy device integration, thanks to mechanical port screw connections with threaded fastening
- ✓ Additional gasket for the device when not plugged in



## Key Commercial Data

Packing unit	60 pc
Minimum order quantity	60 pc
GTIN	 4 055626 280585
GTIN	4055626280585

## Technical data

### Ambient conditions

Ambient temperature (operation)	-25 °C ... 105 °C
	-40 °C ... 105 °C (without mechanical actuation)
Degree of protection	IP67, when plugged in

### General

Note	The electrical and mechanical data specified assume that the connector pair is correctly locked and mounted. If the connector is unlocked and if there is a danger of contamination, the connector must be sealed using a protective cap > IP54. Influences arising from litz wires, cables or PCB assembly must also be taken into consideration.
Rated current at 40°C	16 A

# Flush-type connector - SACC-CI-M12FSK-4PE-L180 THR R - 1420831

## Technical data

### General

Rated voltage	630 V
Rated surge voltage	6 kV
Number of positions	5
Coding	K - Power
Standards/regulations	M12 connector IEC 61076-2-111 In line with
Signal type/category	Power
Overvoltage category	III
Degree of pollution	3
Connection method	THR solder connection
Insertion/withdrawal cycles	> 100
Mounting type	PCB mounting
Type of packaging	Belt
Delivery state	with assembly pad

### Material

Flammability rating according to UL 94	V0
Contact material	CuZn
Contact surface material	Au
Contact carrier material	PA4T
Sealing material	FKM

### Cable

Standards/specifications	M12 connector IEC 61076-2-111 In line with
--------------------------	--

### Standards and Regulations

Standard designation	M12 connector
Standards/regulations	IEC 61076-2-111
Flammability rating according to UL 94	V0

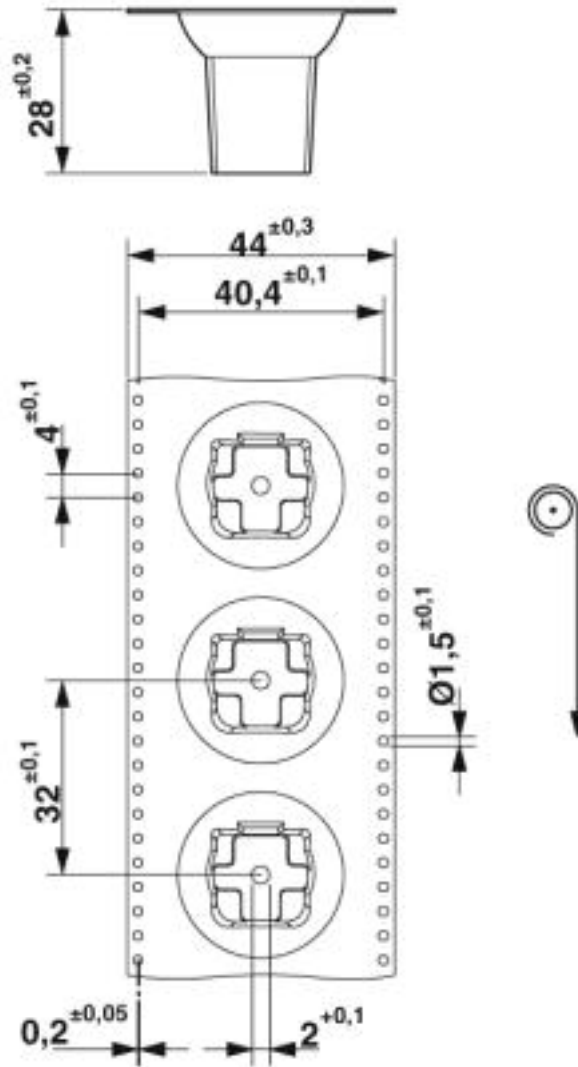
### Environmental Product Compliance

	Lead 7439-92-1
China RoHS	Environmentally Friendly Use Period = 50
	For details about hazardous substances go to tab "Downloads", Category "Manufacturer's declaration"

## Drawings

# Flush-type connector - SACC-CI-M12FSK-4PE-L180 THR R - 1420831

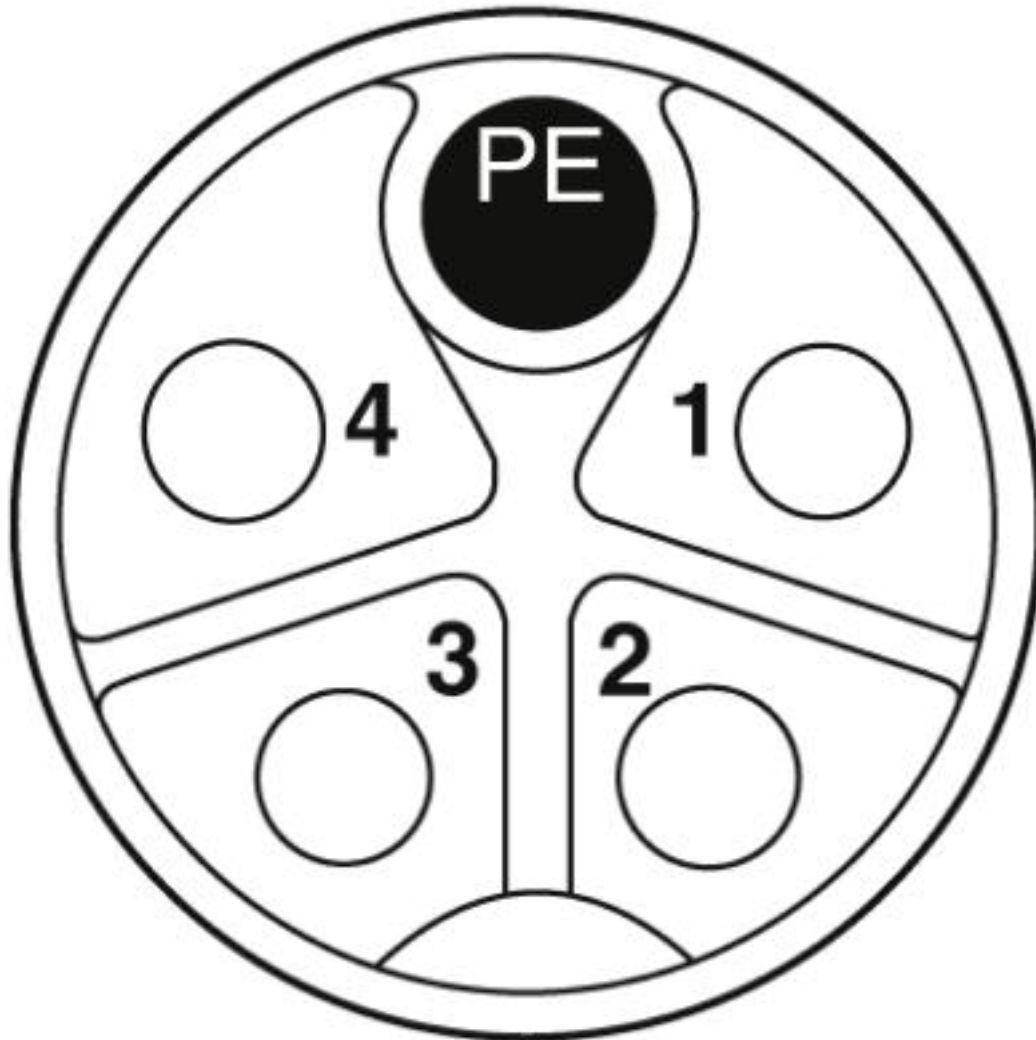
Dimensional drawing



THR tape-on-reel packing

# Flush-type connector - SACC-CI-M12FSK-4PE-L180 THR R - 1420831

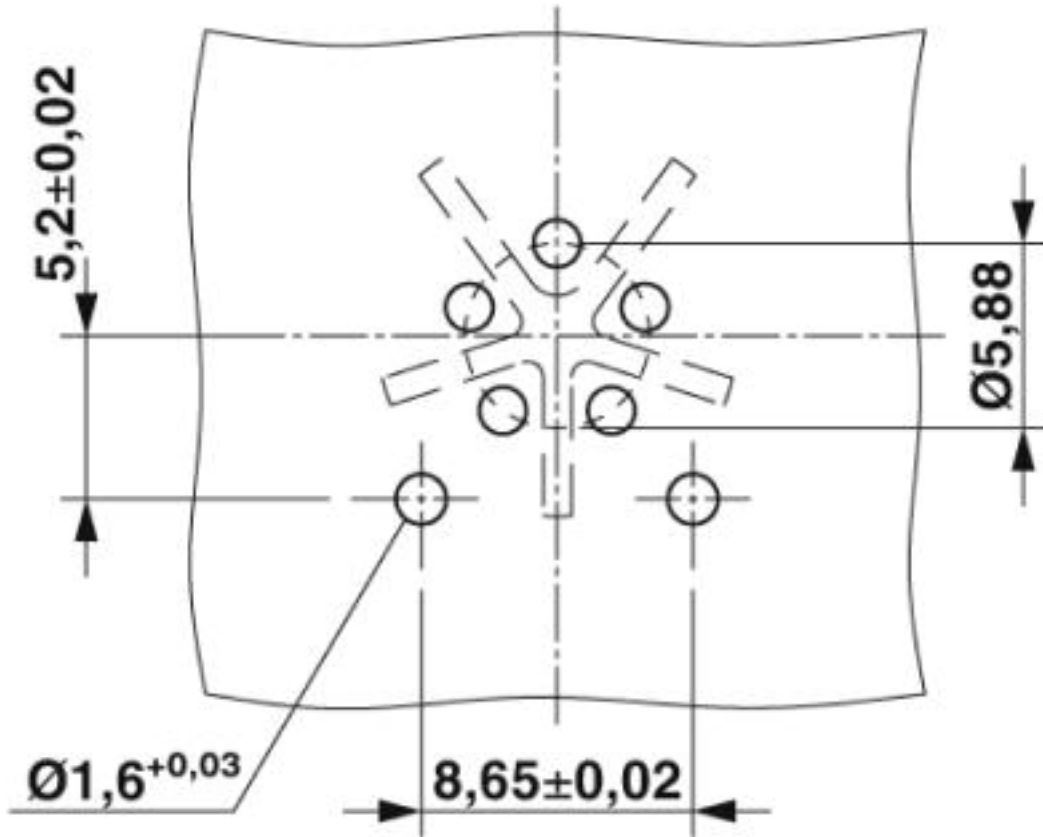
Schematic diagram



Pin assignment of M12 socket, 5-pos., K-coded, socket side view

# Flush-type connector - SACC-CI-M12FSK-4PE-L180 THR R - 1420831

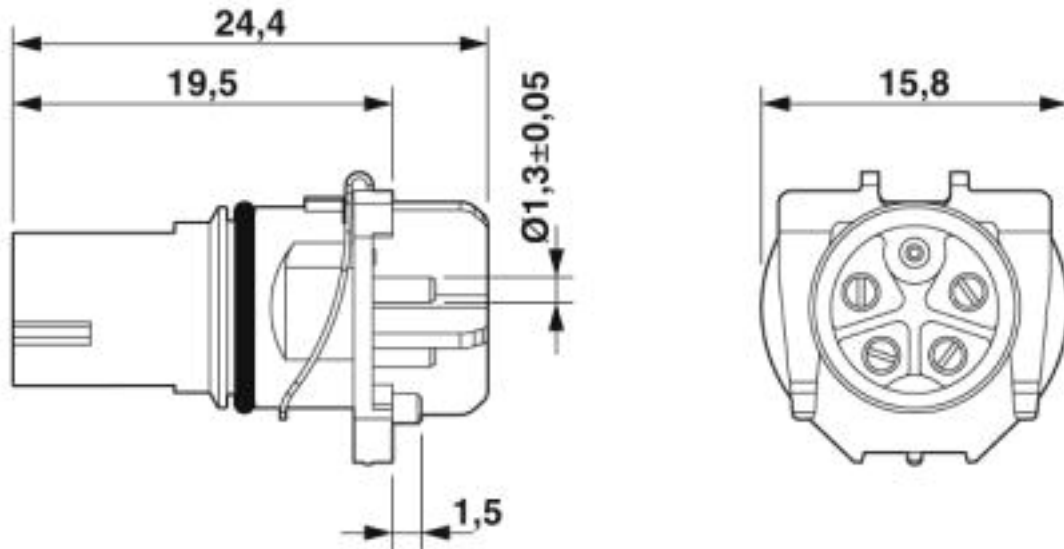
Drilling diagram



Soldering pad geometry

# Flush-type connector - SACC-CI-M12FSK-4PE-L180 THR R - 1420831

Dimensional drawing



M12 flush-type connector

## Approvals

Approvals

Approvals

cULus Recognized

Ex Approvals

## Approval details

cULus Recognized		<a href="http://database.ul.com/cgi-bin/XYVV/template/LISEXT/1FRAME/index.htm">http://database.ul.com/cgi-bin/XYVV/template/LISEXT/1FRAME/index.htm</a> E468743-20180113
Nominal voltage UN	600 V	
Nominal current IN	16 A	

Phoenix Contact 2019 © - all rights reserved  
<http://www.phoenixcontact.com>

PHOENIX CONTACT GmbH & Co. KG  
Flachmarktstr. 8  
32825 Blomberg  
Germany  
Tel. +49 5235 300  
Fax +49 5235 3 41200  
<http://www.phoenixcontact.com>