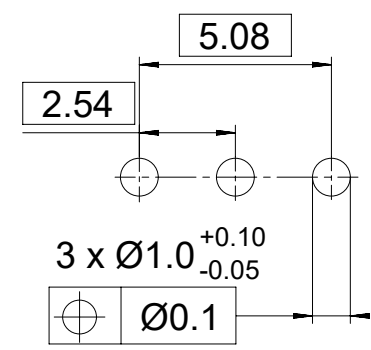
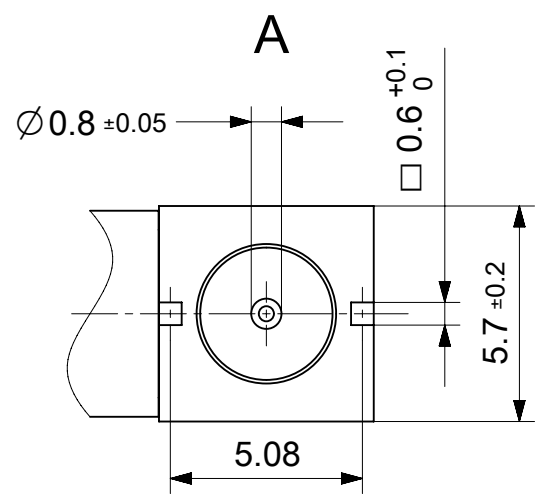
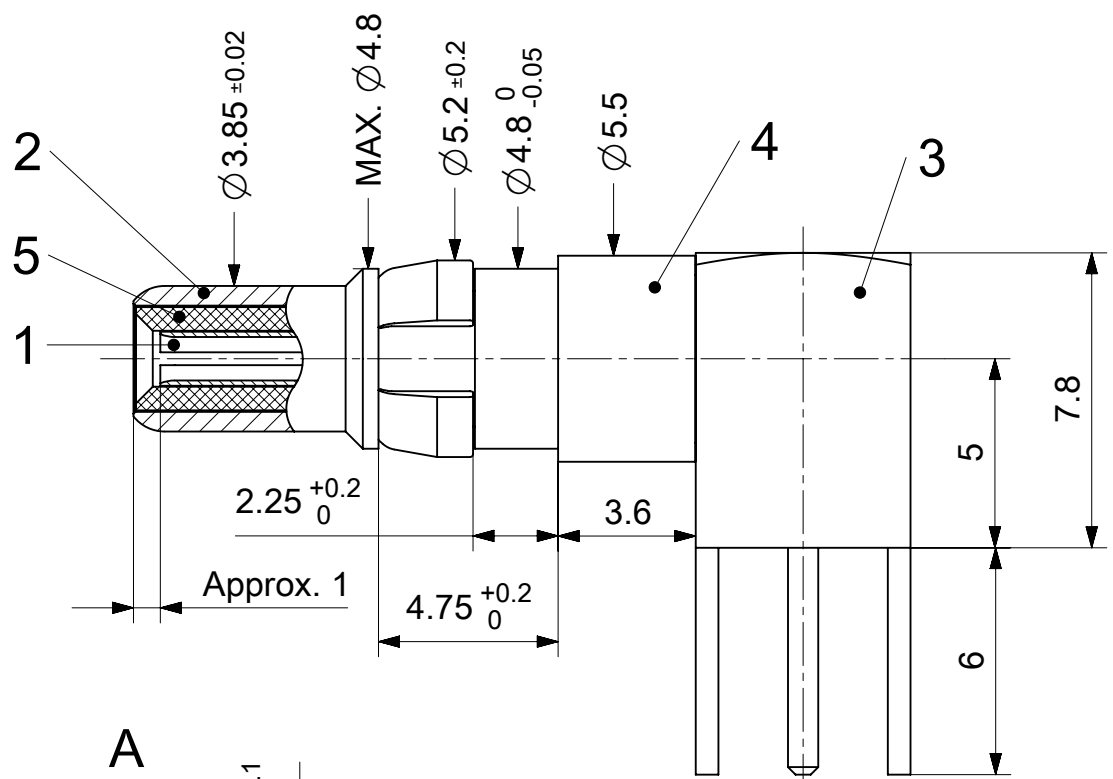


2:1

PCB-Layout



1731120823	FME008P101	101
1727040129	FME008P102	102
1731140044	FME008P128	128
1731121072	FME008P202	202
Material Number	FCT Part Number	Material + Finish See extra sheet



RoHS compliant
by exemption

UNLESS OTHERWISE SPECIFIED DIMENSIONS FOR REFERENCE ONLY		REPLACEMENT FOR DOCUMENT NUMBER: FME008P	
FUNCTIONAL SYMBOLS	THIS DRAWING CONTAINS INFORMATION THAT IS PROPRIETARY TO MOLEX ELECTRONIC TECHNOLOGIES, LLC AND SHOULD NOT BE USED WITHOUT WRITTEN PERMISSION		
$\frac{F}{A} = 0$ $\frac{F}{E} = 0$ $\frac{F}{P} = 0$	DIMENSION UNITS: mm SCALE: 5:1 GENERAL TOLERANCES (UNLESS SPECIFIED) ANGULAR TOL: ± ° 4 PLACES ± 3 PLACES ± 2 PLACES ± 1 PLACE ± 0 PLACES ±	CURRENT REV DESC: EC NO: 710158 DRWN: VLOKESHA 2021/04/16 CHK'D: FVETTER 2022/06/13 APPR: FVETTER 2022/06/13 INITIAL REVISION: DRWN: VLOKESHA 2021/04/16 APPR: FVETTER 2022/06/13	<div style="text-align: center;">molex</div> <p>FCT 50 OHM COAXIAL CONTACT FOR D-SUB</p> <p>PRODUCT CUSTOMER DRAWING</p>
DIVISIONAL SYMBOLS	DRAFT WHERE APPLICABLE MUST REMAIN WITHIN DIMENSIONS	FIRST ANGLE PROJECTION	DRAWING: A4-SIZE
		SERIES: 173112	MATERIAL NUMBER: SEE TABLE
		CUSTOMER: GENERAL MARKET	SHEET NUMBER: 1 OF 1