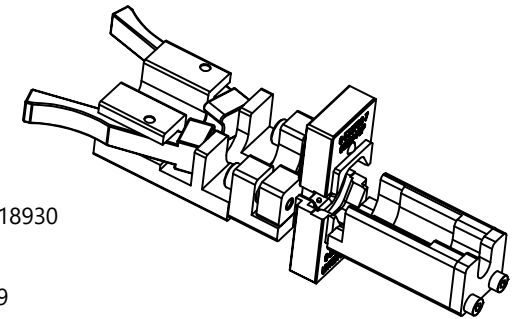
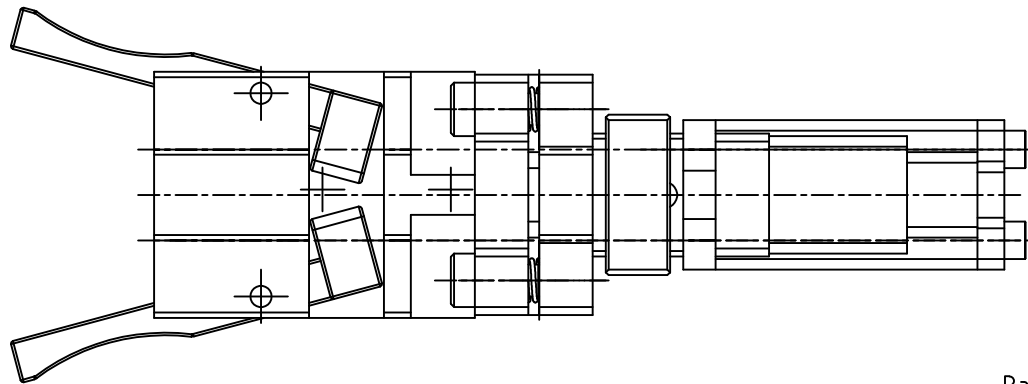
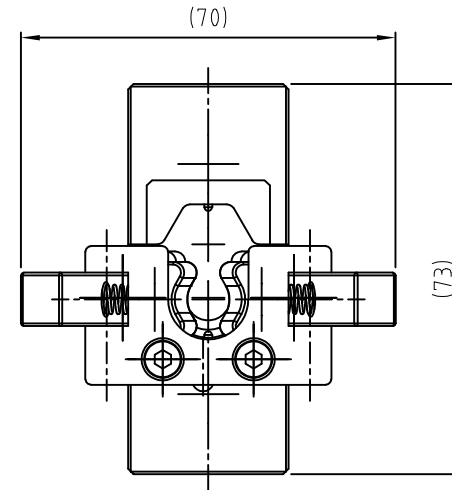
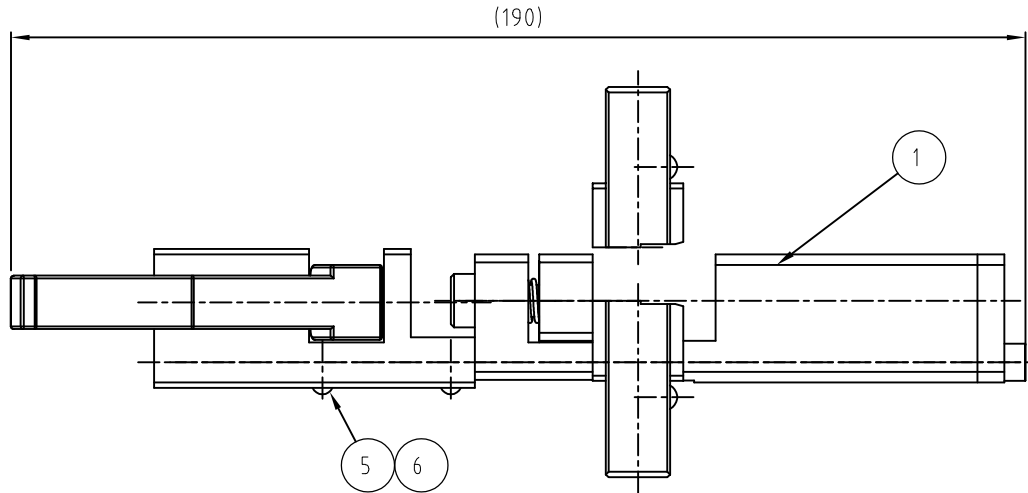


REVISIONS

P	LTR	DESCRIPTION	DATE	DWN	APVD
E		ECR-20-015647	03NOV2020	LS	MP



CUSTOMER MANUAL: 412-18930

APPLICATION SPECIFICATION: 114-18669


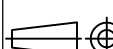
Einsatz mit hydraulischer Handzange HPZ 50.1 PN 539783-1
verwendbar
Die set used in combination with hydraulic hand tool HPZ 50.1
PN 539783-1

Part list:

ITEM NO	PART NO	REV	PCS	DESCRIPTION	SPARE PARTS	WEAR PARTS
6	2168078-1	A	2	SCREW,DRIVE,ROUND HD,METALLIC	X	-
5	9-519637-2	A	1	TYPE PLATE, HV TOOLING	X	-
1	5-563081-2	A	1	DIE SET INCL.LOC,SHIELD CRIMP,50SQ.MM	X	-

Position 1 included:

PART NO	REV	PCS	DESCRIPTION	SPARE PARTS	WEAR PARTS
7-563080-4	A	1	TOOL ASSEMBLY,SHIELD CRIMP,50SQ.MM	X	X
1-519586-1	K	1	CRIMP DIE SET HV 50 SQ MM	X	X

THIS DRAWING IS A CONTROLLED DOCUMENT.		DWN H. QUIRING 13MAY2009	 TE Connectivity DIE SET, LOCATOR HV 50 SQ MM
DIMENSIONS: mm		CHK H. QUIRING 13MAY2009	
TOLERANCES UNLESS OTHERWISE SPECIFIED:		APVD H. QUIRING 13MAY2009	
 0 PLC ± - 1 PLC ± - 2 PLC ± - 3 PLC ± - 4 PLC ± - ANGLES ± -		PRODUCT SPEC	
MATERIAL	FINISH	APPLICATION SPEC	SIZE A3
		WEIGHT 1.5kg	CAGE CODE 00779
		DRAWING NO C=2-528040-3	
		RESTRICTED TO	
CUSTOMER DRAWING		SCALE 1:1	SHEET 1 OF 1
		REV E	