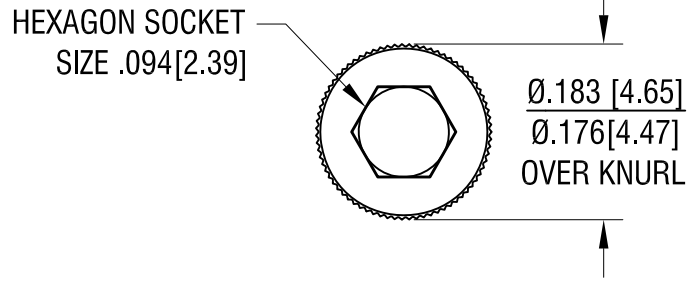
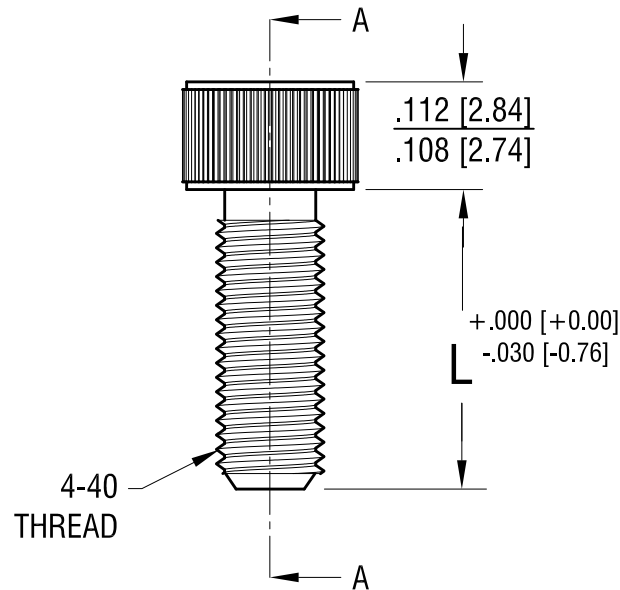


THIS DOCUMENT IS THE PROPERTY OF
KEYSTONE ELECTRONICS CORP. AND
SHALL NOT BE REPRODUCED, DISTRIBUTED
OR USED AS A BASIS FOR MANUFACTURE
WITHOUT PRIOR WRITTEN PERMISSION
FROM KEYSTONE ELECTRONICS CORP.

ACTUAL SIZE



P/N 21405



PART NUMBER	L +.000 [+0.000] -.030 [-0.76]
21403	.187 [4.75]
21404	.250 [6.35]
21405	.312 [7.92]
21406	.375 [9.52]
21408	.500 [12.70]
21410	.625 [15.87]
21412	.750 [19.04]

KEYSTONE ELECTRONICS CORP.

www.keyelco.com • NEW HYDE PARK, NY 11040 • Tel (516) 328-7500

PART NAME		SOCKET HEAD SCREW	
MATERIAL		TITANIUM, GRADE 2	
FINISH		DRN BY	DATE
NONE		NT	9.10.20
TOLERANCES		APP'D	SCALE
INCH	[MM]	RH	6X
DECIMAL	± .005 [± 0.13]	TOLERANCES	
ANGULAR	± 1°	CODE	DWG NO.
UNLESS OTHERWISE SPECIFIED		C	21403 - 21412

DATE	DESCRIPTION	REV.