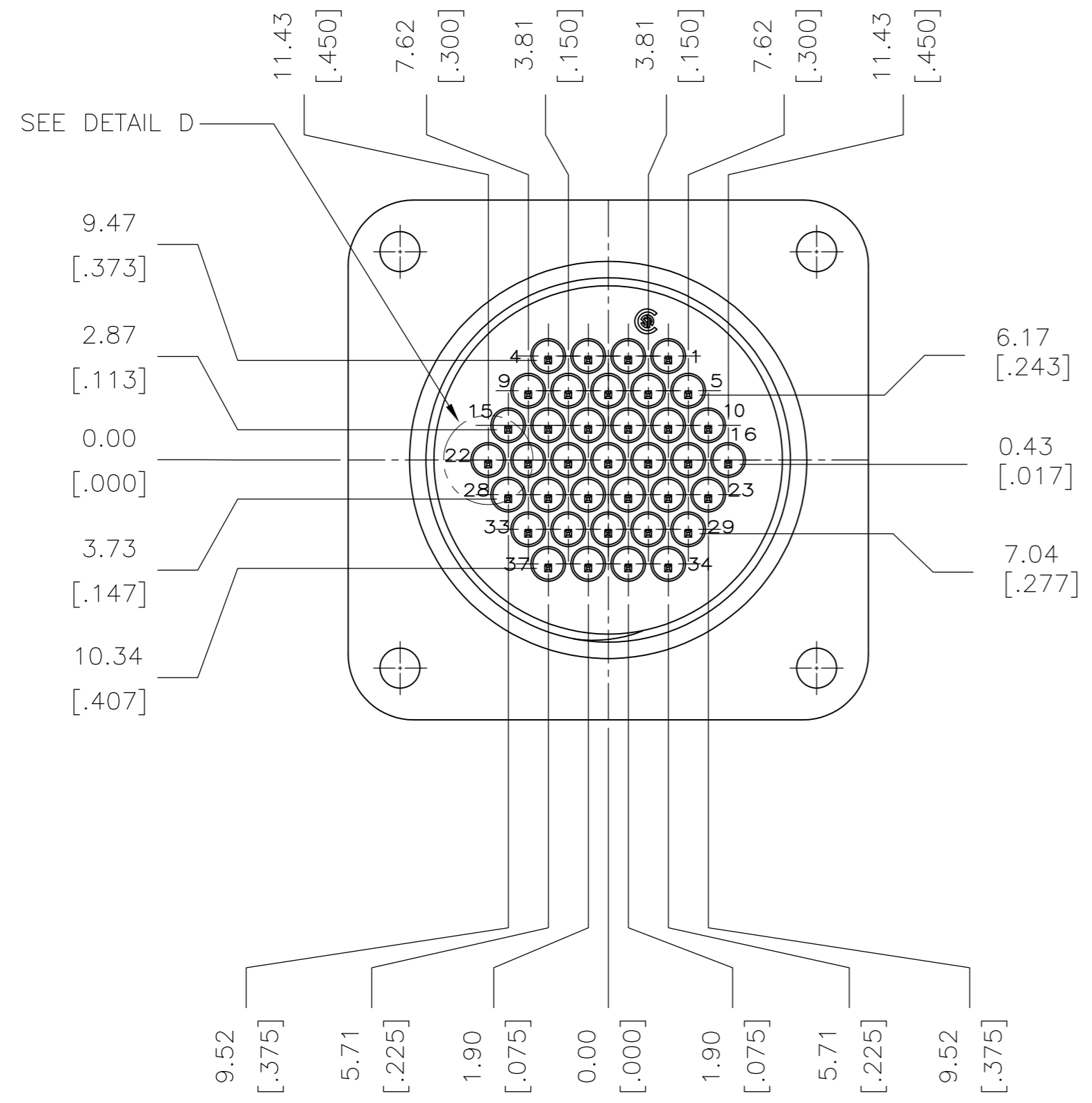


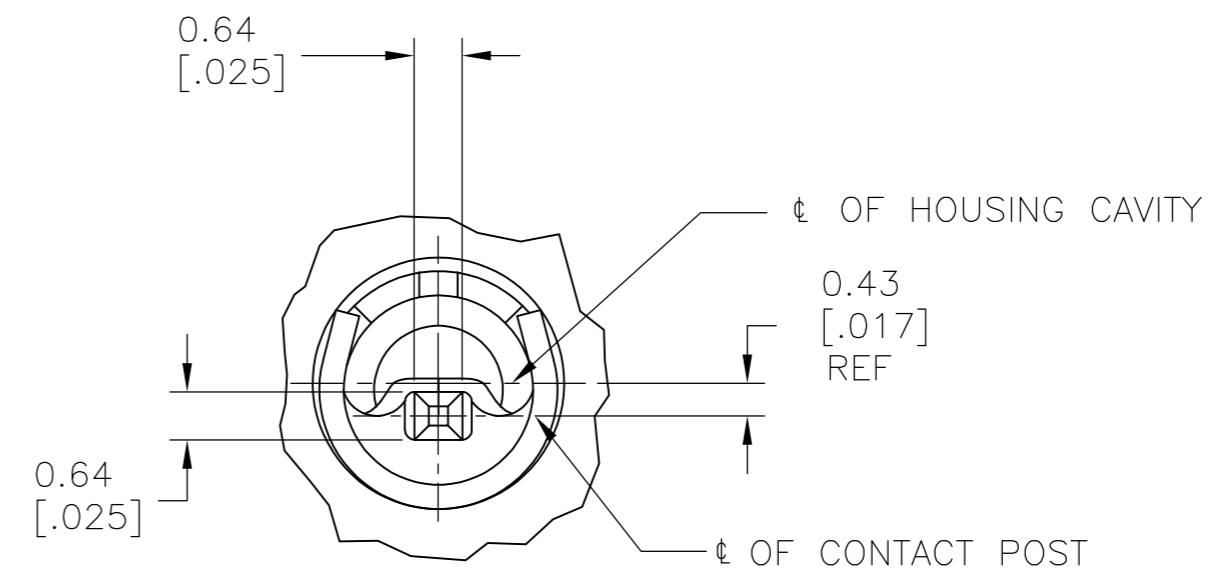


THIS DRAWING IS UNPUBLISHED. RELEASED FOR PUBLICATION  
 © COPYRIGHT - By - ALL RIGHTS RESERVED.

LOC		DIST		REVISIONS			
P	LTR	DESCRIPTION	DATE	DWN	APVD		
BD	35	SEE SHEET 1	-	-	-		



REAR VIEW



DETAIL D  
SCALE 10:1  
TYP

THIS DRAWING IS A CONTROLLED DOCUMENT.		DWN NAGALAKSHMI K 07JUN2014	TE Connectivity	
DIMENSIONS: mm [INCHES]		CHK ZITTO, MARK 07JUN2014		
TOLERANCES UNLESS OTHERWISE SPECIFIED:		APVD ZITTO, MARK 07JUN2014	NAME POSTED RECEPTACLE ASSEMBLY, STD SEX, SERIES 1, 28-37, CMC	
0 PLC ± - 1 PLC ± - 2 PLC ± 0.13[.005] 3 PLC ± - 4 PLC ± - ANGLES ± -		PRODUCT SPEC 108-10040	SIZE A2	CAGE CODE 00779
MATERIAL SEE CALLOUT		FINISH SEE CALLOUT	WEIGHT -	DRAWING NO C=2267123
		CUSTOMER DRAWING		RESTRICTED TO -
		SCALE 2:1	SHEET 2 OF 2	REV A