

6

5

4

3

2

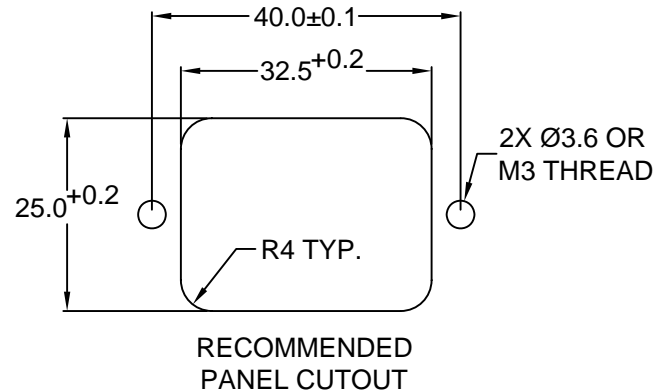
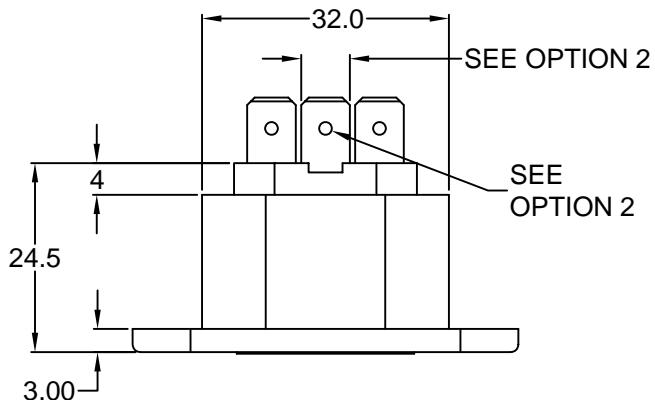
1

**MATERIAL AND FINISH:**

Insulator: Polycarbonate, UL-94V-0 rated  
Contacts: Brass

**ELECTRICAL SPECIFICATIONS:**

Current rating: 10 A/15 A  
Voltage rating: 250 VAC  
Insulation resistance: 100 Mohm min. at 500 VDC  
Dielectric withstanding voltage: 2000 VAC for one minute



**ORDERING CODE:**

43R03-1 \_ \_ \_  
1 2 3

**1) COLOR**

1 = BLACK  
2 = GRAY

**2) TERMINAL OPTIONS**

1 = .187(4.8) WITH Ø1.4  
2 = .250(6.3) WITH Ø1.65

**3) ELECTRICAL CIRCUIT CONFIGURATION**

1 = 10A 250V 70°C



15A 250V 70°C



2+GROUND

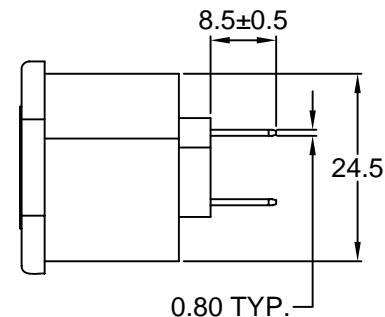
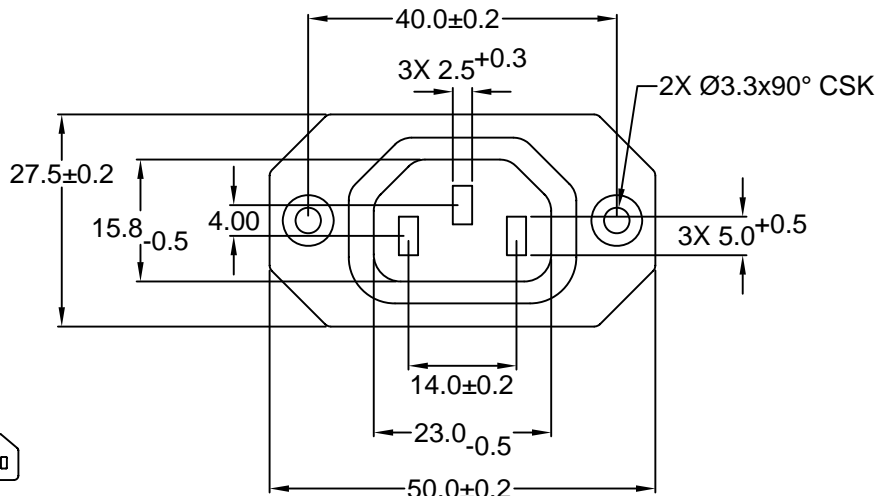
2 = 10A 250V 120°C



15A 250V 120°C



2+GROUND



**RoHS  
COMPLIANT**

TOLERANCE  
UNLESS OTHERWISE SPECIFIED  
X ± 1  
X.X ± 0.4  
X.XX ± 0.20

**Power Dynamics, Inc.**

Phone: 973 560-0019 Whippany, New Jersey Fax: 973 560-0076

PART: 10A/15A IEC 60320 APPL. OUTLET; QC  
TERMINALS; SIDE FLANGE, PANEL MOUNT

DRAWN BY	GQ	DATE:	10/05/01
CHECK BY	TD	DATE:	10/09/01
APPR BY	PB	DATE:	10/09/01

PART #: 43R03-1XXX		SHEET 1 of 1
SIZE: A	ALL DIMENSIONS FOR REFERENCE ONLY DIMENSIONS ARE IN MILLIMETERS	
SCALE: NTS	REV:	

REVISIONS	CHANGE	CHK	APPR
REV	DATE		

6

5

4

3

2

1