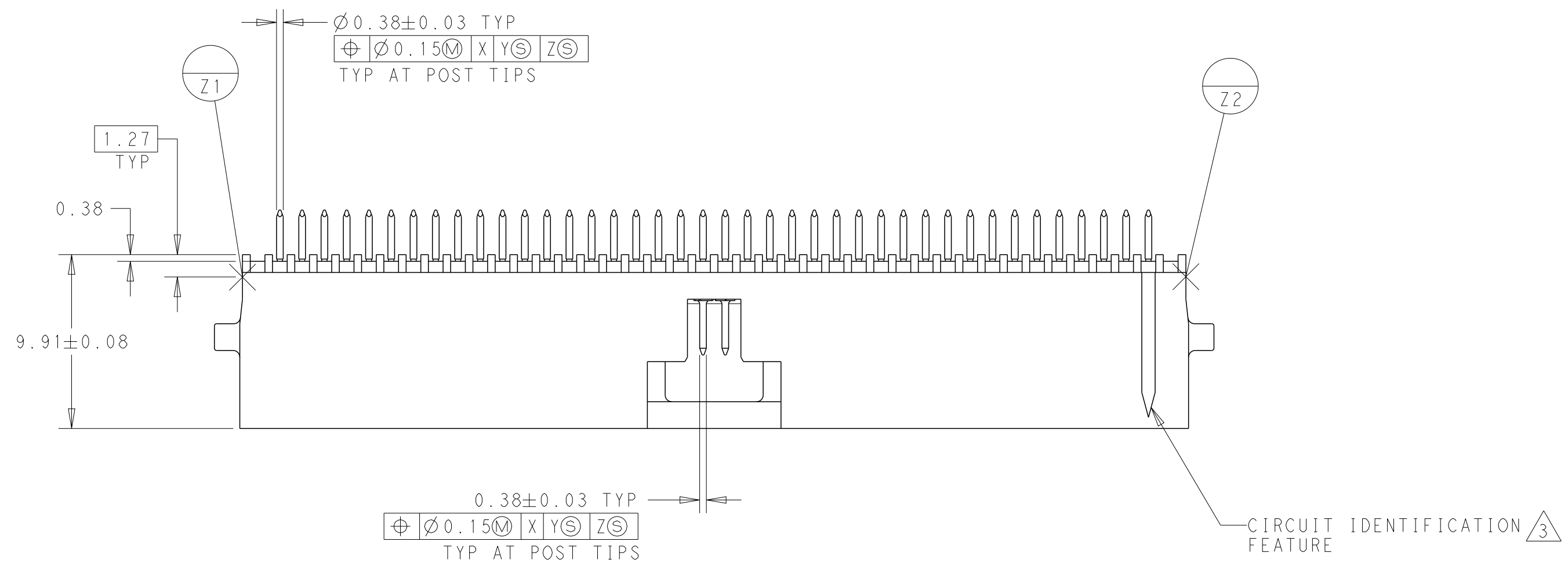
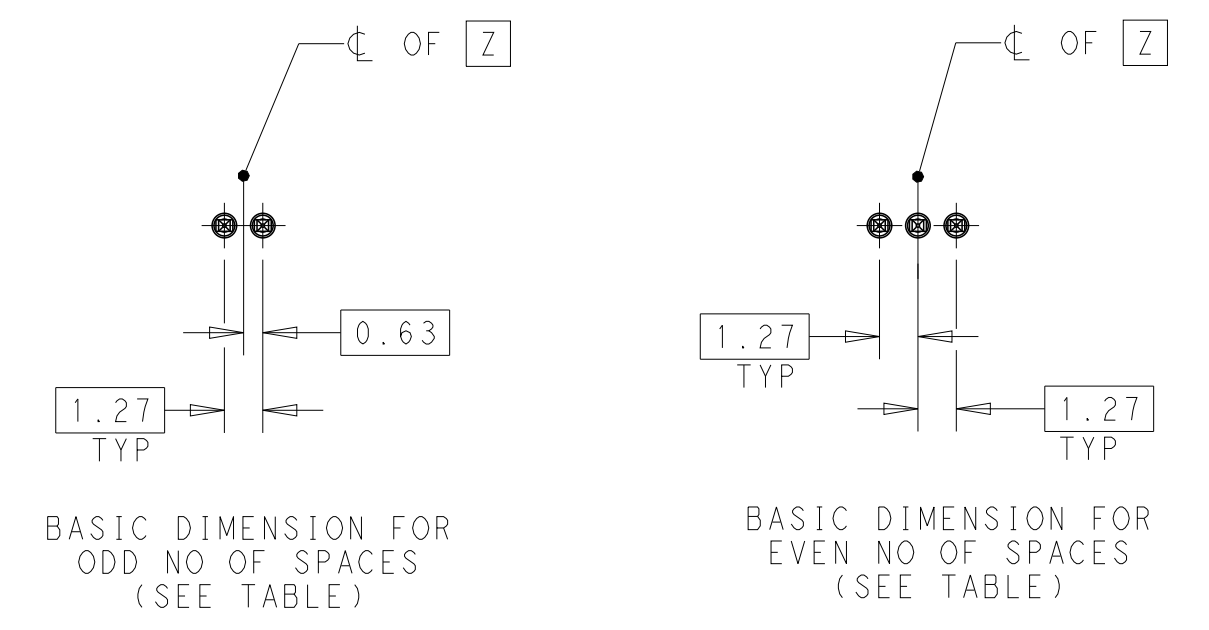
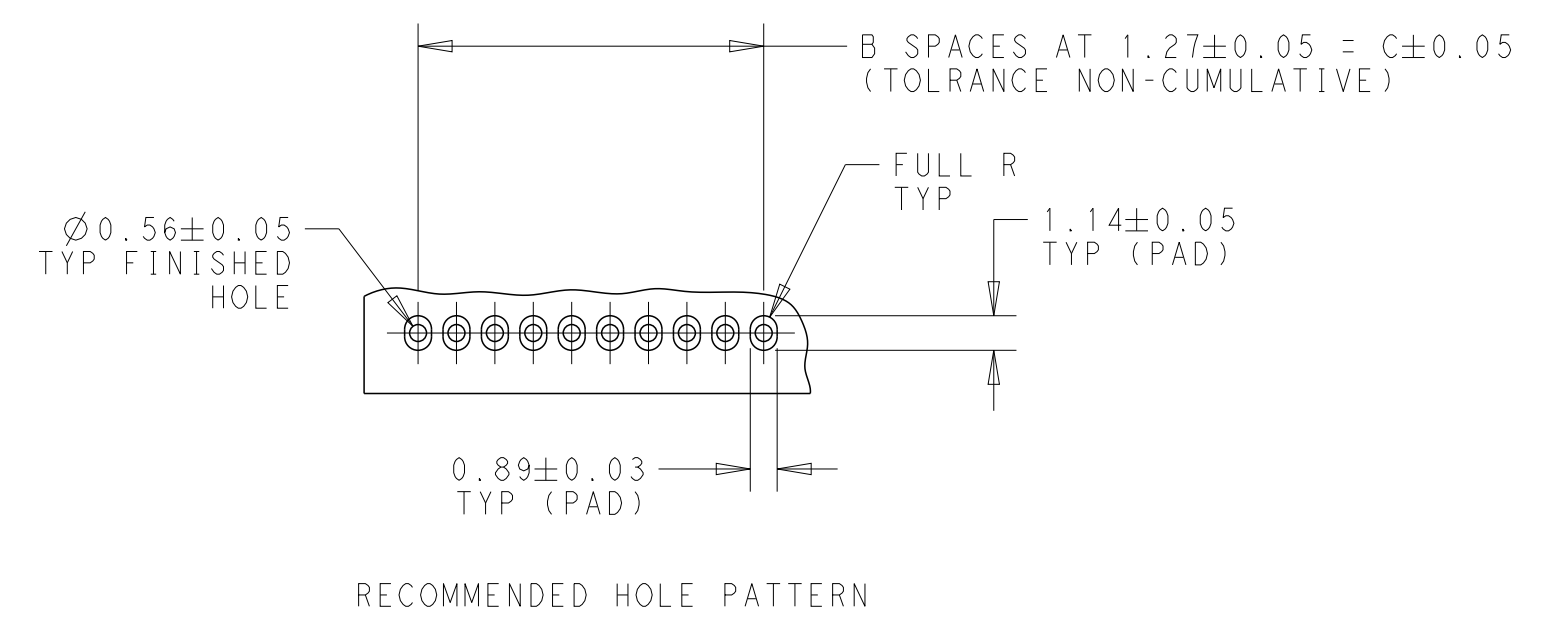
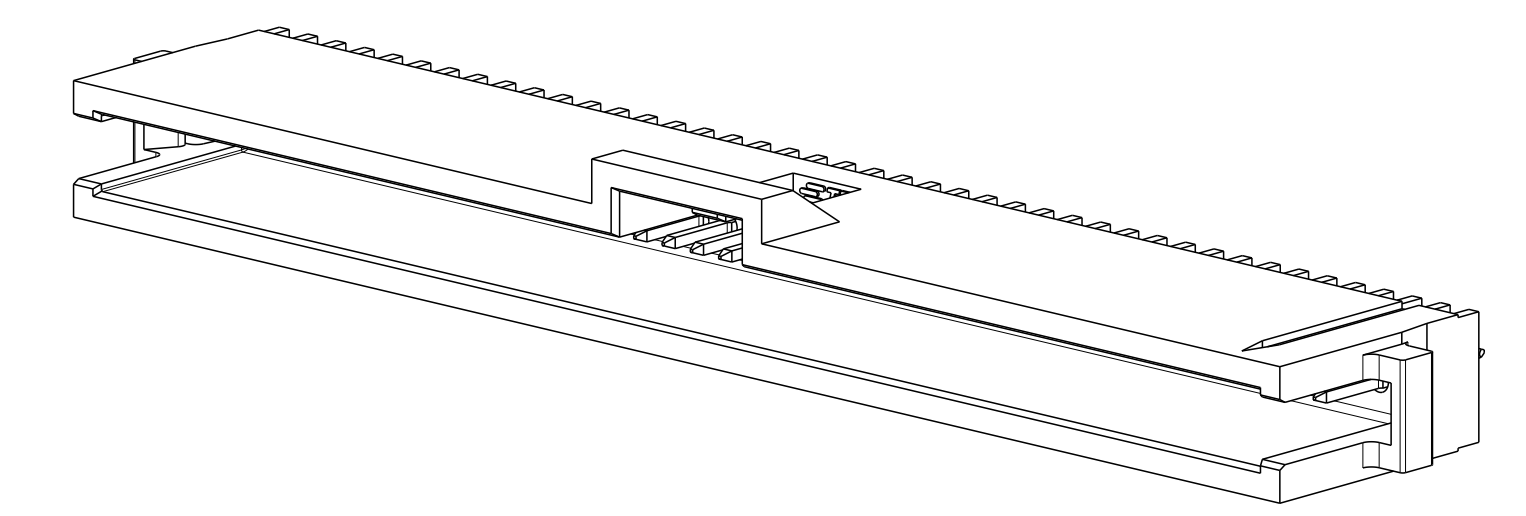
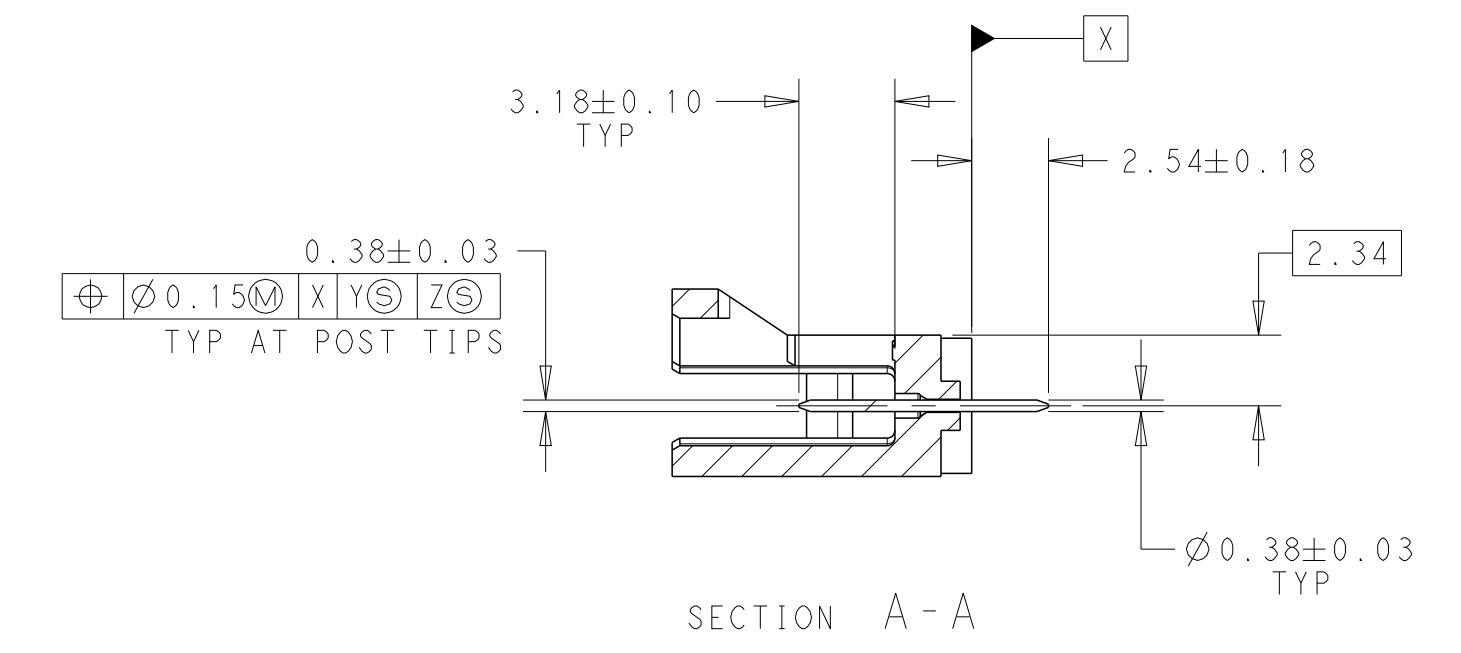
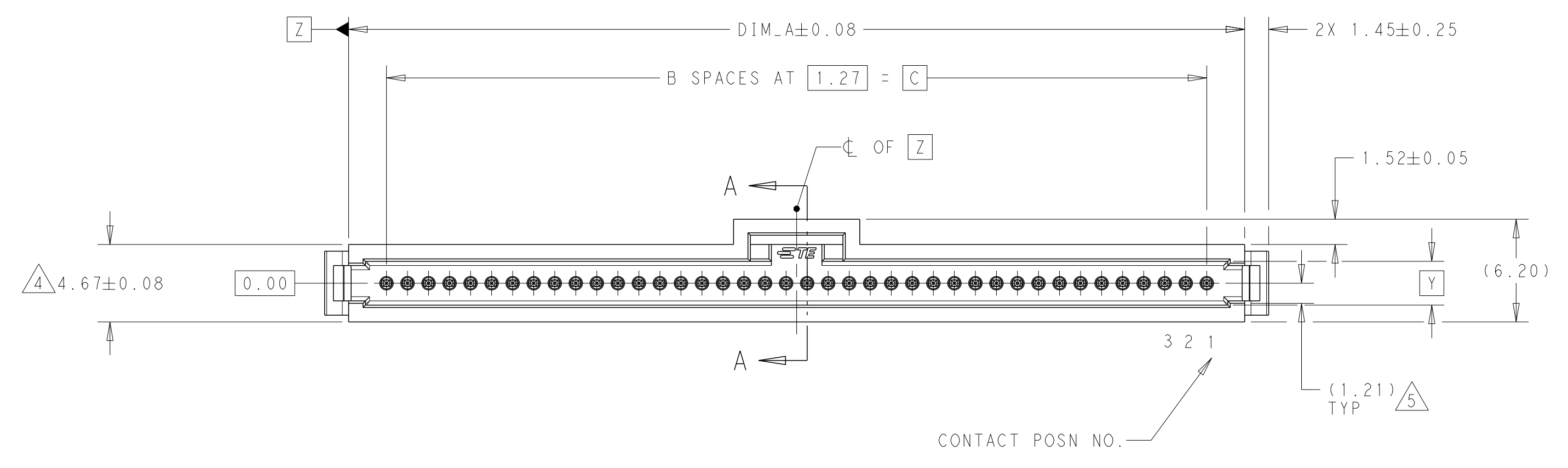


REVISIONS				
P	LTN	DESCRIPTION	DATE	APVD
D		REDRAWN/REVISED PER ECO-17-001745	27NOV2017	KS JO



- △1 CONTACT AREAS PLATED WITH 0.76µm GOLD, SOLDER TAILS PLATED WITH 3.81µm TIN-LEAD, ALL OVER 1.27µm NICKEL
- 2. NOTE DELETED.
- △3 CIRCUIT IDENTIFICATION FEATURE OMITTED ON 4,5,6, & 7 POSITION HEADER ASSEMBLIES
- △4 DIMENSION APPLIES AT BASE OF SHROUD
- △5 THE NOTED DIMENSIONS APPLY AT THE INTERSECTION OF THE POST & HOUSING
- 6. NOTE DELETED.
- △7 CONTACT AREAS PLATED WITH 0.76µm GOLD, SOLDER TAILS PLATED WITH 3.81µm TIN, ALL OVER 1.27µm NICKEL.
- △8 FINISH: 0.03µm MIN GOLD ON GOLD PLATED AREA, 3.8µm MATTE TIN-LEAD ON TIN PLATED AREA. UNDER PLATING TO BE 1.27µm NICKEL ON ENTIRE CONTACT. GOLD AND TIN PLATING MAY NOT OVERLAP.
- △9 FINISH: 0.03µm MIN GOLD ON GOLD PLATED AREA, 3.8µm MATTE TIN ON TIN PLATED AREA. UNDER PLATING TO BE 1.27µm NICKEL ON ENTIRE CONTACT. GOLD AND TIN PLATING MAY NOT OVERLAP.
- 10. NOTE DELETED.
- 11. NOTE DELETED.
- △12 MATERIAL- HOUSING:LCP, COLOR-BLACK
CONTACT:COPPER ALLOY



FINISH	CONTACTS OMITTED	DIM_C	B SPACES	DIM_A	NO OF POSN	PART NUMBER
△9	36, 37, 39	49.53	39	54.1	40	7-1571338-2
	2, 4, 5	49.53	39	54.1	40	7-1571338-1
△7	36, 37, 39	49.53	39	54.1	40	5-1571338-2
	2, 4, 5	49.53	39	54.1	40	5-1571338-1
△8	36, 37, 39	49.53	39	54.1	40	2-1571338-2
	2, 4, 5	49.53	39	54.1	40	2-1571338-1
△1	36, 37, 39	49.53	39	54.1	40	1571338-2
	2, 4, 5	49.53	39	54.1	40	1571338-1

THIS DRAWING IS A CONTROLLED DOCUMENT. DIMENSIONS: mm. TOLERANCES UNLESS OTHERWISE SPECIFIED: 0 PLC ±0.3, 1 PLC ±0.3, 2 PLC ±0.13, 3 PLC ±0.13, 4 PLC ±0.13, ANGLES ±0.5°.

APVD: J. OLSON, 27NOV2017. PRODUCT SPEC: 108-1093. APPLICATION SPEC: 114-25031. WEIGHT: -.

STE TE Connectivity. NAME: HEADER ASSEMBLY, SINGLE ROW, SELECT LOADED, AMPMODU SYSTEM 50. SIZE: A1. CAGE CODE: 100779. DRAWING NO: 1571338. SHEET 1 OF 1. REV D.