



ANATECH ELECTRONICS INC
RF & Microwave Filters & Products

72.5 MHz LC Band Pass Filter

Part Number: AE72.5B6102



Electrical Specifications

Center Frequency: 72.5 MHz
Bandwidth: 4 MHz Min.
Insertion Loss: 3.0dB Max.
Return Loss: 14dB Min.
Rejection: $\geq 70\text{dB}$ @ 57.5 MHz
Rejection2: $\geq 70\text{dB}$ @ 87.5 MHz

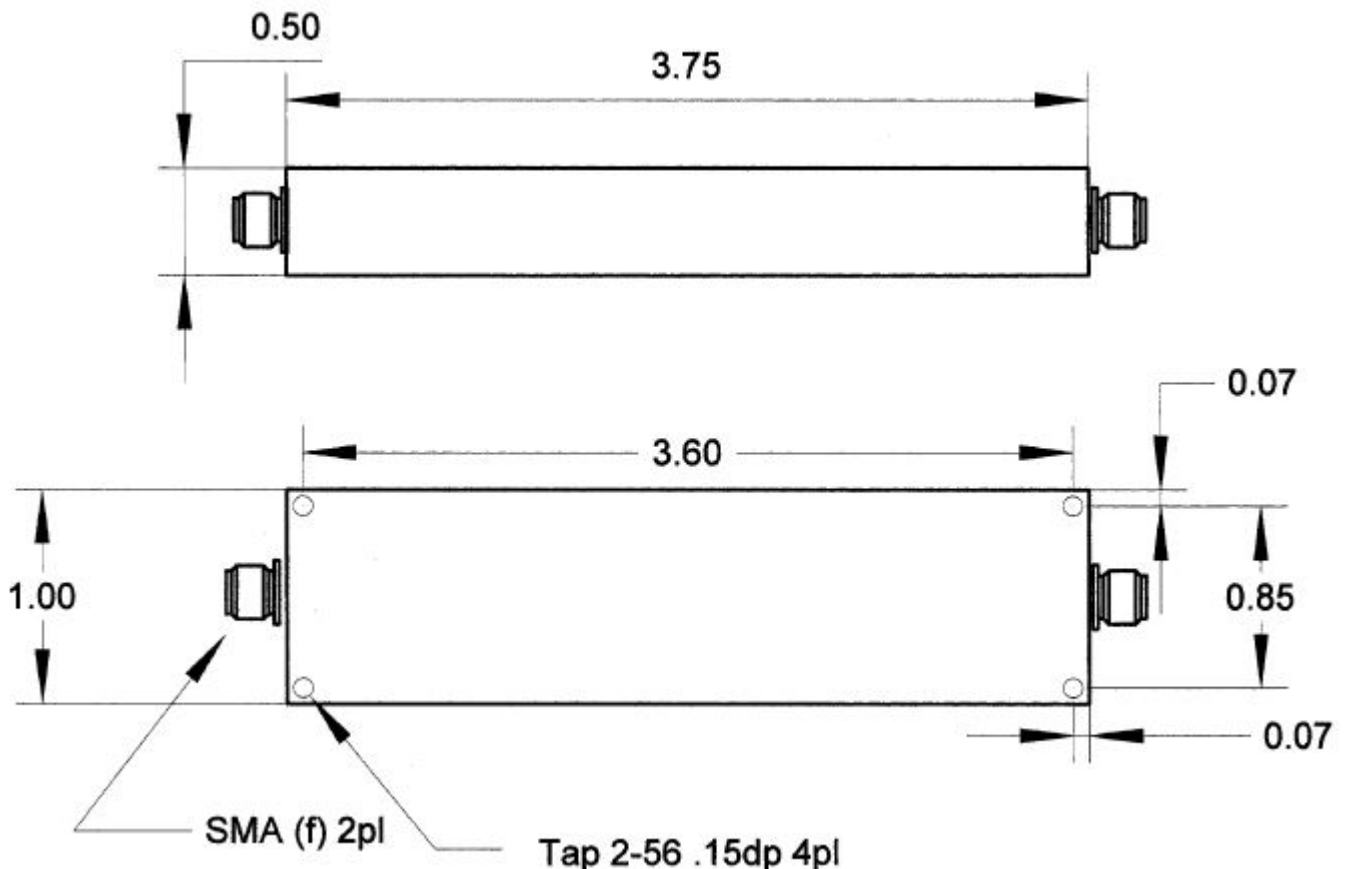
Mechanical

Connector Type: SMA(F)
Dimensions: 3.75" X 1.0" x 0.5" .

Environmental

Operating Temperature: -25°C to $+70^{\circ}\text{C}$
Storage Temperature: -40°C to $+90^{\circ}\text{C}$
Shock: 10 G. 11ms
Vibration: 10 G. 5 to 200Hz

Outline Drawing:





ANATECH ELECTRONICS INC
RF & Microwave Filters & Products

72.5 MHz LC Band Pass Filter

Part Number: AE72.5B6102

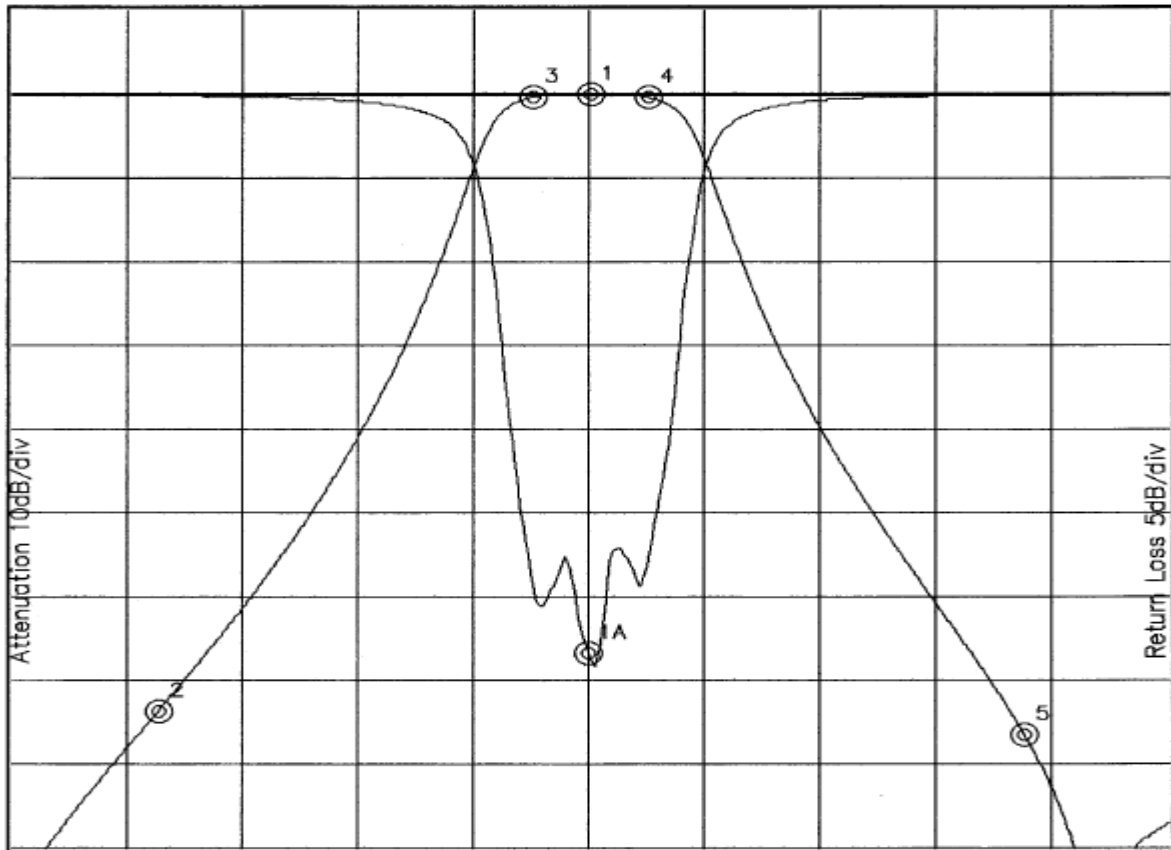


Response Plot:

B6102.lad

AUG 31, 2001

Attenuation/Return Loss



Attenuation Start: 52.50MHz Stop: 92.50MHz

Return Loss Start: 52.50MHz Stop: 92.50MHz

Offset -3.4782dB

Marker 1 Freq 72.532MHz Atten 0.077dB
Marker 2 Freq 57.540MHz Atten -74.058dB
Marker 3 Freq 70.529MHz Atten -0.450dB
Marker 4 Freq 74.536MHz Atten -0.498dB
Marker 5 Freq 87.524MHz Atten -76.932dB

Marker 1A Freq 72.468MHz Ret Loss -33.594dB