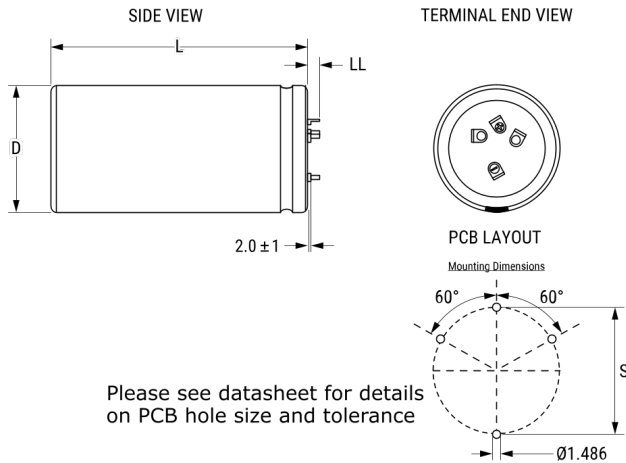


## ALF40C471DE400

Aliases (A534EG471M400C)

ALF40, Aluminum Electrolytic, 470 uF, 20%, 400 VDC, -40/+105°C



Click [here](#) for the 3D model.

### Dimensions

D	35mm +1mm
L	45mm +/-2mm
S	22.5mm +/-0.1mm
LL	5.5mm +/-1mm
F	1.486mm +/-0.076mm

### Packaging Specifications

Packaging	Bulk
Packaging Quantity	100

### General Information

Series	ALF40
Dielectric	Aluminum Electrolytic
Style	Press-Fit
Description	Press-Fit, Aluminum Electrolytic
RoHS	Yes
Lead	4 Pin Press-Fit
AEC-Q200	No
Component Weight	65 g
Notes	Dimensions Include Slewing.
Shelf Life	156 Weeks

### Specifications

Capacitance	470 uF
Capacitance Tolerance	20%
Voltage DC	400 VDC, 440 VDC (Surge)
Temperature Range	-40/+105°C
Rated Temperature	105°C
Life	8000 Hrs (Rated Voltage And Ripple Current At 105C), 13000 Hrs (Rated Voltage At 105C)
Resistance	300 mOhms (100Hz 20C), 192 mOhms (10kHz 20C)
Ripple Current	2.5 Amps (100Hz 105C), 4.73 Amps (10kHz 105C)
Leakage Current	564 uA (5min 20°C)