

MODEL: CPT-4013-100T | **DESCRIPTION:** PIEZO BUZZER TRANSDUCER

FEATURES

- high SPL
- externally driven
- through hole

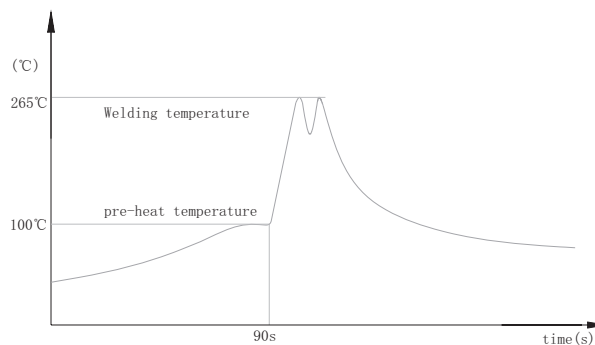

SPECIFICATIONS

parameter	conditions/description	min	typ	max	units
rated voltage			9		Vdc
operating voltage		5.5		16	Vdc
current consumption	at rated voltage, driven by RE46C100			30	mA
rated frequency		3,000		3,500	Hz
sound pressure level	at 30 cm, rated voltage, driven by RE46C100 at 300 cm, rated voltage, driven by RE46C100	100 85	108 92		dB dB
tone	continuous				
dimensions	Ø40.0 x 13.0				mm
weight				8.5	g
material	PBT+15% GF				
terminal	pins [tin plating]				
operating temperature		-25		85	°C
storage temperature		-25		85	°C
washable	no				
RoHS	yes				

Notes: 1. All specifications measured at 5-35°C, humidity at 45-85%, under 86-106 kPa pressure, unless otherwise noted.

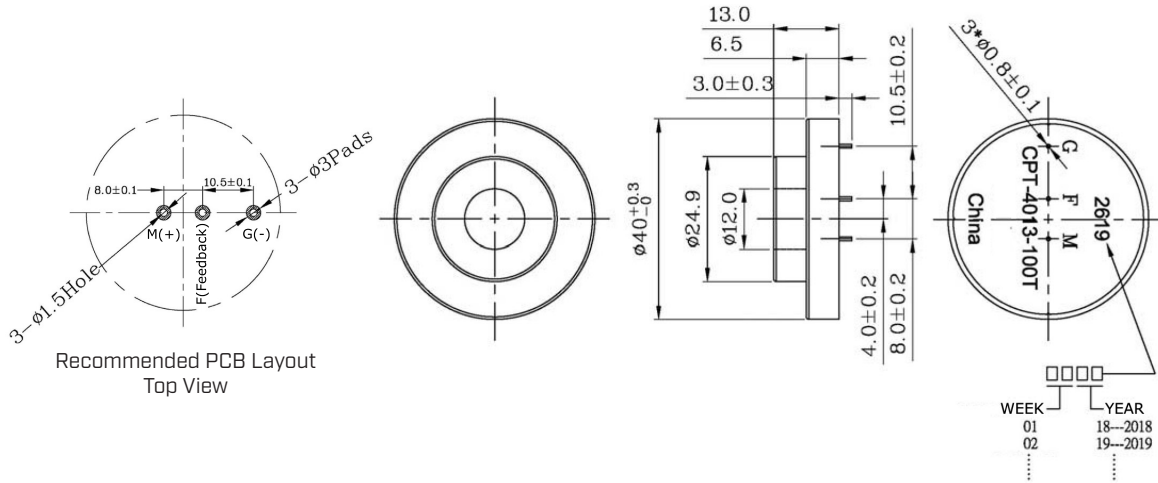
SOLDERABILITY

parameter	conditions/description	min	typ	max	units
hand soldering	maximum 4 seconds	380		410	°C
wave soldering				265	°C



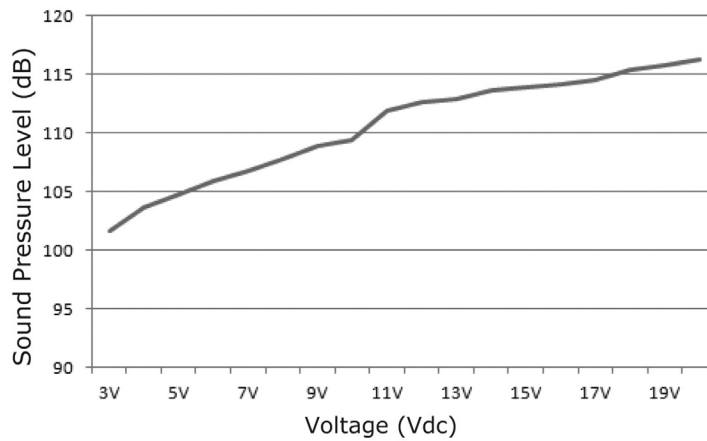
MECHANICAL DRAWING

units: mm
tolerance: ± 0.5 mm

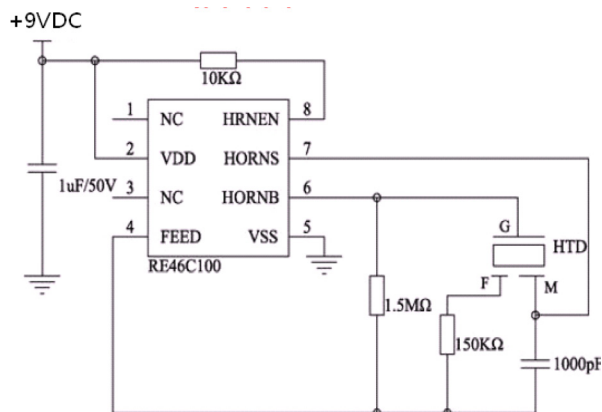


PERFORMANCE CURVES

Voltage vs. Sound Pressure Level
at 30 cm



DRIVING CIRCUIT

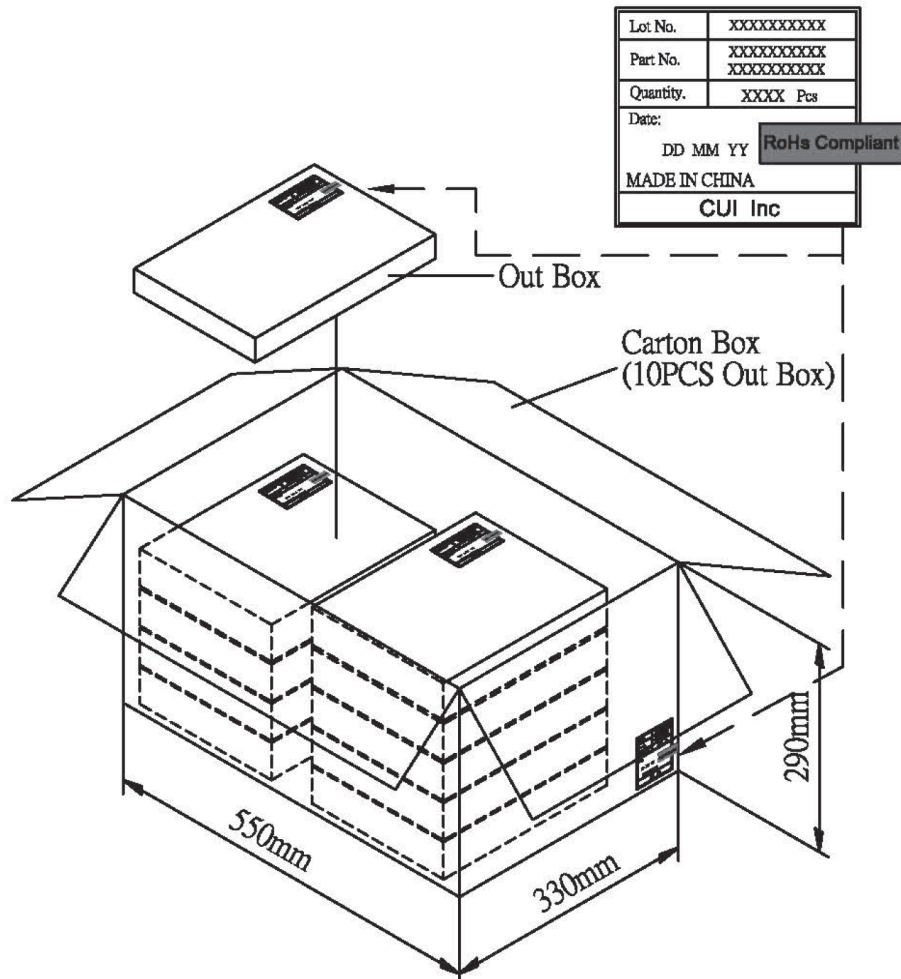
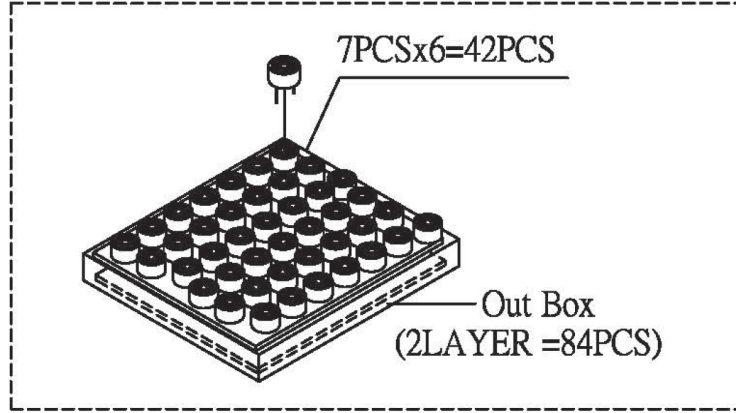


Notes: 1. The current consumption and the sound pressure level are measured by using the recommended driving circuit shown above.

PACKAGING

units: mm

Carton Size: 550 x 330 x 290 mm
 Carton QTY: 840 pcs per carton



REVISION HISTORY

rev.	description	date
1.0	initial release	12/11/2019
1.01	logo, datasheet style update	08/05/2022

The revision history provided is for informational purposes only and is believed to be accurate.



CUI Devices offers a one (1) year limited warranty. Complete warranty information is listed on our website.

CUI Devices reserves the right to make changes to the product at any time without notice. Information provided by CUI Devices is believed to be accurate and reliable. However, no responsibility is assumed by CUI Devices for its use, nor for any infringements of patents or other rights of third parties which may result from its use.

CUI Devices products are not authorized or warranted for use as critical components in equipment that requires an extremely high level of reliability. A critical component is any component of a life support device or system whose failure to perform can be reasonably expected to cause the failure of the life support device or system, or to affect its safety or effectiveness.

cuidevices.com