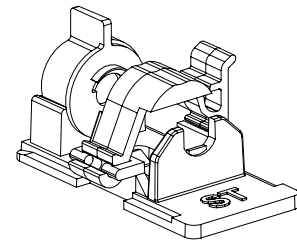
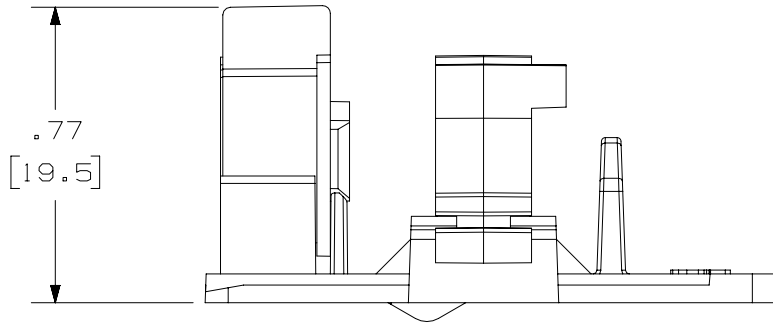
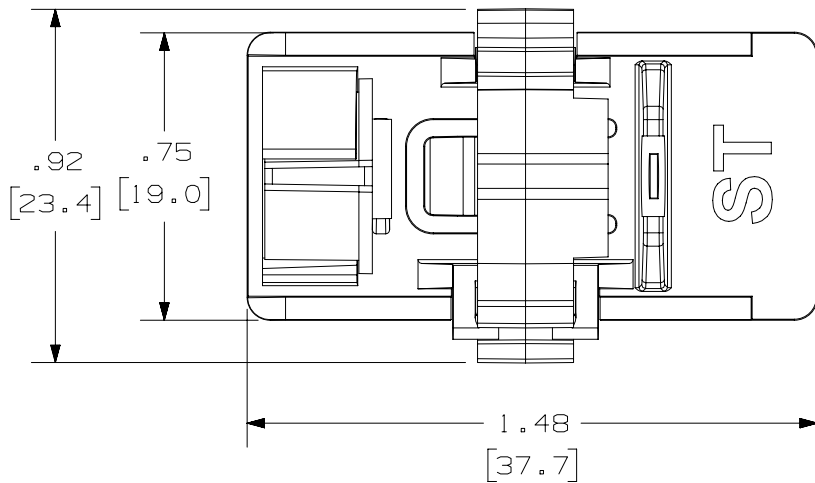
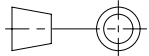


THIS COPY IS PROVIDED ON A RESTRICTED BASIS AND IS NOT TO BE USED IN ANY WAY DETRIMENTAL TO THE INTERESTS OF PANDUIT CORP.



NOTES:

1. SEE CURRENT CATALOG FOR ADDITIONAL PART NUMBER SUFFIXES TO INDICATE COLOR AND OR PACKAGE QUANTITY.
2. SEE CATALOG FOR COMPLETE LIST OF PARTS APPLICABLE FOR USE WITH THIS PART.
3. DIMENSIONS IN () ARE IN METRIC.
4. KIT CONTAINS:
 - 1- ST CONNECOTR CRADLE
 - 1- STRIPPING TEMPLATE
 - 1- ST OPTICAM INSTRUCTION

PART NUMBER		FSTC	
TITLE		OPITCAM ST TOOL CRADLE KIT	
		CUSTOMER DRAWING	
ITEM REVISION NAME		M01893AR/00	
DATASET FILE NAME		M01893AR_DC/00A	
UNLESS OTHERWISE SPECIFIED, DIMENSIONAL TOLERANCES ARE: IN (mm)		PANDUIT	
.X ± .XXX ± .XX ± ANGLES ±			
DRAWING NUMBER:		01893-28	
THIRD ANGLE PROJECTION			
DRAWN BY	DATE	CHK	SCALE
MC	07-19-05	JAWI	NONE
REV	DATE	BY	CHK
1	6/11/15	JSP	WJM
DESCRIPTION		ECN	
B. ADDED VIEWS OF SC CRADLE. A. REVISED DRAWING TITLE BLOCK.		01893-28	
APR			
SHT 1 OF 1		A	

D101000DA/14