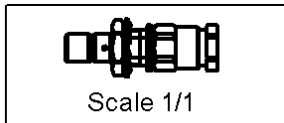
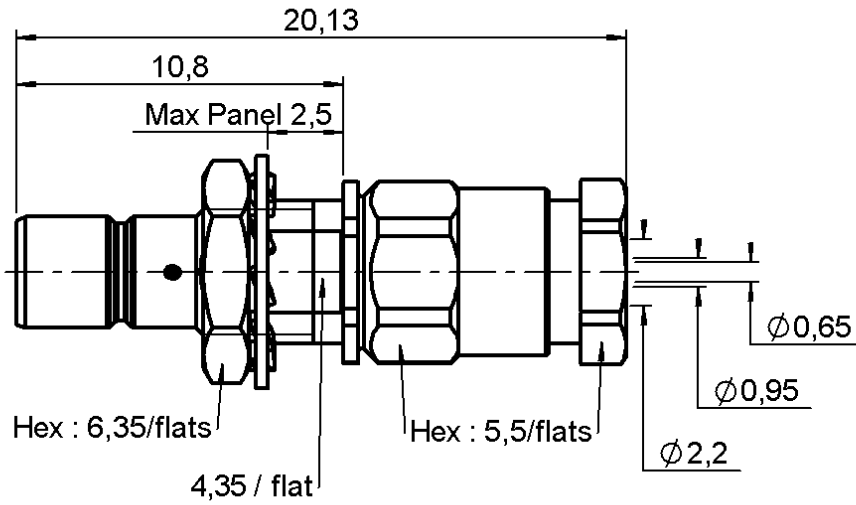


STRAIGHT BULKHEAD JACK CLAMP TYPE

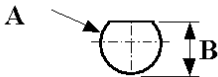
REAR MOUNT - CABLE 2/50 S

R114.303.133

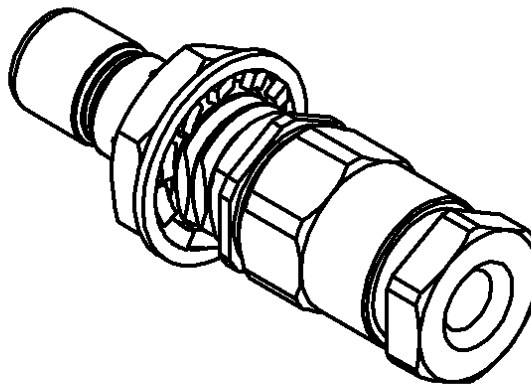
Series : SMB



PANEL CUT OUT



mm		
	Maxi	mini
A	5	4.9
B	4.55	4.45



All dimensions are in mm.



COMPONENTS	MATERIALS	PLATINGS (µm)
BODY	BRASS	GOLD 0.2 OVER NICKEL 2
CENTER CONTACT	BRASS	GOLD 1.3 OVER NICKEL 2
OUTER CONTACT	-	-
INSULATOR	PTFE	-
GASKET	-	-
OTHERS PARTS	BRASS	GOLD 0.2 OVER NICKEL 2
-	-	-
-	-	-

Issue : 0217 B

In the effort to improve our products, we reserve the right to make changes judged to be necessary.



STRAIGHT BULKHEAD JACK CLAMP TYPE

R114.303.133

REAR MOUNT - CABLE 2/50 S

Series : SMB

PACKAGING

Standard	Unit	Other
100	'W' option	Contact us

SPECIFICATION

ELECTRICAL CHARACTERISTICS

Impedance		50 Ω
Frequency		0-4 GHz
VSWR	1.30 +	0.040 x F(GHz) Maxi
Insertion loss		0.25 √F(GHz) dB Maxi
RF leakage	- (57 - F(GHz)) dB mini
Voltage rating		250 Veff Maxi
Dielectric withstanding voltage		750 Veff mini
Insulation resistance		1000 MΩ mini

CABLE ASSEMBLY

Stripping	a	b	c	d	e	f
mm	2.00	1.00	4.00	3.18	2.00	0.00

Assembly instruction :

Recommended cable(s)

RG 178
KX 21
RG 196
RG 178 LC

Cable retention

- pull off **58** N mini
- torque **NA** N.cm

MECHANICAL CHARACTERISTICS

Center contact retention		
Axial force – Mating end		10 N mini
Axial force – Opposite end		10 N mini
Torque		NA N.cm mini

TOOLING

Part Number	Description	Hexagon
.	.	.
R282.317.010	TORQUEMETER WRENCH5.5 MM	5.5

Recommended torque

Mating	NA N.cm
Panel nut	60 N.cm
Clamp nut	63 N.cm
A/F clamp nut	5.500 mm

Mating life	500 Cycles mini
Weight	2.700 g

OTHERS CHARACTERISTICS

ENVIRONMENTAL

Operating temperature	-65/+165 °C
Hermetic seal	NA Atm.cm3/s
Panel leakage	NA

Issue : 0217 B

In the effort to improve our products, we reserve the right to make changes judged to be necessary.



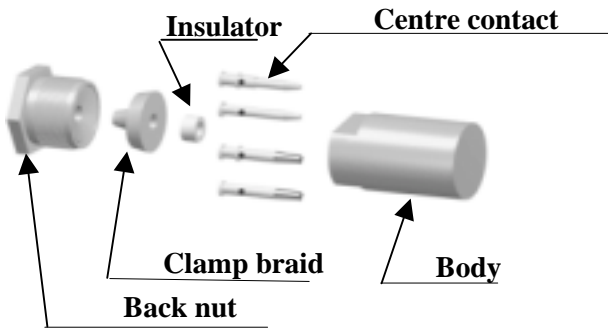
STRAIGHT BULKHEAD JACK CLAMP TYPE

R114.303.133

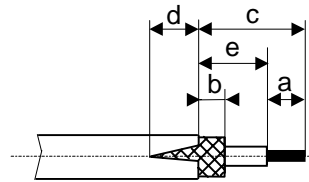
REAR MOUNT - CABLE 2/50 S

Series : SMB

COMPONENTS



STRIPPING DIMENSIONS



1

Slide the back nut onto the cable.
Strip the cable.
Cut 2 slots in the jacket if necessary.

4

Solder the centre contact onto the inner conductor.
Slide the back nut over the cable assembly.

2

Slide the clamp braid sleeve between the cable dielectric and the braid.

5

Screw sub-assembly into the connector body with the adapted wrench.
Recommended coupling torque (see connector TDS).

3

Cut the braid flush with the clamp braid sleeve.
Slide the spacer onto the cable.
Slide the centre contact on until it bottoms against the cable dielectric.

Issue : 0217 B

In the effort to improve our products, we reserve the right to make changes judged to be necessary.

