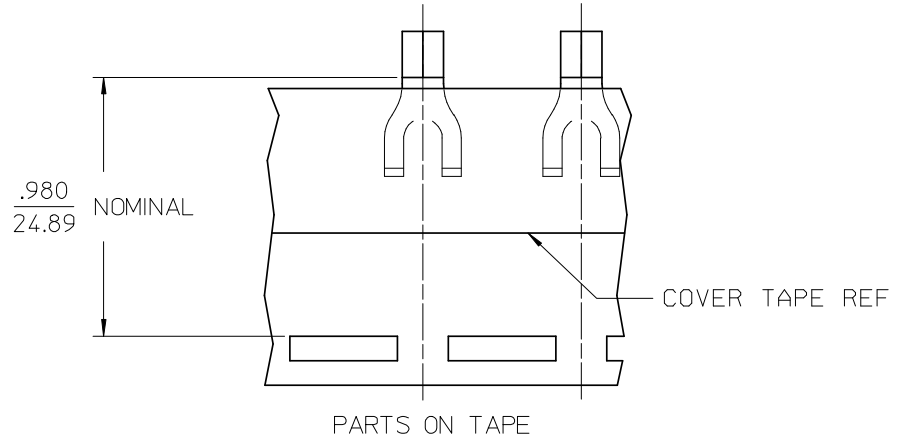
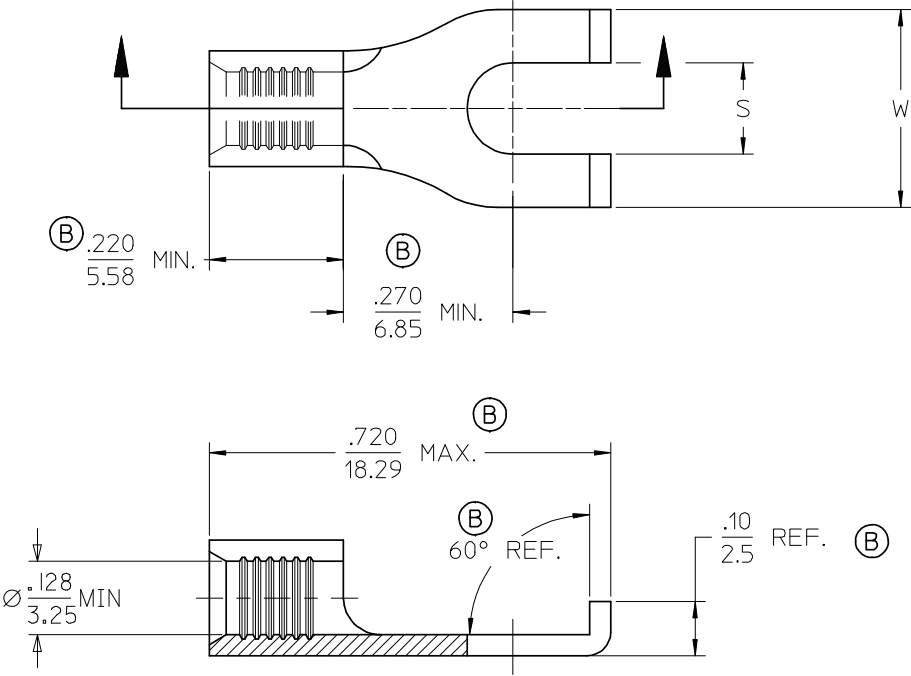


LOOSE PIECE		TAPE MOUNTED		STUD SIZE	S ±.005	W MAX
MATERIAL NUMBER	ENGINEERING NUMBER	MATERIAL NUMBER	ENGINEERING NUMBER			
191180084	C-117-06	191180130	C-117-06T	6	.146/3.71	.345/8.76 (B)
191180086	C-117-08	191180087	C-117-08T	8	.173/4.39	.385/9.78
191180088	C-117-10	191180090	C-1167-10T	10	.209/5.3 (B)	.385/9.78



SALES DRAWING

- NOTES:
1. MATERIAL: COPPER .040/1.02 THICK
 2. PLATING: ELECTRO-TIN
 3. PART IS RoHS COMPLIANT

ADD NOTE 3. REV. DIMS EC NO: ETC2008-0012 DRWN: RSTONE 2007/11/26 CHKD: JMACNEIL 2007/11/26 APPR: JMACNEIL 2007/12/05	QUALITY SYMBOLS ▽=0 ∇=0	GENERAL TOLERANCES (UNLESS SPECIFIED)		DIMENSION STYLE	SCALE	DESIGN UNITS	THIRD ANGLE PROJECTION	
			mm	INCH	IN/MM	4:1	INCH	
		4 PLACES	±---	±---	DRAWN BY	DATE	TITLE	
		3 PLACES	±---	±.005	BENDERLE	2005/02/07	FLANGED SPADE TERMINAL, KRIMPTITE, 12-10 AWG	
2 PLACES	±0.13	±.01	CHECKED BY	DATE				
1 PLACE	±0.25	±---	R DEROSS	2005/02/07				
ANGULAR ± 5 °		APPROVED BY		DATE	MOLEX INCORPORATED			
DRAFT WHERE APPLICABLE MUST REMAIN WITHIN DIMENSIONS		MATERIAL NO.		DATE	DOCUMENT NO.	SHEET NO.		
		SEE CHART		2005/02/07	SD-19118-002	1 OF 1		
		SIZE B		THIS DRAWING CONTAINS INFORMATION THAT IS PROPRIETARY TO MOLEX INCORPORATED AND SHOULD NOT BE USED WITHOUT WRITTEN PERMISSION				