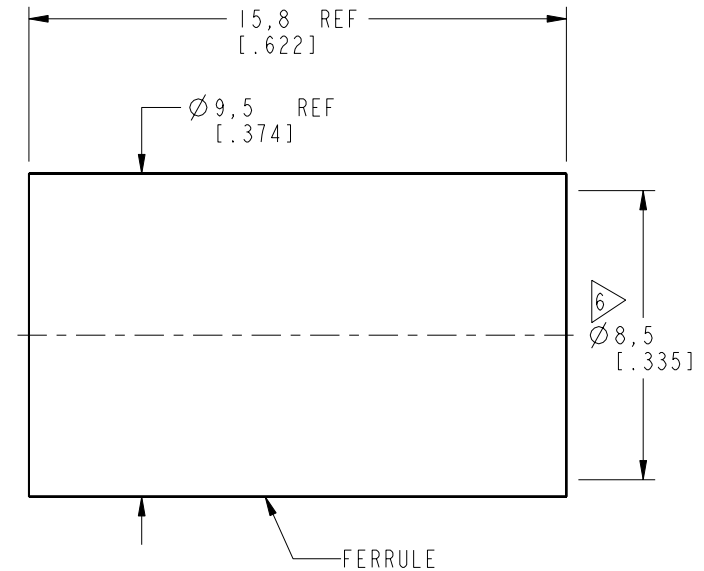
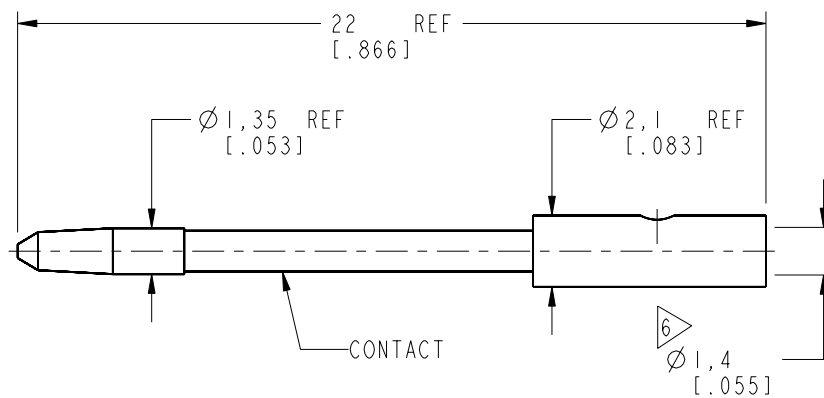
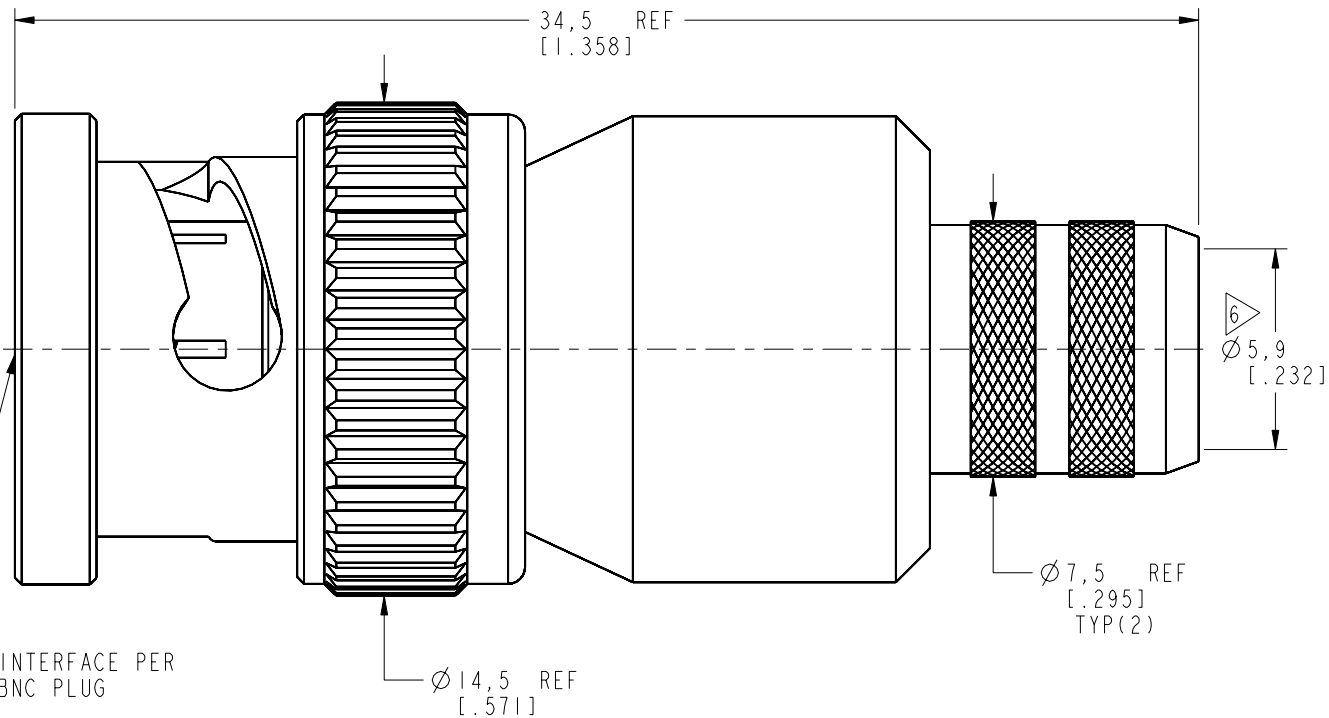
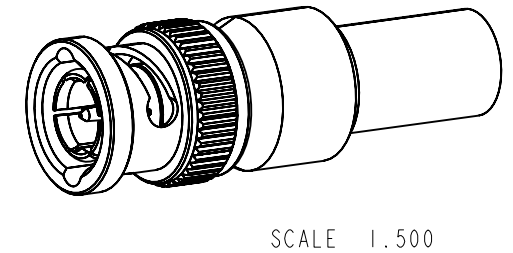
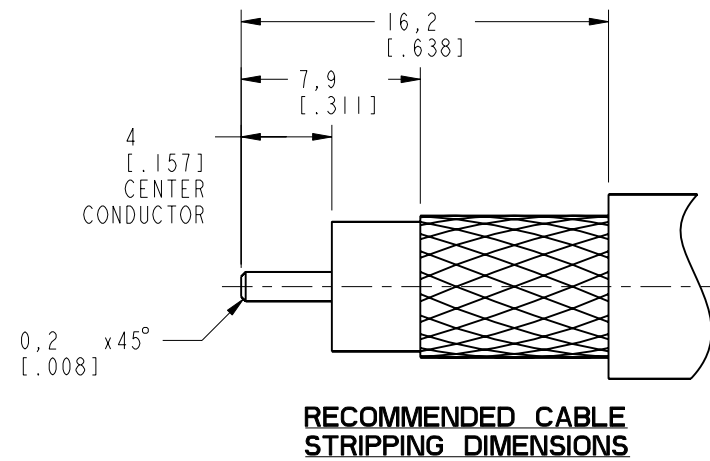


NOTES:

- 1. MATERIALS AND FINISHES:
 BODY, BARREL, SHELL, WASHER, & FERRULE - BRASS, NICKEL PLATING
 CONTACT - BRASS, GOLD PLATING
 OUTER CONTACT - BeCu, NICKEL PLATING
 SPRING - CARBON STEEL, NICKEL PLATING
 INSULATOR - PTFE, NATURAL
 GASKET - SILICONE RUBBER, RED
- 2. ELECTRICAL:
 A. IMPEDANCE: 75 OHM
 B. FREQUENCY RANGE: DC - 12 GHz
 C. RETURN LOSS: 23 dB MIN @ DC - 6 GHz
 19 dB MIN @ 6 - 12 GHz
- 3. MECHANICAL:
 A. DURABILITY: 500 CYCLES MIN.
 B. TEMPERATURE RANGE: -65°C TO +165°C

- 4. PACKAGING:
 A. QUANTITY: SINGLE PACK
 B. MARKING: BAG TO BE MARKED "AMPHENOL RF, 31-70534, AND DATE CODE"
 - 5. CABLE ASSEMBLY INSTRUCTIONS:
 A. TRIM CABLE AS SHOWN.
 B. SLIDE FERRULE ONTO CABLE.
 C. CRIMP CONTACT TO CABLE CENTER CONDUCTOR WITH 0.068" HEX DIE
 D. CRIMP FERRULE WITH 0.324" HEX DIE.
- 6 SHOWS CABLE ENTRY DIMENSIONS.

REVISIONS				
REV	DESCRIPTION	DATE	ECN	BY
A	RELEASE TO MFG.	18-Nov-16	2446	VK
B	RELEASE TO ARFA	6-Jun-22		SH



CUSTOMER OUTLINE DRAWING

ALL OTHER SHEETS ARE FOR INTERNAL USE ONLY

NOTICE: These drawings, specifications, or other data (1) are, and remain the property of Amphenol corp. (2) must be returned upon request; and (3) are confidential and not to be disclosed to any person other than those to whom they are given by Amphenol Corp. The furnishing of these drawings, specifications, or other data by Amphenol Corp., or to any other person to anyone for any purpose is not to be regarded by implication or otherwise in any manner licensing, granting rights to permitting such holder or any other person to manufacture, use or sell any product, process or design, patented or otherwise, that may in any way be related to or disclosed by said drawings, specifications, or other data.

UNLESS OTHERWISE SPECIFIED DIMENSIONS ARE METRIC (INCHES) AND TOLERANCES ARE:

<0.5mm = ±0.05mm	[<0.020 = ±0.002]
0.5 - 6mm = ±0.1mm	[0.020 - 0.236 = ±0.004]
>6.00 - 30mm = ±0.2mm	[>0.236 - 1.181 = ±0.008]
>30.00 - 120mm = ±0.3mm	[>1.181 - 4.725 = ±0.012]

ANGLES = ±1°

MATERIAL: SEE NOTES

TITLE: BNC STR CRIMP PLUG FOR BELDEN 4794R CABLE

ENGR.1: RAJAGOPAL N | ENGR.2: LONPON | DATE: 12-May-22

SHEET NO. 2 OF 2 | SCALE: 4.5:1.0

<p>Amphenol RF</p>		REV
		B
SIZE	DRAWING NO. 31-70534	REV
	ITEM NO. 31-70534	
	PART NO. 31-70534	